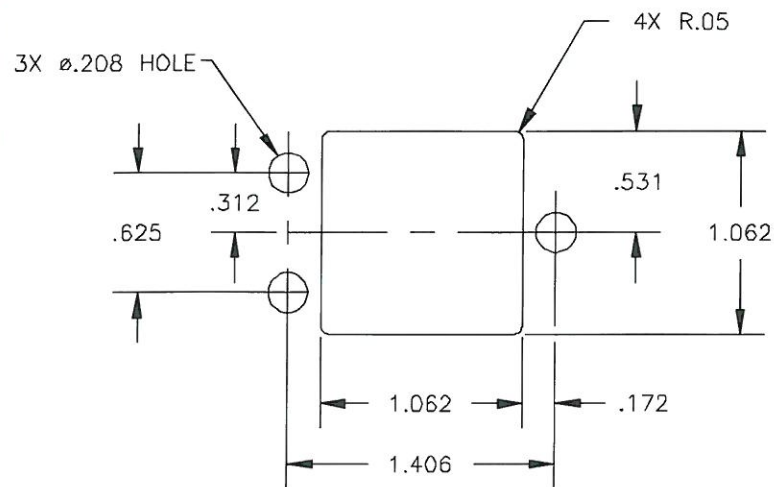
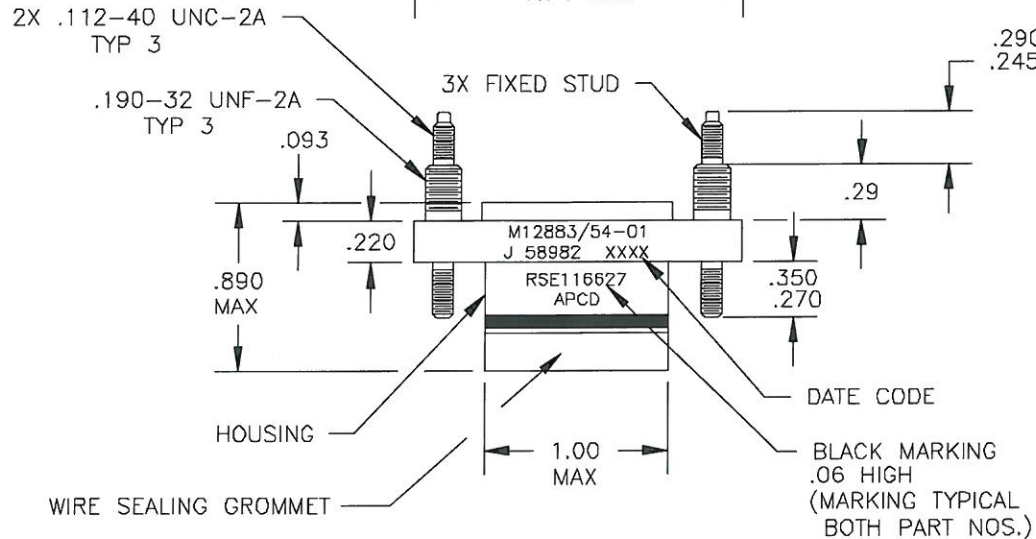
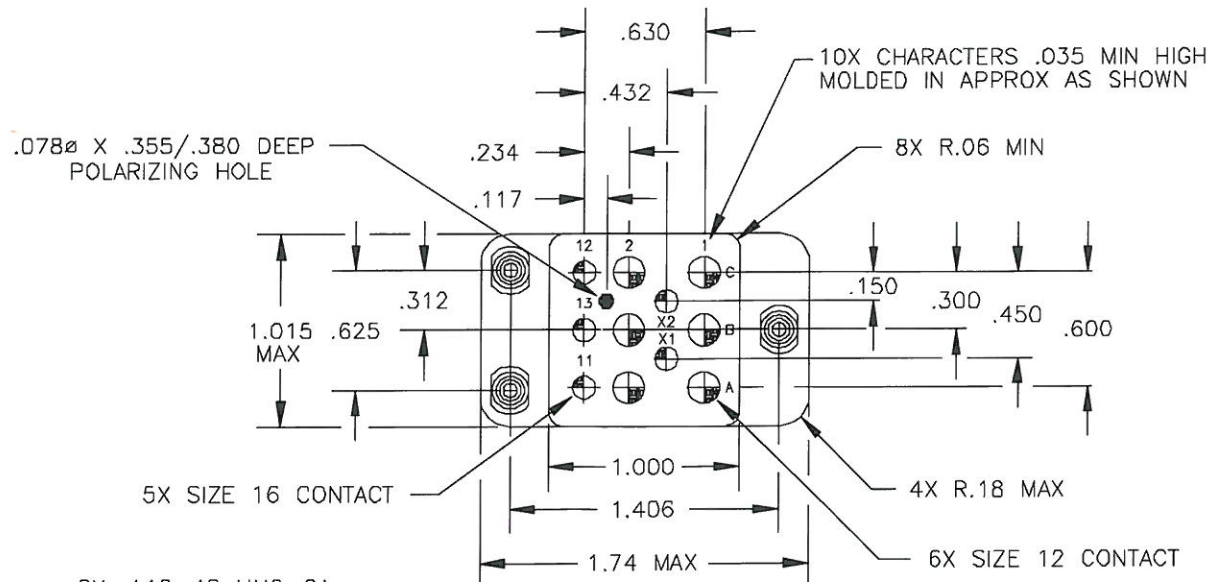


REV	ECN	APP'D
K	2949	JR 11/30/98
L	6750	<i>[Signature]</i> 10/9/11



RECOMMENDED MOUNTING PANEL HOLE



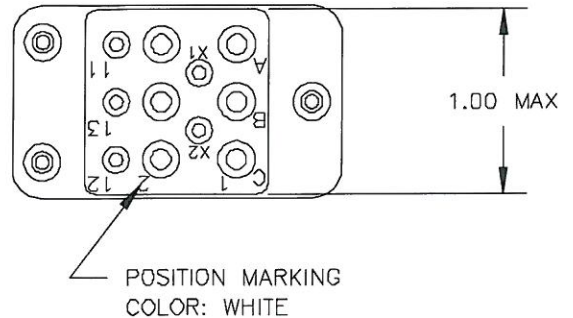
- MOUNTING STUD, FIXED; CRES, PASSIVATE.
- ⑥ .112-40 HEX LOCK NUT, STEEL, CAD PLATE; TORQUE TO 4±1 LB-IN.
- ⑤ #4 FLAT WASHER; STEEL, CAD PLATE.
- ④ .190-32 HEX LOCK NUT, STEEL, CAD PLATE; TORQUE TO 18±1 LB-IN.
- ③ #10 FLAT WASHER; STEEL, CAD PLATE.
- .093 MAX THK. PANEL.
- ① #4 FLAT WASHER; STEEL, CAD PLATE.
- ② .112-40 HEX LOCK NUT, STEEL, CAD PLATE; TORQUE TO 4±1 LB-IN.

MOUNTING HARDWARE

INSTALLATION SEQUENCE BY ITEM NUMBER TYP 3 PLACES

- NOTES:
- CONFORMS TO PERFORMANCE REQUIREMENTS OF MIL-DTL-12883.
  - MATERIALS:
    - A. HOUSING - POLYETHERIMIDE, COLOR: BLUE-GREEN.
    - B. GROMMET - SILICONE ELASTOMER, 50±10 DUROMETER, COLOR: RED.
  - SOCKET CONTACTS CONFORM TO PERFORMANCE REQUIREMENTS OF SAE-AS39029, GOLD OVER NICKEL PLATE - SEE TABLE.
  - COMPLETE MOUNTING HARDWARE SUPPLIED AS SHOWN.
  - OPERATING TEMPERATURE: +125°C/-65°C CONTINUOUS.
  - CONTACT INSTALLATION TOOLS:
 

	#12 CONTACT	#16 CONTACT
CRIMP TOOL:	M22520/1-01	M22520/1-01
POSITIONER:	M22520/1-02	M22520/1-02
INSERTION/REMOVAL:	M81969/14-04	M81969/14-03



PART NO.	CONTACTS SUPPLIED		MARKING
	SZ 12/12 M39029/92-535	SZ 16/16 M39029/92-533	
RSE116626	-	-	RSE116627
RSE116627	6	5	

DIMENSIONS ANSI Y14.5M UNITS: INCHES ACAD FILE	TOLERANCES .XX ±.01 .XXX ±.005 ANGLES ±2°	PROJECTION 	<h3>Amphenol Pcd</h3> SPECIFICATION DRAWING ENGR A. PATRIE 11/23/98 CHKD <i>[Signature]</i> 10/4/11 APP'D <i>[Signature]</i> 10/9/11	TITLE <h2 style="text-align: center;">RELAY SOCKET</h2> <h3 style="text-align: center;">3 POLE, 25 AMP</h3> <h3 style="text-align: center;">(6) SZ 12, (5) SZ 16</h3>		
ORIGINAL 	THIS DOCUMENT CONTAINS PROPRIETARY INFORMATION WHICH IS THE CONFIDENTIAL PROPERTY OF AMPHENOL PCD, BEVERLY, MA, USA			SIZE B	DWG NO. RSE116626	REV L
		CODE: 58982		SCALE: 1X	SHEET 1 OF 1	

RSE116626

RSE116626