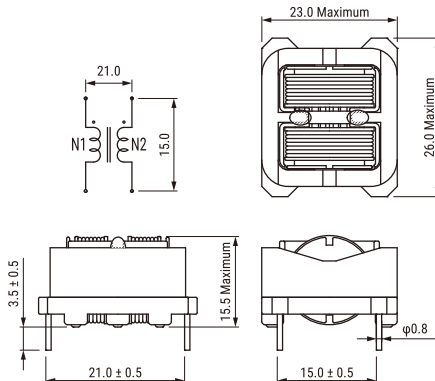


KEMET Part Number: SSHB21H-R20094
(UALSB2R2009400)

KEMET, SSHB21H, AC Line Filters, Dual Mode, 9400 uH



Dimensions

L	26mm MAX
T	23mm MAX
H	15.5mm MAX
LL	3.5mm +/-0.5mm
S	21mm +/-0.5mm

Packaging Specifications

Packaging:	Tray
Packaging Quantity:	360
Weight:	14 g

General Information

Series:	SSHB21H
Style:	Through-Hole
RoHS:	Yes
Notes:	Marking: R20 Lot No.
Miscellaneous:	Temperature Rise Maximum: 65 K

Specifications

Voltage AC:	250 VAC
Inductance:	9.4 mH (10 kHz)
Current:	2 A
Temperature Range:	-25/+120°C
DC Resistance:	170 mOhms