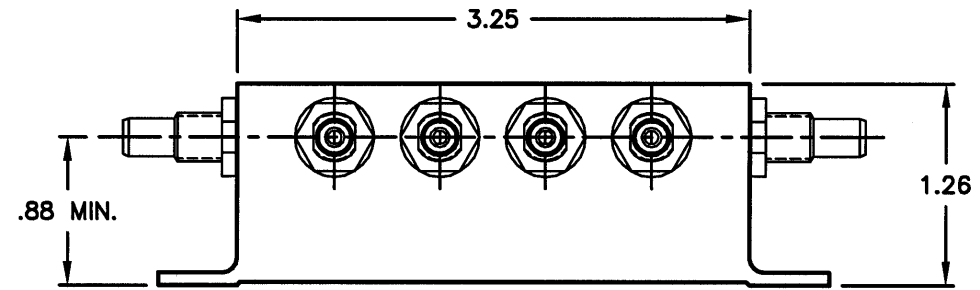
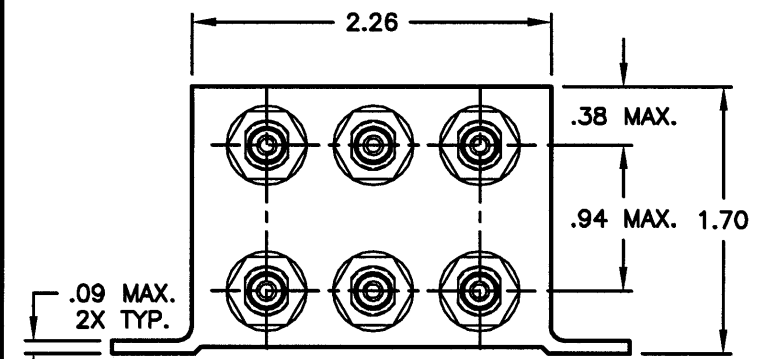
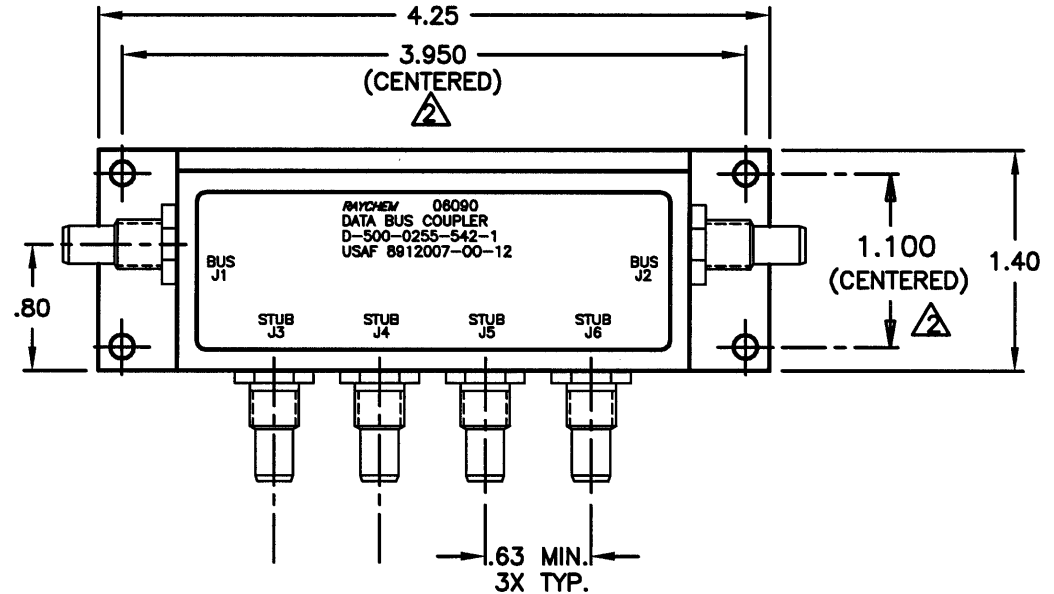
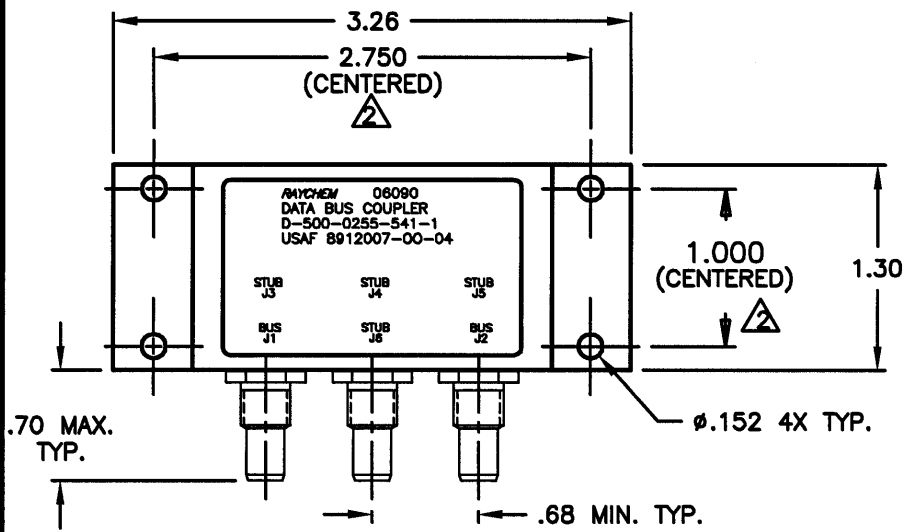


| REVISIONS |                                  |           |          |
|-----------|----------------------------------|-----------|----------|
| LTR       | DESCRIPTION                      | DATE      | APPROVED |
| N/C       | INITIAL RELEASE PER ECN# T-16893 | 92 JAN 15 | Z. TEMAN |
| A         | REVISED PER ECN# T-20120         | 95 Jan 7  | Z. TEMAN |



**FACE MOUNT BUS CONFIGURATION**  
D-500-0255-541-1

**SIDE MOUNT BUS CONFIGURATION**  
D-500-0255-542-1

- ③ WEIGHT: D-500-0255-541-1 150 grams MAX.  
D-500-0255-542-1 170 grams MAX.
- ② HOLE PATTERN MACHINED SYMMETRIC TO MOUNTING FLANGE.
- 1. ORIENTATION OF CONNECTORS IS APPROXIMATELY AS SHOWN.

NOTES: If this document is printed it becomes uncontrolled. Check for the latest revision.

**SPECIFICATION CONTROL DRAWING**

|   |             |         |           |                        |  |         |   |                 |       |          |                      |     |
|---|-------------|---------|-----------|------------------------|--|---------|---|-----------------|-------|----------|----------------------|-----|
| UNLESS OTHERWISE SPECIFIED DIMENSIONS ARE IN INCHES. METRIC DIMENSIONS ARE IN BRACKETS. | DRAWN       | J.B.K.  | 91 NOV 4  | tyco<br>Electronics    | Tyco Electronics Corporation<br>300 Constitutional Drive<br>Menlo Park, CA 94025 USA | Raychem |   |                 |       |          |                      |     |
|   | CHECKED     |         |           |                        |  |         |   |                 |       |          |                      |     |
|   | APPROVED    |         |           | TITLE                  | 4 STUB<br>DATA BUS BOX COUPLER<br>WITH THREADED TRIAXIAL CONNECTORS                  |         |   |                 |       |          |                      |     |
|   | APPROVED    | Z.TEMAN | 92 JAN 15 | CAD NAME               | 009153-1   | SIZE    | A | CODE IDENT. NO. | 06090 | DWG. NO. | D-500-0255-541/542-1 | REV |
| DECIMALS  | .XXX ± .010 | [— mm]  |           |                        |  |         |   |                 |       |          |                      |     |
|   | .XX ± .03   | [— mm]  |           |                        |  |         |   |                 |       |          |                      |     |
| ANGLES  | .X ± —      |         |           |                        |  |         |   |                 |       |          |                      |     |
| WEIGHT  | ③           |         |           | THIRD ANGLE PROJECTION | DO NOT SCALE THIS DRAWING  |         |   | SHEET 1 OF 2    |       |          |                      |     |

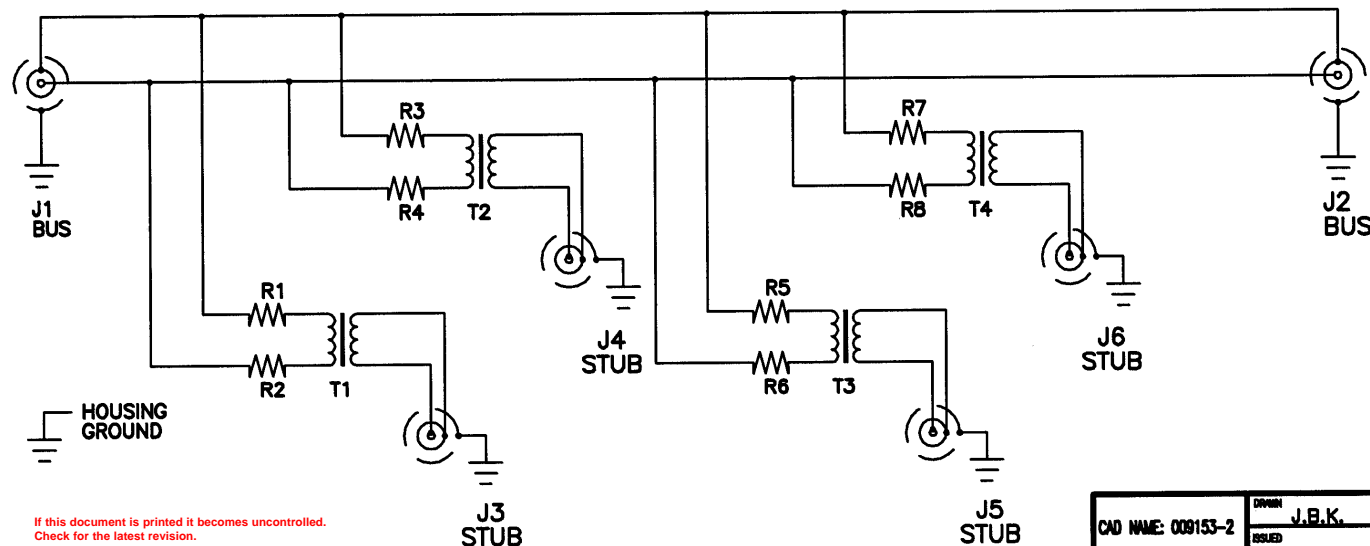
1.0 INTERMATEABILITY

| BUS JACKS<br>J1 AND J2           | MATING PLUG                      |
|----------------------------------|----------------------------------|
| DK-621-0412-P<br>(8340711-00-01) | DK-621-0411-S<br>(8340709-00-02) |

| STUB JACK<br>J3, J4, J5 & J6     | MATING PLUG                      |
|----------------------------------|----------------------------------|
| DK-621-0412-S<br>(8340711-00-02) | DK-621-0411-P<br>(8340709-00-01) |

2.0 PERFORMANCE

- 2.1 THIS COUPLER IS DESIGNED TO MEET THE APPLICABLE FUNCTIONAL REQUIREMENT OF RAYCHEM SPECIFICATION D-6021 AND USAF 8912007.
- 2.2 THE COUPLER SHALL OPERATE UNDER ANY OF THE ENVIRONMENTAL SERVICE CONDITIONS AS SPECIFIED IN MIL-E-5400, CLASS  $\nabla$  UPGRADED TO 125°C CONTINUOUS OPERATION.
- 2.3 ALTITUDE: SEA LEVEL TO 75,000 FEET

SCHEMATIC DIAGRAM

If this document is printed it becomes uncontrolled.  
Check for the latest revision.

|                    |                 |                  |                           |                          |                                  |
|--------------------|-----------------|------------------|---------------------------|--------------------------|----------------------------------|
| CAD NAME: 009153-2 | DRAWN<br>J.B.K. | DATE<br>91 NOV 5 | SIZE<br>A                 | CODE IDENT. NO.<br>06090 | DWG. NO.<br>D-500-0255-541/542-1 |
|                    | ISSUED          | DATE             | DO NOT SCALE THIS DRAWING |                          | SHEET 2 OF 2                     |