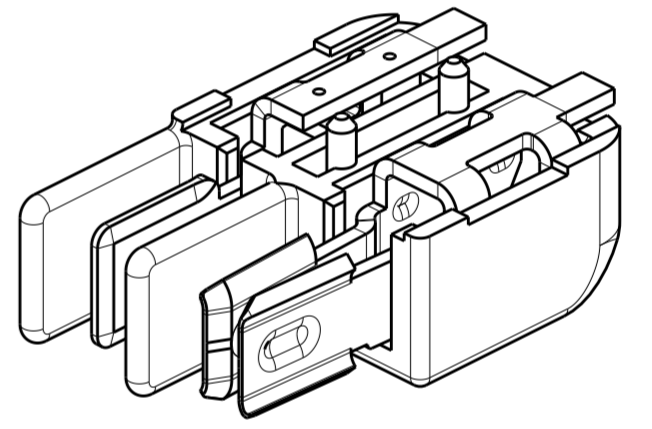
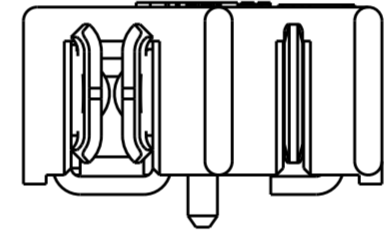
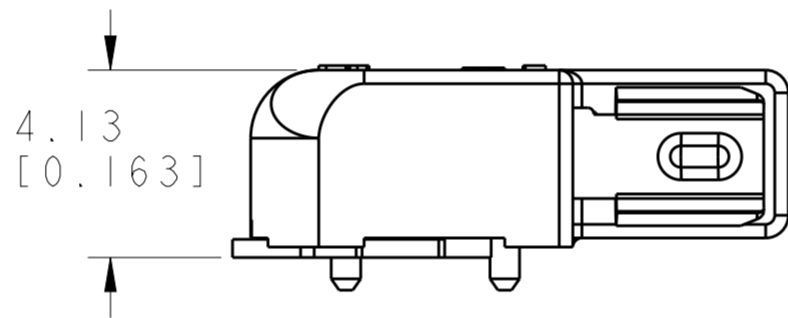
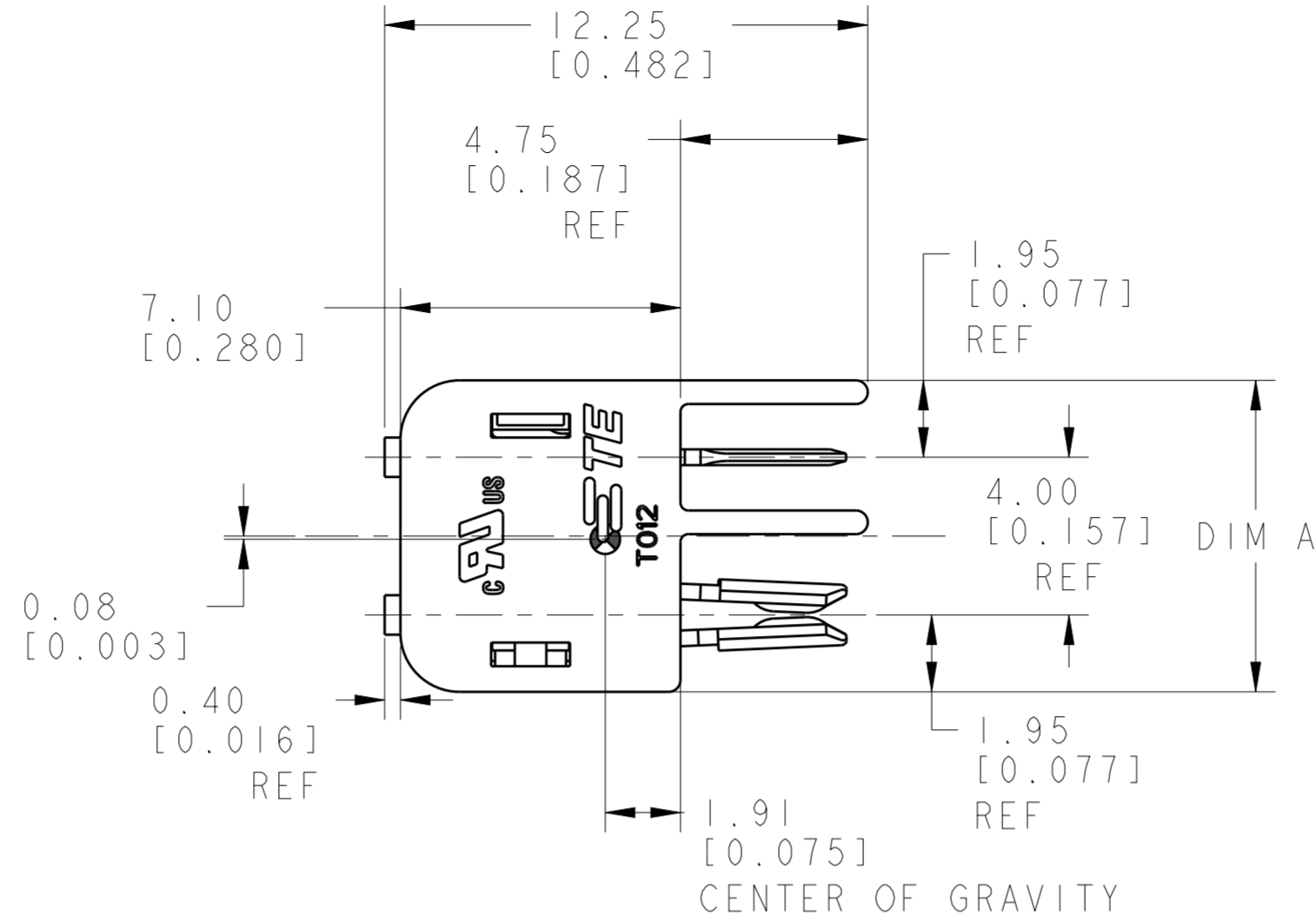


THIS DRAWING IS UNPUBLISHED. RELEASED FOR PUBLICATION 20
 © COPYRIGHT 20 BY - ALL RIGHTS RESERVED.

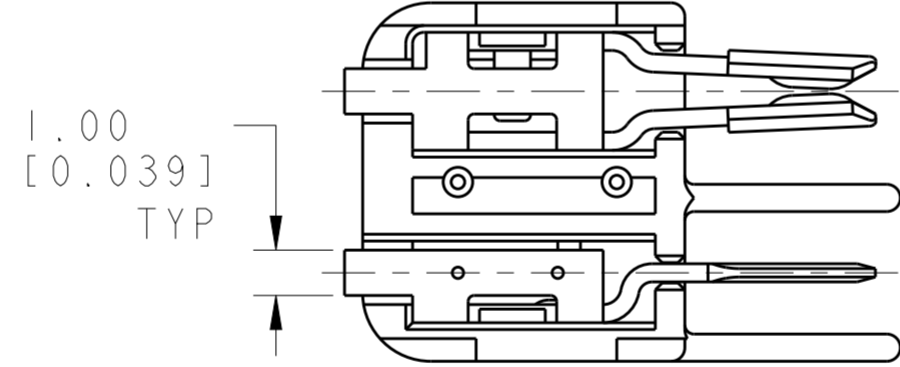
REVISIONS							
LOC	DIST	P	LTR	DESCRIPTION	DATE	DWN	APVD
-	-		A	REVISED PER ECR-16-012852	08SEP2016	RS	PO

NOTES:

- 1. MATERIALS AND FINISH
 - HOUSING: LCP
 - CONTACTS: COPPER ALLOY, FINISH: TIN
- 2. PRODUCT TO COMPLY WITH DIRECTIVE 2002/95/EC (ROHS)
- 3. PACKAGED IN TAPE AND REEL PER EIA-481 SPECIFICATIONS



2213504-1 SHOWN

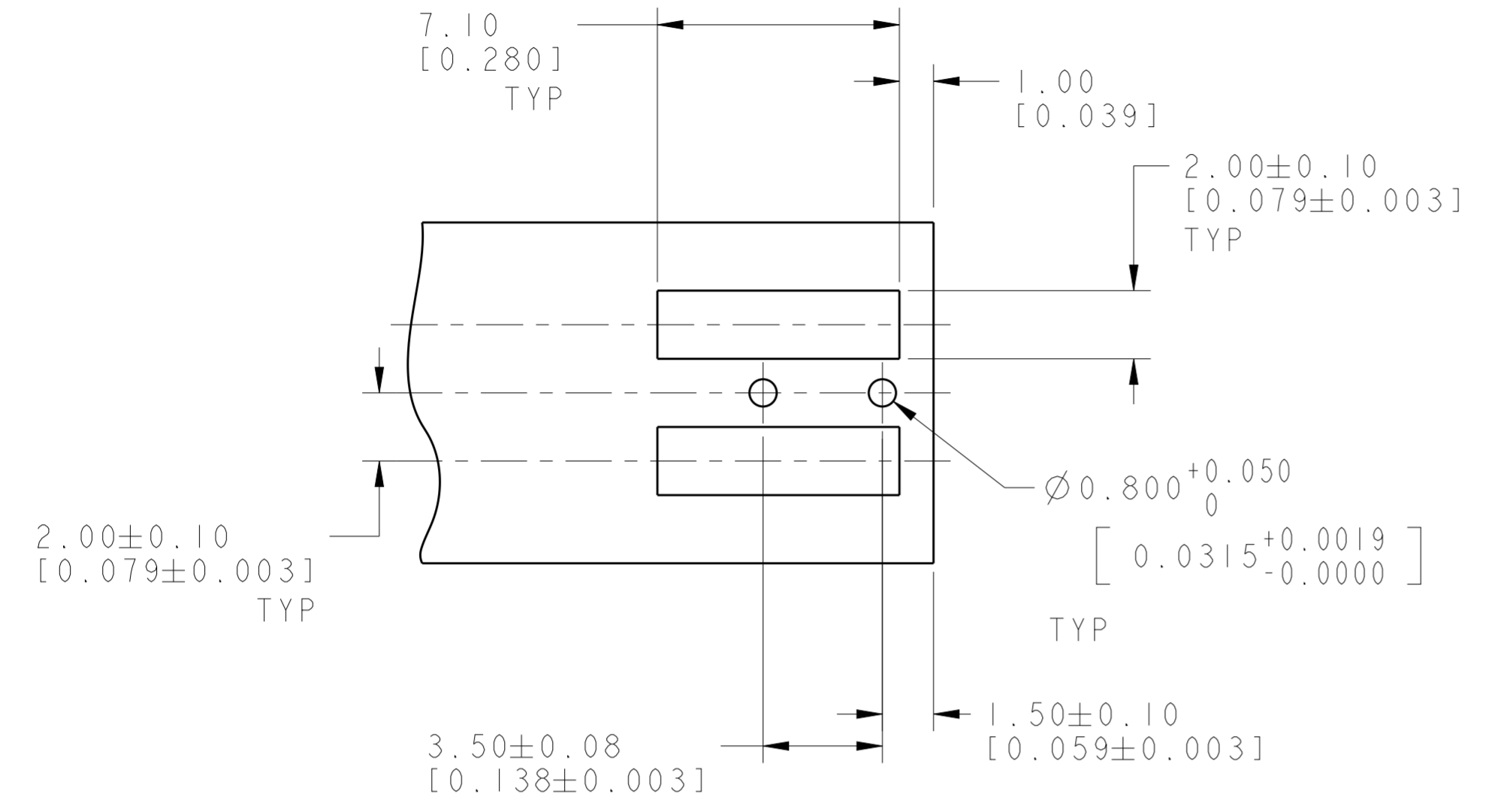


6	BLACK	23.90	1-2213504-3
4	BLACK	15.90	1-2213504-2
2	BLACK	7.90	1-2213504-1
6	NATURAL	23.90	2213504-3
4	NATURAL	15.90	2213504-2
2	NATURAL	7.90	2213504-1
POSITION	COLOR	DIM A	PART NO.

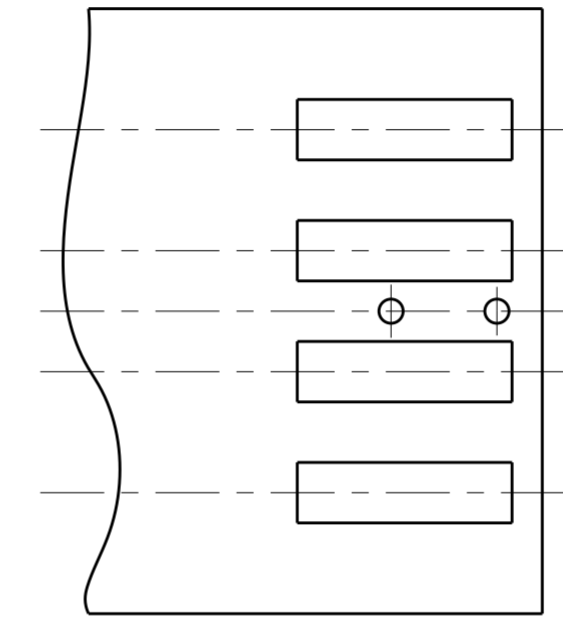
THIS DRAWING IS A CONTROLLED DOCUMENT.		DWN RAVLS 07MAY2014	TE Connectivity	
		CHK D. DECKER 07MAY2014		
		APVD D. DECKER 07MAY2014	NAME CONNECTOR ASSEMBLY, HERMAPHRODITIC BLADE AND RECEPTACLE, WITH BOSS	
DIMENSIONS:		PRODUCT SPEC	RESTRICTED TO	
mm		108-2342	SIZE CAGE CODE DRAWING NO	
TOLERANCES UNLESS OTHERWISE SPECIFIED:		APPLICATION SPEC	A200779 C-2213504	
0 PLC ±		114-13225	SCALE 6:1 SHEET 1 OF 2 REV A	
1 PLC ±		WEIGHT -		
2 PLC ±0.13		CUSTOMER DRAWING		
3 PLC ±0.013				
4 PLC ±				
ANGLES ±1°				
FINISH				

THIS DRAWING IS UNPUBLISHED. RELEASED FOR PUBLICATION 20
 © COPYRIGHT 20 BY - ALL RIGHTS RESERVED.

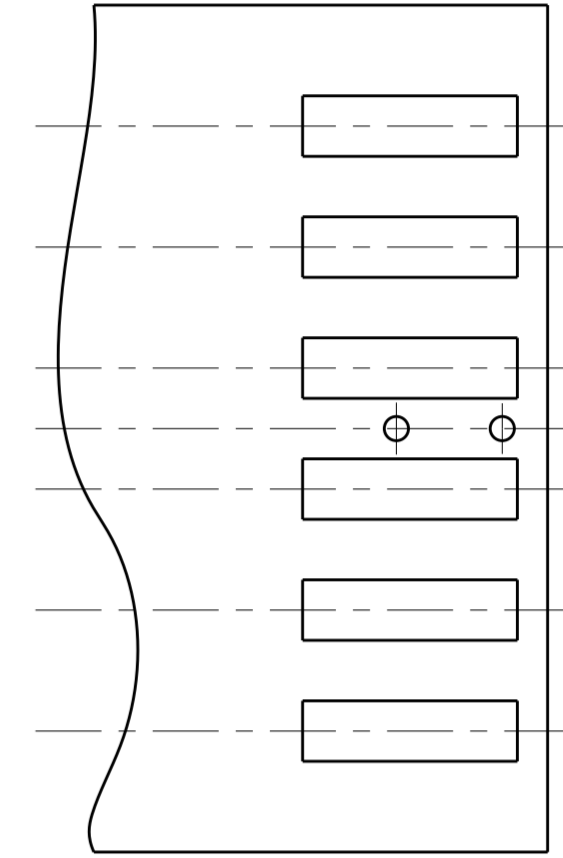
LOC		DIST		REVISIONS			
P	LTR	DESCRIPTION	DATE	DWN	APVD		
-	-	SEE SHEET 1	-	-	-		



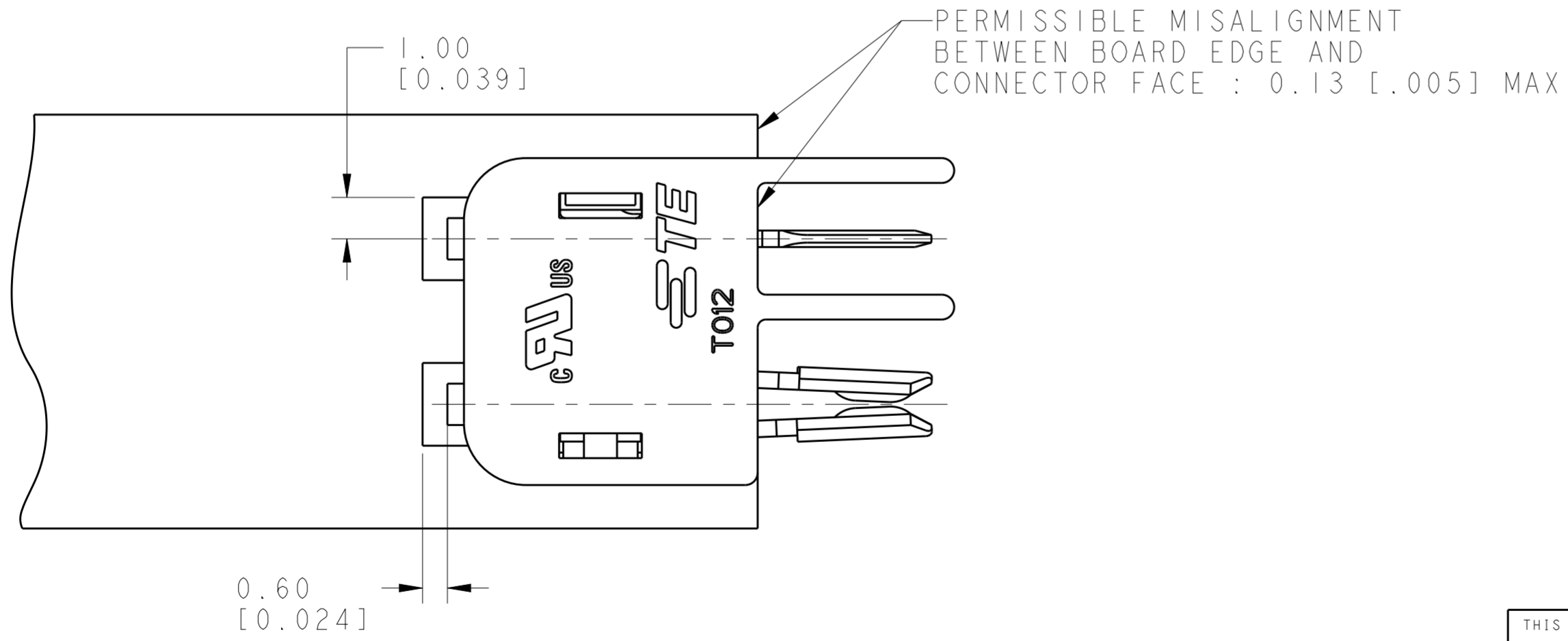
RECOMMENDED PCB LAYOUT FOR 2213504-1 & 1-2213504-1



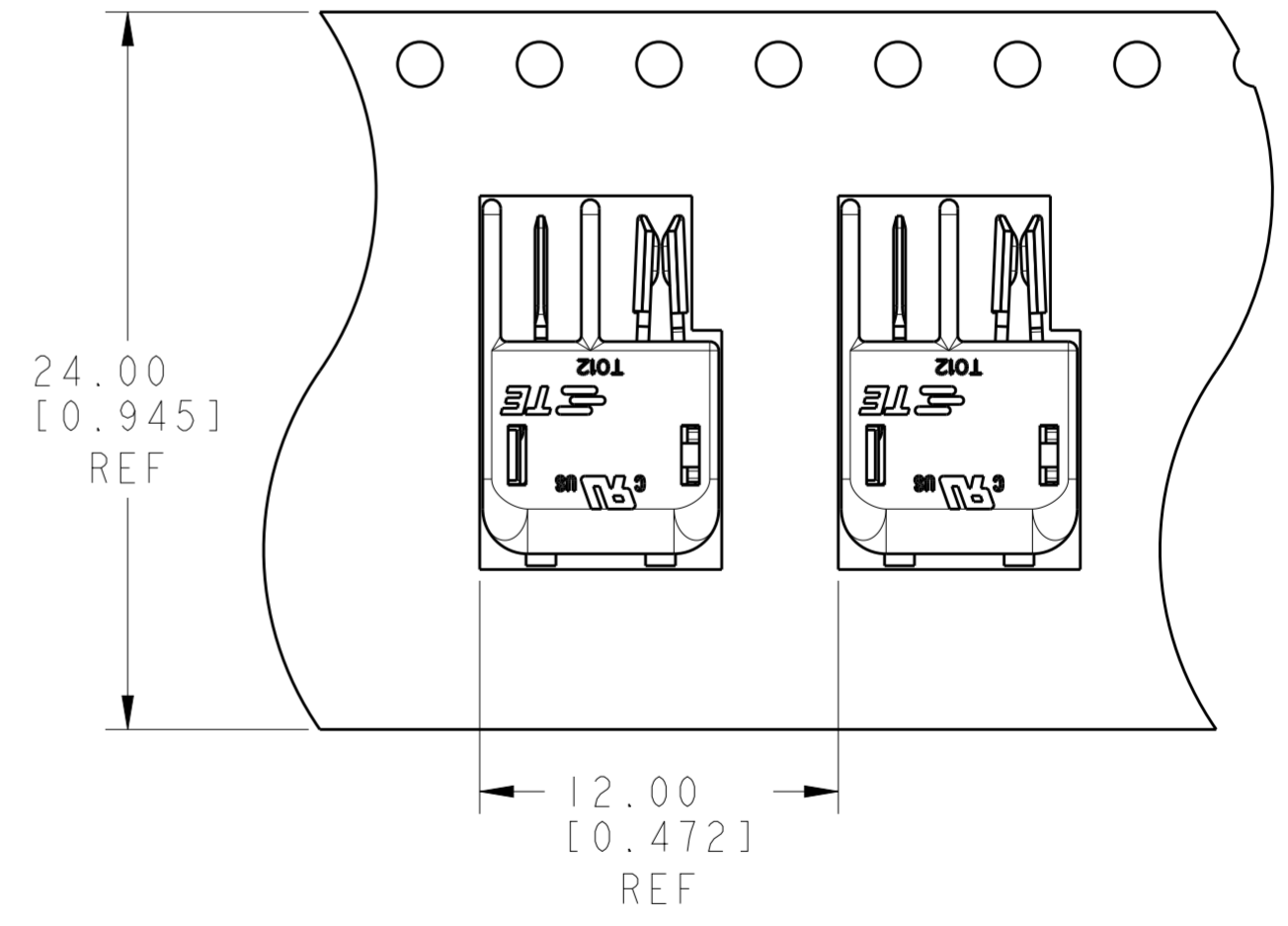
RECOMMENDED PCB LAYOUT FOR 2213504-2 & 1-2213504-2



RECOMMENDED PCB LAYOUT FOR 2213504-3 & 1-2213504-3



SCALE 8:1



TO BE PACKAGED AS SHOWN

THIS DRAWING IS A CONTROLLED DOCUMENT.		DWN RAVLS 07MAY2014	TE Connectivity	
		CHK D. DECKER 07MAY2014		
		APVD D. DECKER 07MAY2014	NAME CONNECTOR ASSEMBLY, HERMAPHRODITIC BLADE AND RECEPTACLE, WITH BOSS	
DIMENSIONS: mm		PRODUCT SPEC 108-2342		SIZE 114-13225
TOLERANCES UNLESS OTHERWISE SPECIFIED: 0 PLC ± 1 PLC ± 2 PLC ±0.13 3 PLC ±0.013 4 PLC ± ANGLES ±1° FINISH		APPLICATION SPEC		RESTRICTED TO
MATERIAL		WEIGHT		SCALE 6:1
		CUSTOMER DRAWING		SHEET 2 OF 2
				REV A