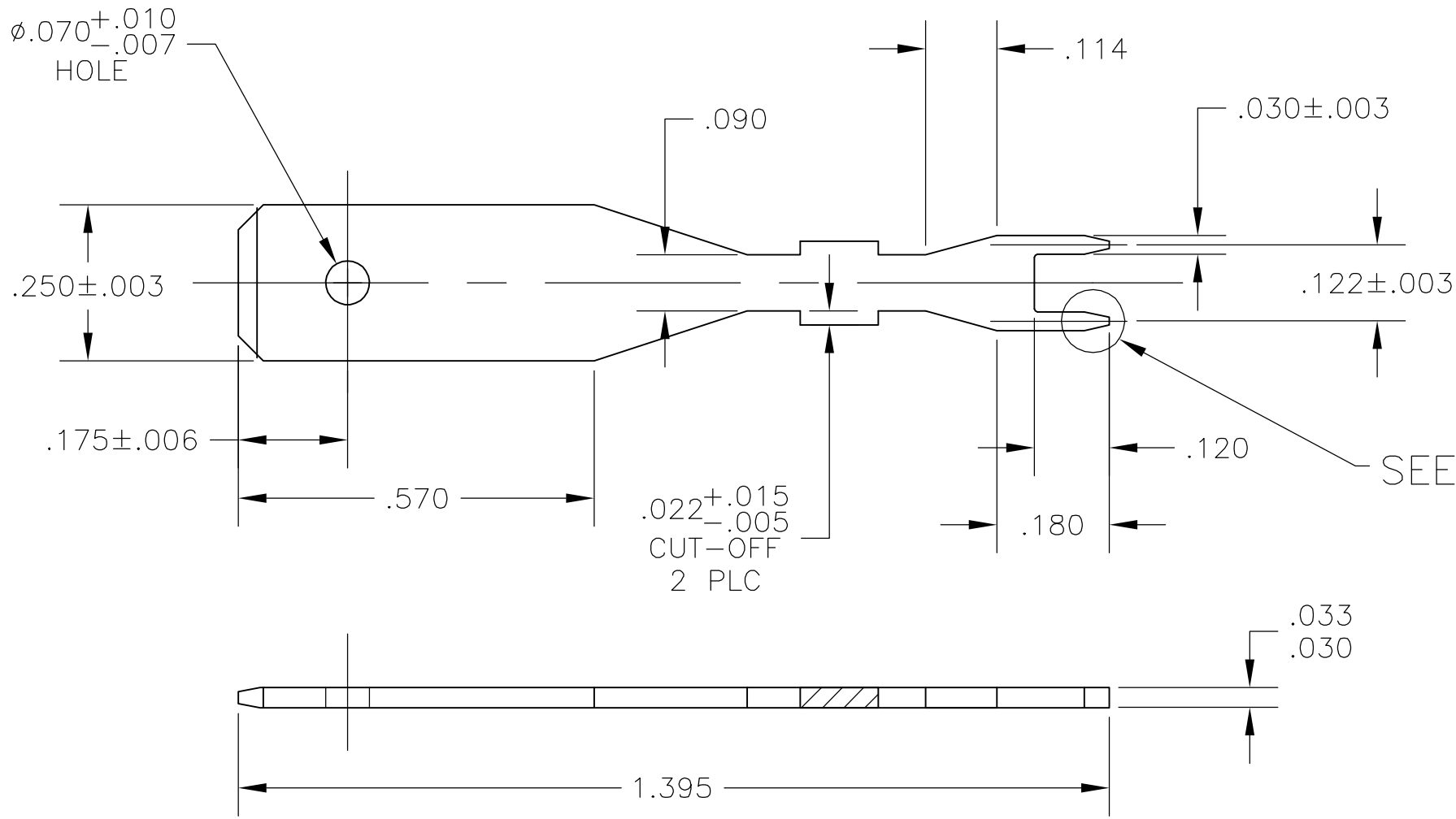


THIS DRAWING IS UNPUBLISHED. RELEASED FOR PUBLICATION  
 © COPYRIGHT BY TYCO ELECTRONICS CORPORATION. ALL RIGHTS RESERVED.

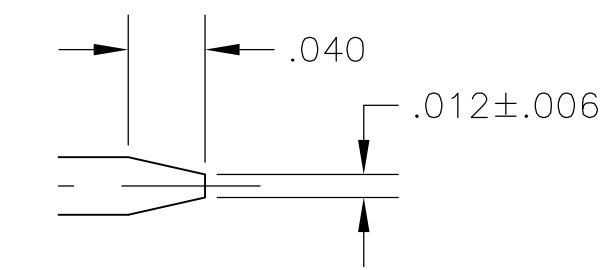
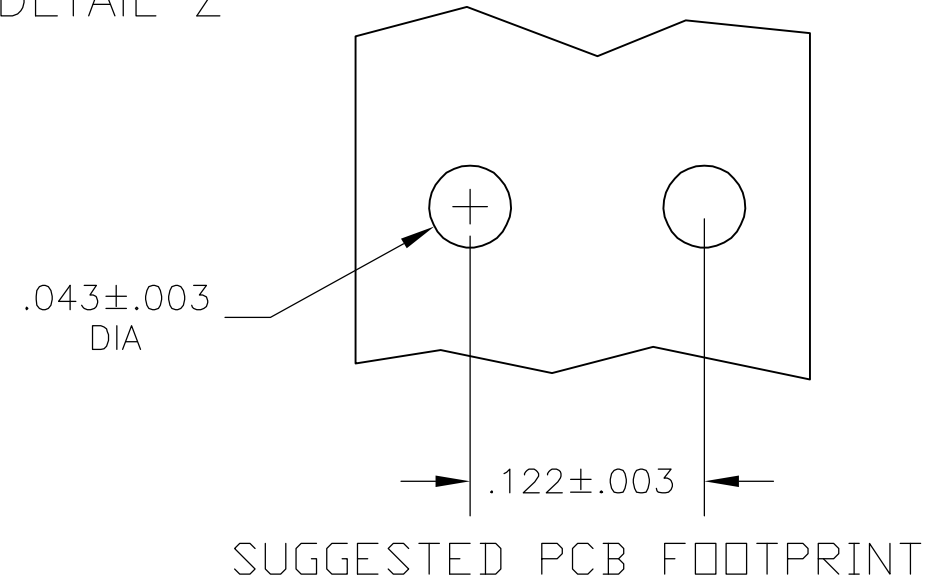
LOC	DIST	REVISIONS			
P	LTR	DESCRIPTION	DATE	DWN	APVD
AF	50	N1	REV PER ECR 06-004550	03MAR06	JR KR

1 SUPPLIED IN LOOSE PIECE

$\triangle 2$  .000120 MIN TIN OVER .000050 MIN NICKEL



SEE DETAIL Z



DETAIL Z  
SCALE 10:1

1217742-1  
PART NO

THIS DRAWING IS A CONTROLLED DOCUMENT.		DWN jr_ruth 09NOV04	Tyco Electronics Corporation Harrisburg, PA 17105-3608														
DIMENSIONS: INCHES		CHK N. DEIBERT 02NOV01															
TOLERANCES UNLESS OTHERWISE SPECIFIED:		APVD N. DEIBERT 02NOV01	NAME TAB, SPECIAL, PC BOARD, .250 SERIES LOOSE PIECE														
<table border="0"> <tr><td>0 PLC</td><td>± -</td></tr> <tr><td>1 PLC</td><td>± -</td></tr> <tr><td>2 PLC</td><td>± -</td></tr> <tr><td>3 PLC</td><td>± .010</td></tr> <tr><td>4 PLC</td><td>± -</td></tr> <tr><td>ANGLES</td><td>± 5°</td></tr> </table>		0 PLC	± -	1 PLC	± -	2 PLC	± -	3 PLC	± .010	4 PLC	± -	ANGLES	± 5°	PRODUCT SPEC -	APPLICATION SPEC 114-2115		
0 PLC	± -																
1 PLC	± -																
2 PLC	± -																
3 PLC	± .010																
4 PLC	± -																
ANGLES	± 5°																
MATERIAL H06 BRASS		FINISH $\triangle 2$	WEIGHT -	SIZE A3	CAGE CODE 00779	DRAWING NO C-1217742	RESTRICTED TO -										
CUSTOMER DRAWING			SCALE 1:1	SHEET 1 OF 1	REV N1												