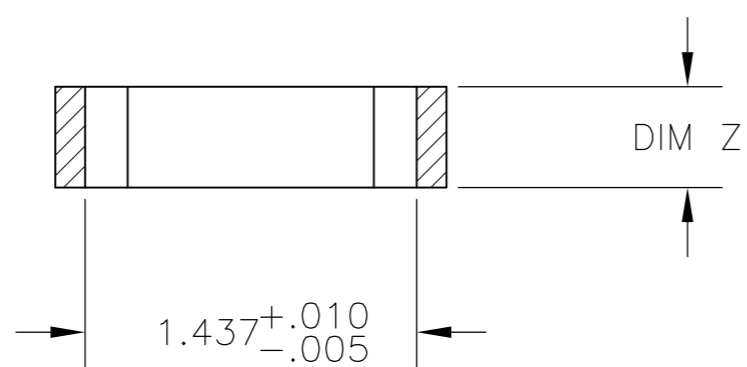
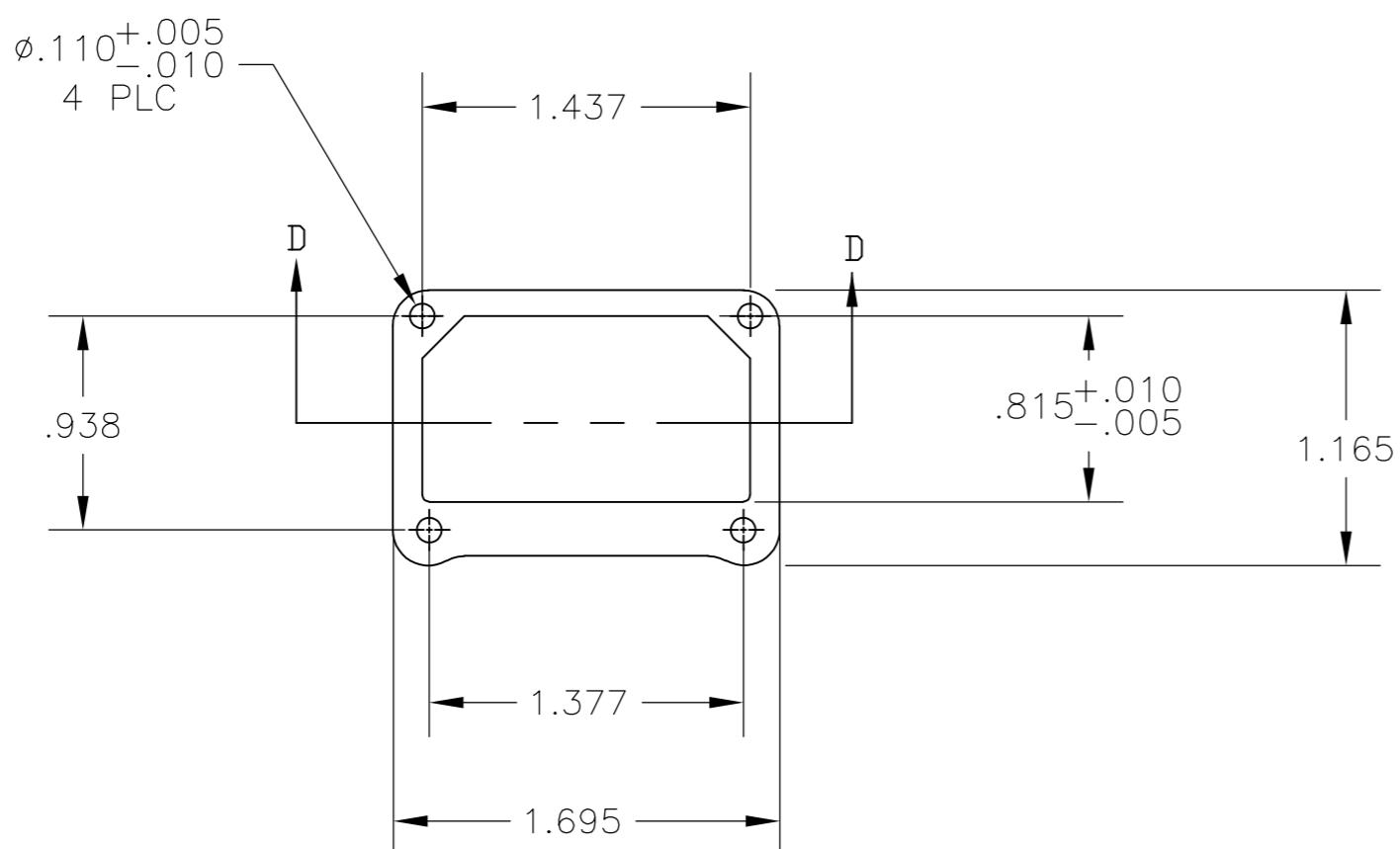


THIS DRAWING IS UNPUBLISHED. RELEASED FOR PUBLICATION  
 © COPYRIGHT BY TYCO ELECTRONICS CORPORATION. ALL RIGHTS RESERVED.

LOC	DIST	REVISIONS			
P	LTR	DESCRIPTION	DATE	DWN	APVD
	D	REV PER ECO-07-030671	21JAN08	PY	DE



SECTION D-D

- 1 MAT'L: ALUMINUM ALLOY
- 2 FINISH: BLUE ANODIZE
- 3 FINISH: ELECTROLESS NICKEL
- 4 FINISH: ELECTROLESS NICKEL
- 5 ELECTROLESS NICKEL DOES NOT CONTAIN INTENTIONAL ADDITIONS OF LEAD AND CADMIUM PER DFE STANDARD 230-700.

.437	4 5	1	5-205339-7
.218	3	1	205339-8
.437	3	1	205339-7
.218	2	1	205339-4
.437	2	1	205339-2
DIM Z	FINISH	MATERIAL	PART NO.

THIS DRAWING IS A CONTROLLED DOCUMENT.		DWN B. LATTUCA 02FEB2006	Tyco Electronics Corporation Harrisburg, PA 17105-3608	
DIMENSIONS: INCHES		CHK J. MARKEY 02FEB2006	NAME GROMMET PROTECTOR	
TOLERANCES UNLESS OTHERWISE SPECIFIED:		APVD J. MARKEY 02FEB2006	PRODUCT SPEC -	
MATERIAL ALUMINUM ALLOY		FINISH BLUE EPOXY	WEIGHT -	RESTRICTED TO -
CUSTOMER DRAWING		SCALE 1:1	SIZE A2	CAGE CODE 00779
		DRAWING NO. C=205339	SHEET 1 of 1	
		REV D		