

PART NAME: BALL KNOB SCALE: 1:1 DATE: 1/29/92 DR. BY HD

THIS DRAWING IS THE PROPERTY OF DAVIES MOLDING COMPANY, IS SUBMITTED SOLELY AS A DESIGN OR ENGINEERING PROJECT. WE ACCEPT NO RESPONSIBILITY WHATSOEVER FOR THE PRACTICAL APPLICATION OF THE PIECES MADE TO THIS DESIGN.

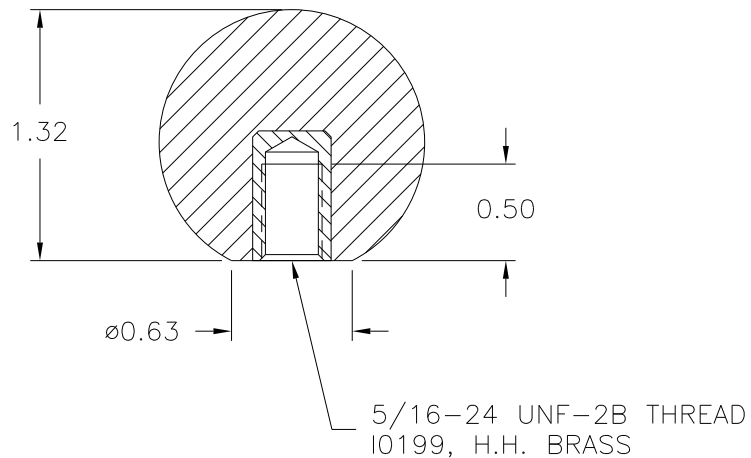
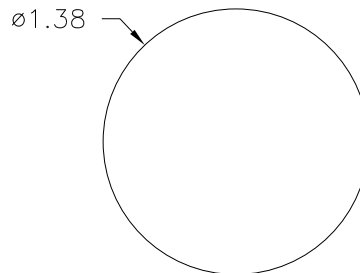


DESIGNERS & MANUFACTURERS OF KNOBS, HANDLES, CASES & CUSTOM PLASTIC COMPONENTS

P/N 0033-M

M^{NO.} 3220

CAVITY	0033
PLUNGER	0033
PINS	33-J&J-1
SHIM	0.220
INSERT	I0199



Ⓐ

MATERIAL: #4311 PHENOLIC (B41)
COLOR: BLACK

TOLERANCES: UNLESS OTHERWISE SPECIFIED	DO NOT SCALE DRAWING	A	WAS #2511	JAM	4/22/13
DECIMALS: X.XXX ± .005 X.XX ± .015	MM: X.XX ± 0.15MM X.X ± 0.4MM	-	RE-DID REDRAW	TL	10/28/99
FRACTIONS ± 1/64	ANG. ± 1°	-	CAD REDRAW	HD	11/19/92
CHANGES					