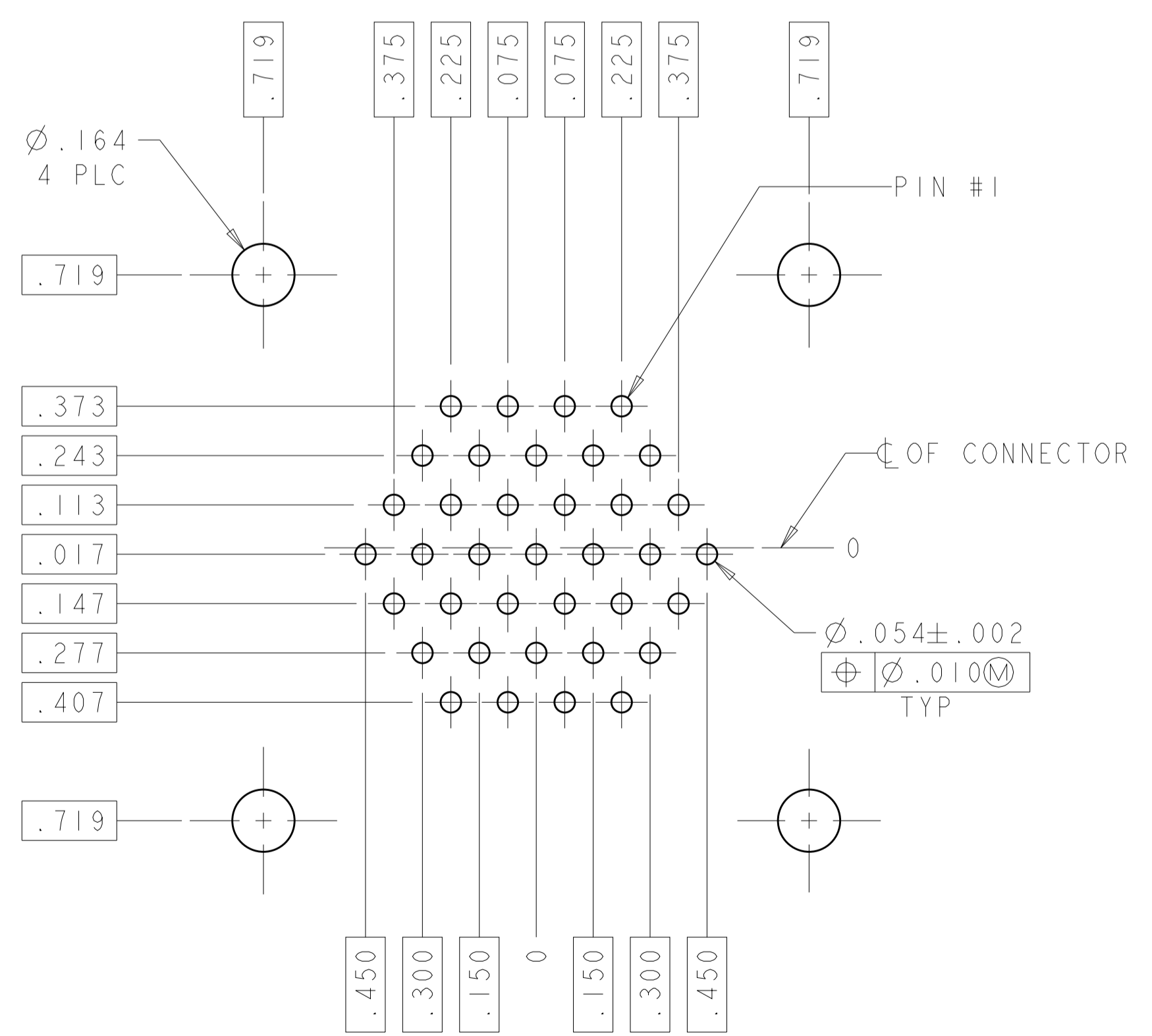
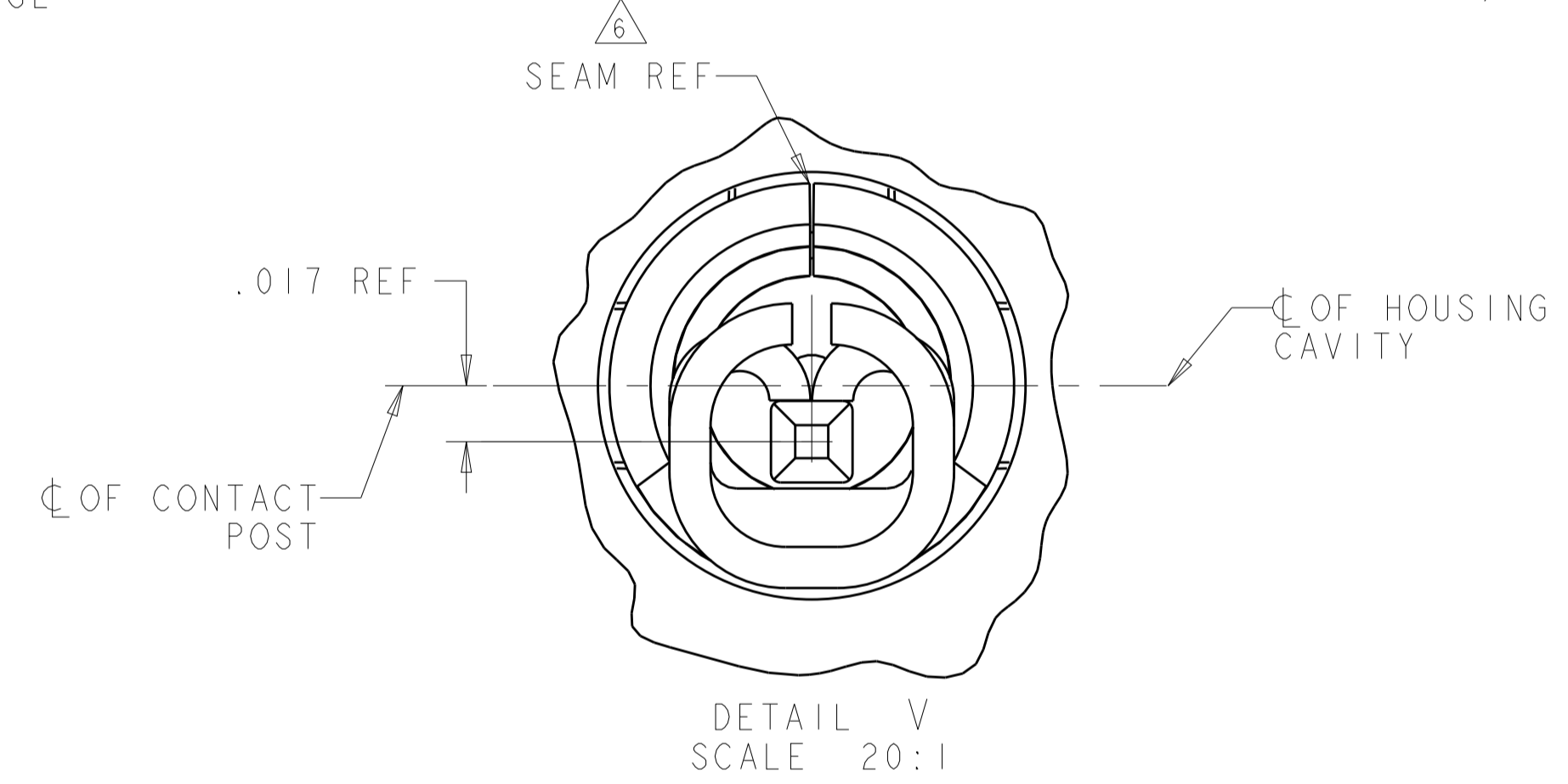
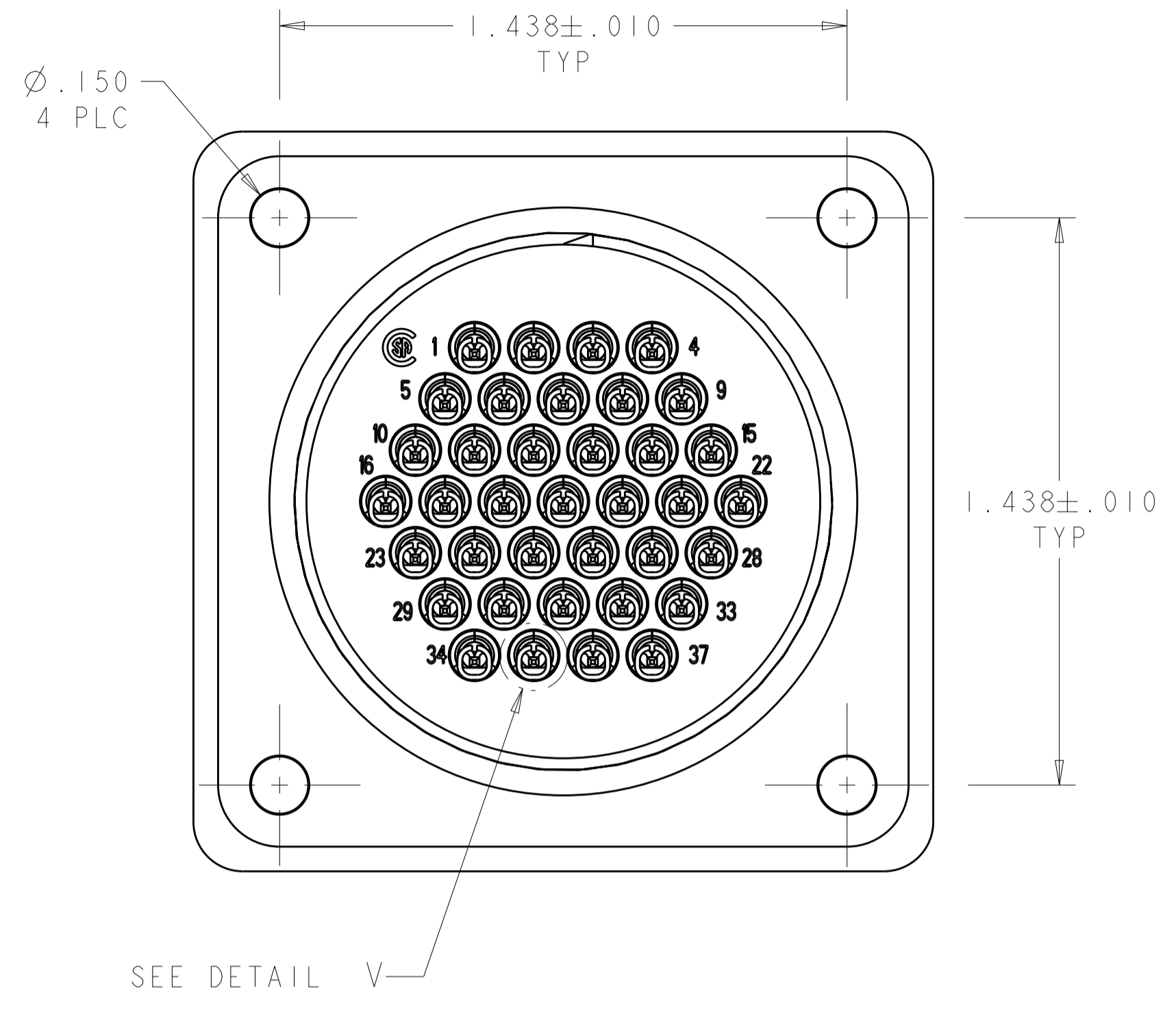
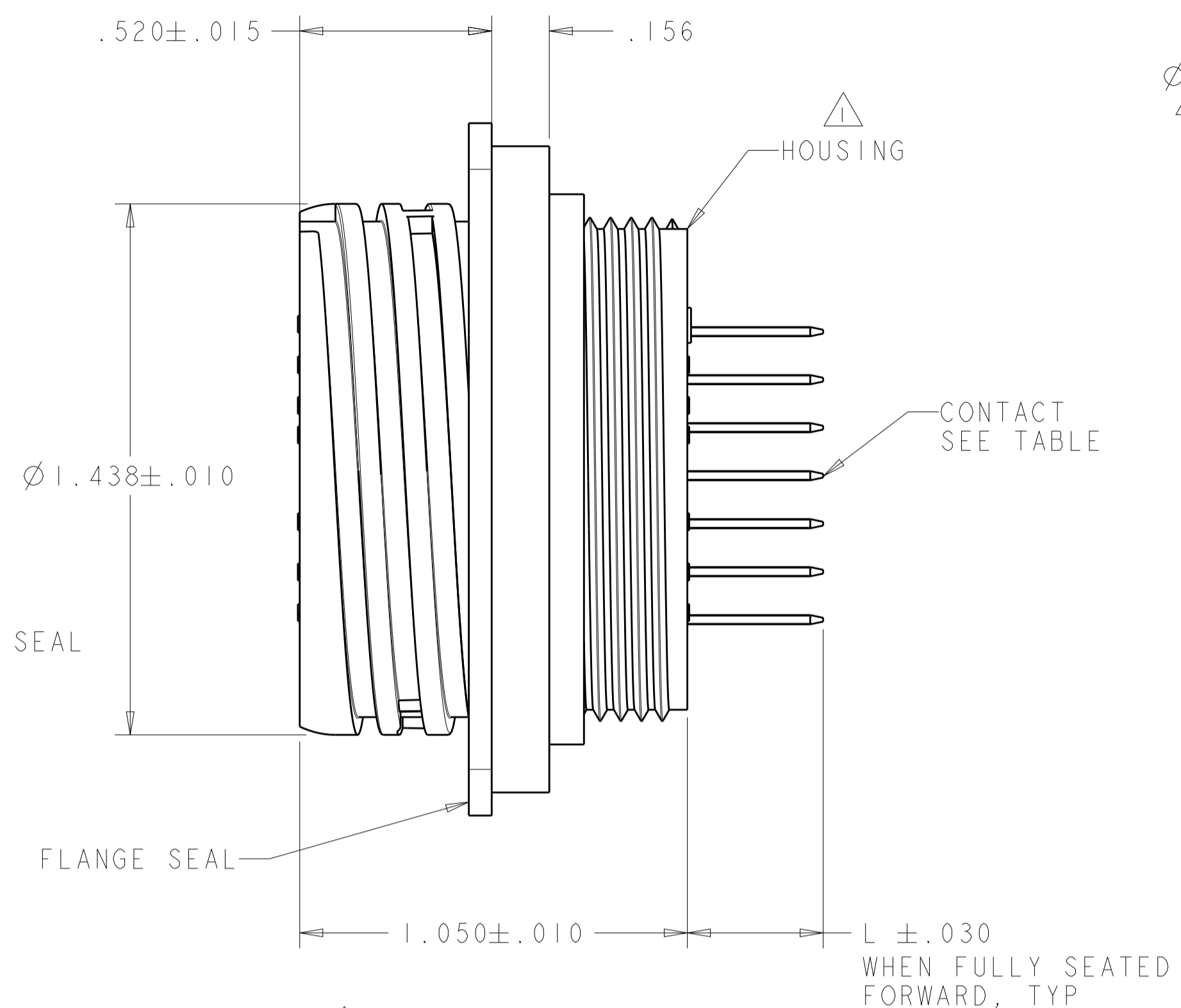
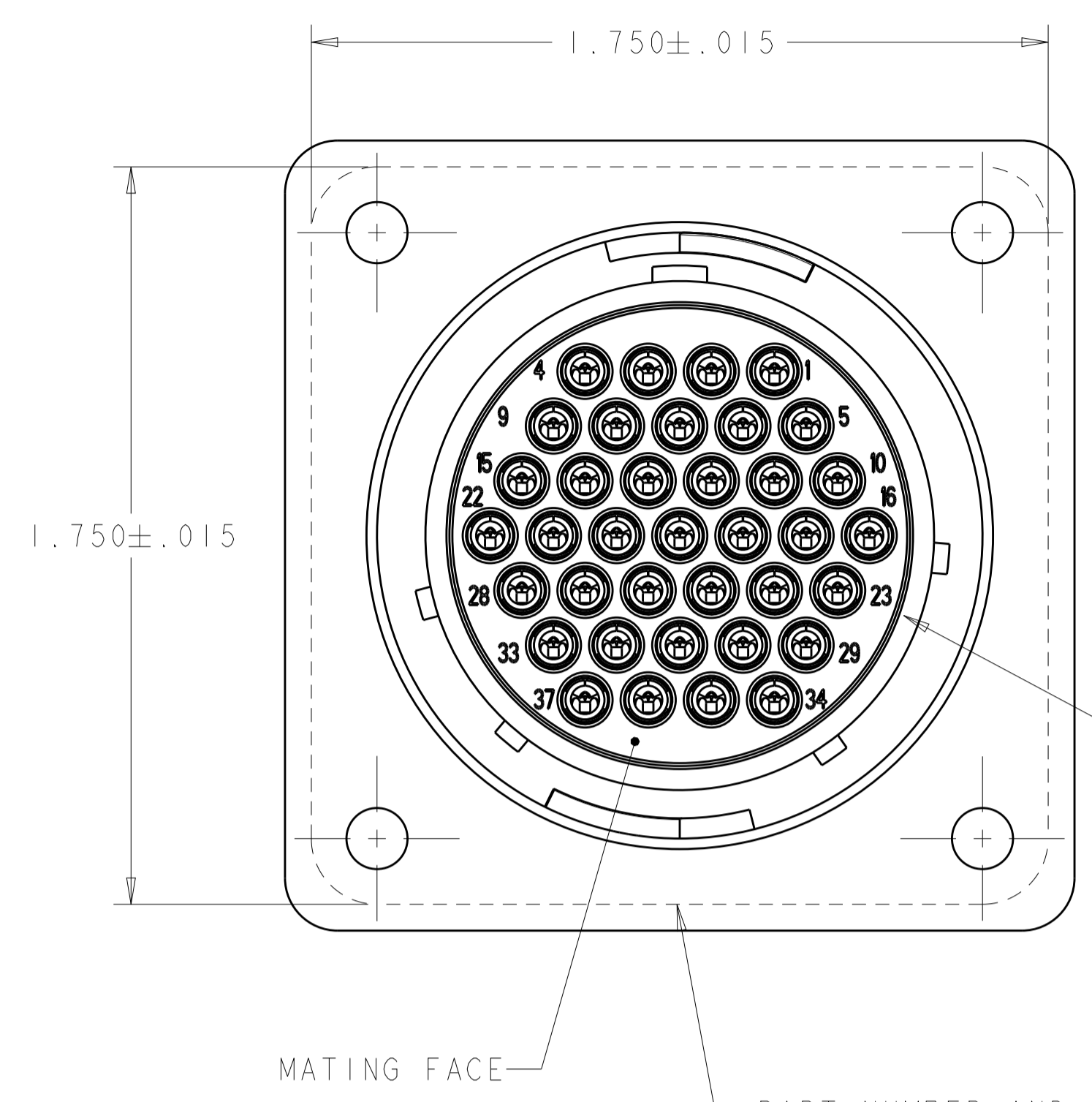


REVISIONS					
P.	LTN	DESCRIPTION	DATE	DWN	APVD
AF3		REVISED PER ECO-16-004800	07SEP2016	NK	MZ
AG		REVISED PER ECO-17-004657	05APR2017	RS	MZ



- ① HOUSING: THERMOPLASTIC, COLOR: BLACK.
- ② PERIPHERAL SEAL: ELASTOMER, COLOR: GRAY.
- ③ CONTACT:  
BODY - BRASS, .000030 MIN GOLD FOR A LENGTH OF .200 MIN FROM MATING END, GOLD FLASH ON REMAINDER, BOTH OVER .000050 MIN NICKEL.  
POST - BRASS, .000100 MIN TIN-LEAD OVER .000100 MIN COPPER.
- ④ CONTACT:  
BODY - BRASS, .000100 MIN TIN-LEAD OVER .000050 MIN NICKEL.  
POST - BRASS, .000100 MIN TIN-LEAD OVER .000100 MIN COPPER.
- ⑤ CONTACT:  
BODY - BRASS, .000100 MIN TIN OVER .000050 MIN NICKEL.  
POST - BRASS, .000100 MIN TIN OVER .000050 MIN NICKEL.
- ⑥ .009 MAXIMUM CONTACT LEAD-IN SEAM GAP PERMISSIBLE ON MATING FACE END.
- ⑦ CONTACT:  
BODY - BRASS, .000030 MIN GOLD FOR A LENGTH OF .200 MIN FROM MATING END, GOLD FLASH ON REMAINDER, BOTH OVER .000050 MIN NICKEL.  
POST - BRASS, .000100 MIN TIN OVER .000100 MIN COPPER.
- ⑧ CONTACT:  
BODY - BRASS, .000100 MIN TIN OVER .000050 MIN NICKEL.  
POST - BRASS, .000100 MIN TIN OVER .000100 MIN COPPER.
- ⑨ FLANGE SEAL: ELASTOMER, COLOR: BLACK.

NO	NO	.547	⑦	ALL	2-208224-9	
OBSOLETE	NO	.490	⑦	ALL	<del>2-208224-8</del>	
	YES	.368	⑦	1-17, 19-37	2-208224-5	
	NO	.557	③	1-9, 11-31, 33-37	2-208224-4	
	NO	.557	③	ALL	2-208224-3	
	NO	.368	①	ALL	2-208224-2	
	NO	.557	⑦	ALL	2-208224-1	
OBSOLETE	NO	YES	.368	⑧	1-10, 12-29, 31-37	<del>+208224-8</del>
	NO	YES	.368	⑧	4,8,10,23,31,34-36	<del>+208224-7</del>
	NO	YES	.368	⑧	1-10, 12-29, 31-37	<del>+208224-6</del>
	NO	YES	.368	⑤	1-22, 24-37	<del>+208224-5</del>
	NO	NO	.368	⑤	ALL	<del>+208224-3</del>
	NO	YES	.368	⑤	1-10, 12-29, 31-37	<del>+208224-2</del>
OBSOLETE	NO	YES	.368	⑤	1-22, 24-37	<del>+208224-1</del>
	NO	YES	.368	④	1-10, 12-29, 31-37	1-208224-0
OBSOLETE	NO	NO	.368	③	ALL	<del>208224-9</del>
	NO	YES	.368	④	1-22, 24-37	208224-5
OBSOLETE	NO	YES	.368	④	4,8,10,23,31,34-36	<del>208224-3</del>
	NO	YES	.368	④	1-10, 12-29, 31-37	<del>208224-4</del>
	NO	NO	.368	④	ALL	<del>208224-2</del>
	NO	NO	.557	③	ALL	208224-1

THIS DRAWING IS A CONTROLLED DOCUMENT. DWN S. WELDON 26FEB2003  
 CH S. HEADER 26FEB2003  
 APVD S. HEADER 26FEB2003

TE Connectivity

RECEPTACLE ASSEMBLY, POSTED, REVERSE SEX, SERIES 1, 23-37, CPC

SIZE: CAGE CODE: DRAWING NO: 100779  
 SCALE: 3:1 SHEET 1 OF 1 REV AG