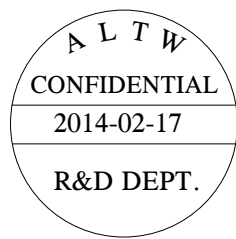
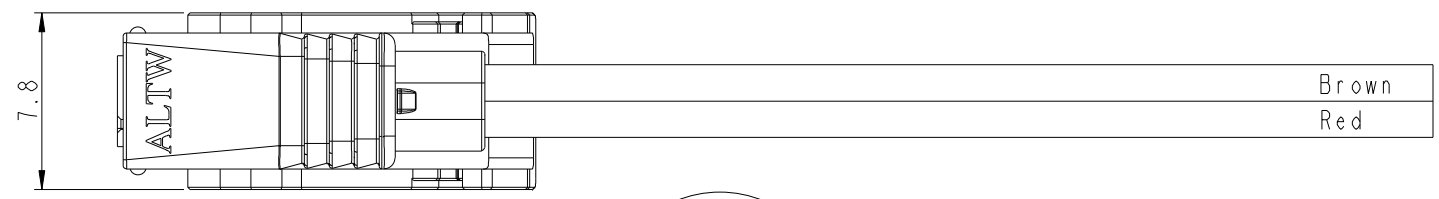
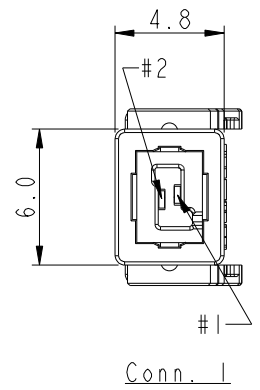
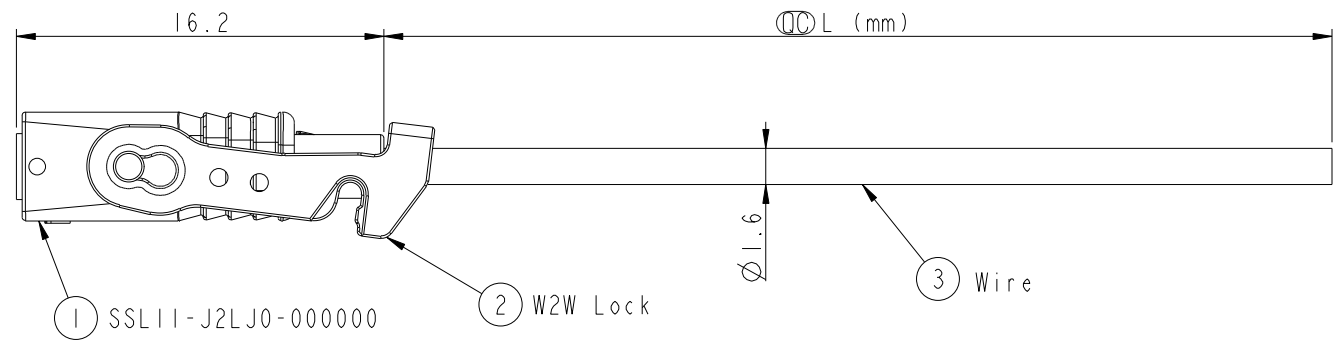


THIS DOCUMENT IS SUBJECT TO CHANGE WITHOUT NOTICE. IT IS CONFIDENTIAL AND A PROPERTY OF Amphenol LTW. DISCLOSURE TO THIRD PARTY HAS TO BE AUTHORIZED BY Amphenol LTW.

REV.	ECN NO.	DATE	SIGN	DESCRIPTION
A	Initial Release	2014-02-17	Fisher	Initial Release



SSL11-J2LJ0-W22AXX

- 01: L=100±20 mm.
- 02: L=200±20 mm.
- 04: L=400±25 mm.
- Standard Length is 400mm
- Wire Length Range(L): 100~9900mm
- 22: 22AWG
- LOCK&LATCH OPTION
- W: WITH W2W LOCK

- Notes:
- \*  $\varnothing$  Important Dimensions To Check.
  - \* Housing: Thermoplastic, UL94V-0, Natural White.
  - \* Terminal: Copper Alloy, Gold Plated.
  - \* Hood: Thermoplastic, UL94V-0, Natural White.
  - \* SR Mold: PP, UL94V-0, Natural White.
  - \* W2W Lock: Thermoplastic, UL94V-0, Natural White.
  - \* Wire: UL1430 22AWG, Brown/Red.
  - \* Wire Length Tolerance: ±5%mm.

2	Red	紅
1	Brown	棕
Conn. 1	Wire Color	
Pin Out		

UNIT:mm		
TOLERANCE		
.X	±0.25	
.XX	±0.1	
.XXX	±0.05	
ANGLES	±1°	

TITLE SSL11 WIRE ASS'Y, WITH W2W LOCK 2-POS, JACK TO OPEN		
SCALE 3:1	SIZE A4	SHEET 1 OF 1
REV. A	WC-REV. A.1	$\varnothing$ : Inspection item

**Amphenol LTW**  
安費諾亮泰企業股份有限公司

ITEM NO	DRAWN BY Fisher_Wang	DATE 2014-02-17
DWG NO SSL11-J2LJ0-W22AXX	CHECKED BY Ivan_Lin	DATE 2014-02-17
CUSTOMER ALTW	APPROVED BY Kevin_Hu	DATE 2014-02-17