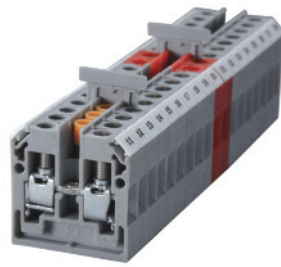


For use when space constraints require extremely compact solutions and internal jumping is required.

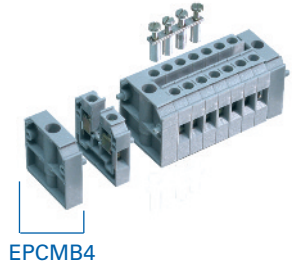
Individual components can be used to build your own assemblies. Just snap the required number of terminal block components together and place a Mounting Section on each end.

The CMB4 accepts internal jumpers and standard marking tags.

- Extremely compact and cost effective
- High density
- Screw-cage clamp
- Internal jumping provision
- Polyamide 6.6
- Standard color: gray



CMB4



Terminal Width	6 mm		
Height x Length	28 x 27 mm		
Stripping Length	9 mm		
Insulation Material	Polyamide 6.6		
Type of Connection	2 screw clamps & 1 tapped hole for cross connect.		
Approvals			
Wire Range	22-10 AWG	0.2-4 sq.mm	22-10 AWG
Voltage Rating	300 V	500 V	300 V
Current Rating	35 A	32 A	30 A
Torque	7 lb-in	0.5 Nm	7 lb-in

Other Approvals



Preassembled blocks are also available for quick and easy installations. See Dimensions below.



Dimensions mm (in.)
CMB4

Terminal Block

Mounting Section

Separator Plate

Mounting Screw*

Internal Jumper**		2 pole	CA727/2	100
		3 pole	CA727/3	100
		4 pole	CA727/4	100
		10 pole	CA727/10	10

Insulated Internal Jumper**		2 pole	CA747/2	100
		3 pole	CA747/3	100
		4 pole	CA747/4	100
		10 pole	CA747/10	10

Current Bars		2 pole	CA703/1	100
		3 pole	CA704/1	100
		4 pole	CA705/1	100
		10 pole	CA732/10	100
		10 pole (breakable)	CA732/10-A	100
		100 pole	CA732/100	10

Shorting Sleeve & Screw**		CA607/S/Q	100
---------------------------	--	-----------	-----

External Jumper		2 pole	CA714/2	100
		3 pole	CA714/3	100
		4 pole	CA714/4	100
		10 pole	CA714/10	20

Marking Tags		MT2	100
--------------	--	-----	-----

Cat. No.	Std. Pk.
----------	----------

CMB4	100
-------------	-----

EPCMB4	50
---------------	----

SPCMB4	100
---------------	-----

Any length M3 screw may be used.

Cat No.	No. of Poles	Width (a)	Hole Spacing (b)
CMB4/2	2	26 (1.02)	19 (0.75)
CMB4/3	3	32 (1.26)	25 (0.98)
CMB4/4	4	38 (1.50)	31 (1.22)
CMB4/5	5	44 (1.73)	37 (1.46)
CMB4/6	6	50 (1.97)	43 (1.69)
CMB4/7	7	56 (2.20)	49 (1.93)
CMB4/8	8	62 (2.44)	55 (2.17)
CMB4/9	9	68 (2.68)	61 (2.40)
CMB4/10	10	74 (2.91)	67 (2.64)
CMB4/11	11	80 (3.15)	73 (2.87)
CMB4/12	12	86 (3.39)	79 (3.11)
CMB4/13	13	92 (3.62)	85 (3.35)
CMB4/14	14	98 (3.86)	91 (3.58)
CMB4/15	15	104 (4.09)	97 (3.82)
CMB4/16	16	110 (4.33)	103 (4.06)
CMB4/17	17	116 (4.57)	109 (4.29)
CMB4/18	18	122 (4.80)	115 (4.53)
CMB4/19	19	128 (5.04)	121 (4.76)
CMB4/20	20	134 (5.28)	127 (5.00)
CMB4/21	21	140 (5.51)	133 (5.24)
CMB4/22	22	146 (5.75)	139 (5.47)
CMB4/23	23	152 (5.98)	145 (5.71)
CMB4/24	24	158 (6.22)	151 (5.94)

COLOR BLOCKS
(other than standard grey)

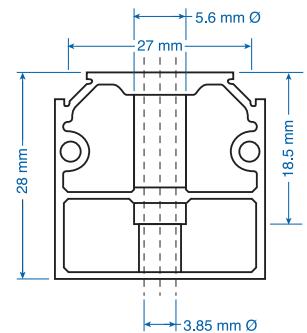
When ordering please add color suffix to Cat. No.

Example for color Red: **Cat.No./R**

Color	Ordering Suffix	
Red	R	
Yellow	Y	
Blue	BU	
Green	G	

Consult Altech for availability:

Orange	O	
Beige	BG	
Dark Brown	DB	
Black	BL	
White	W	



Mounting Section
EPCMB4

* Any length M3 screw may be used.
** Torque recommendation is 3.5 lb-in.