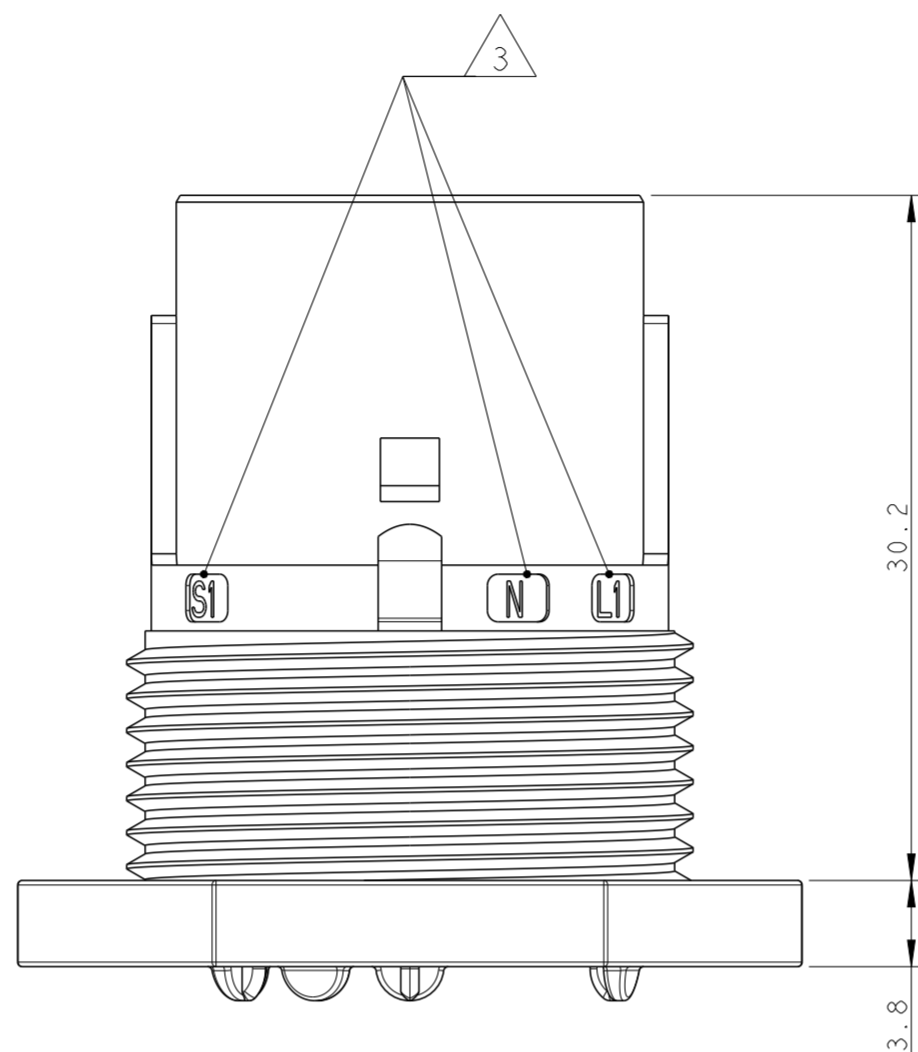
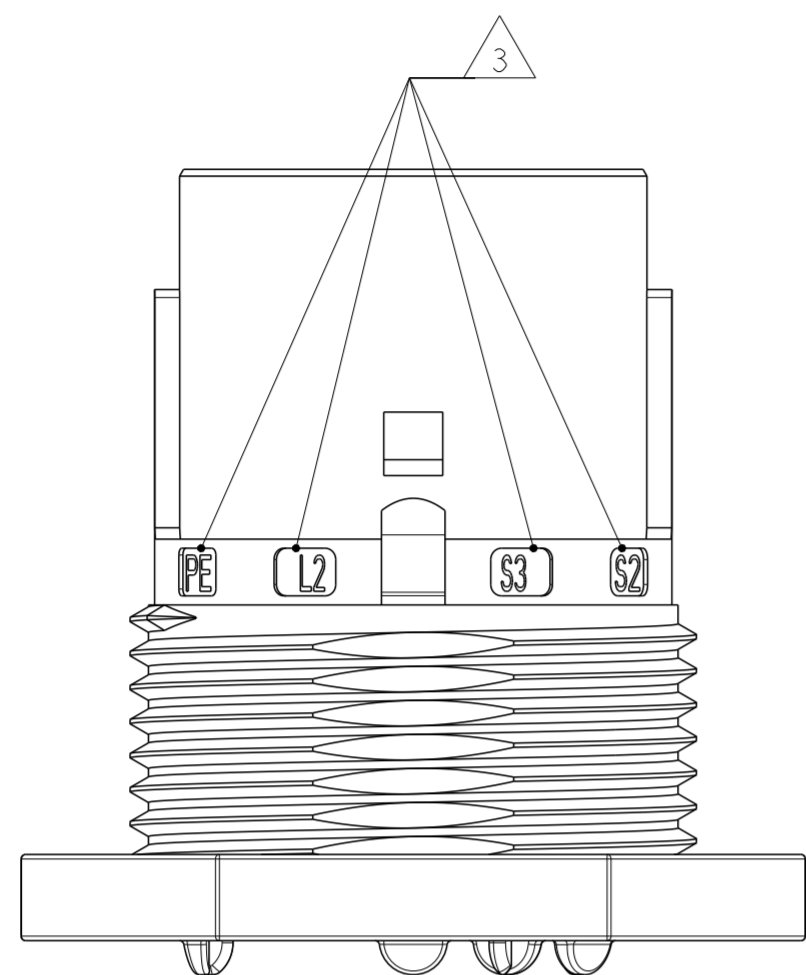


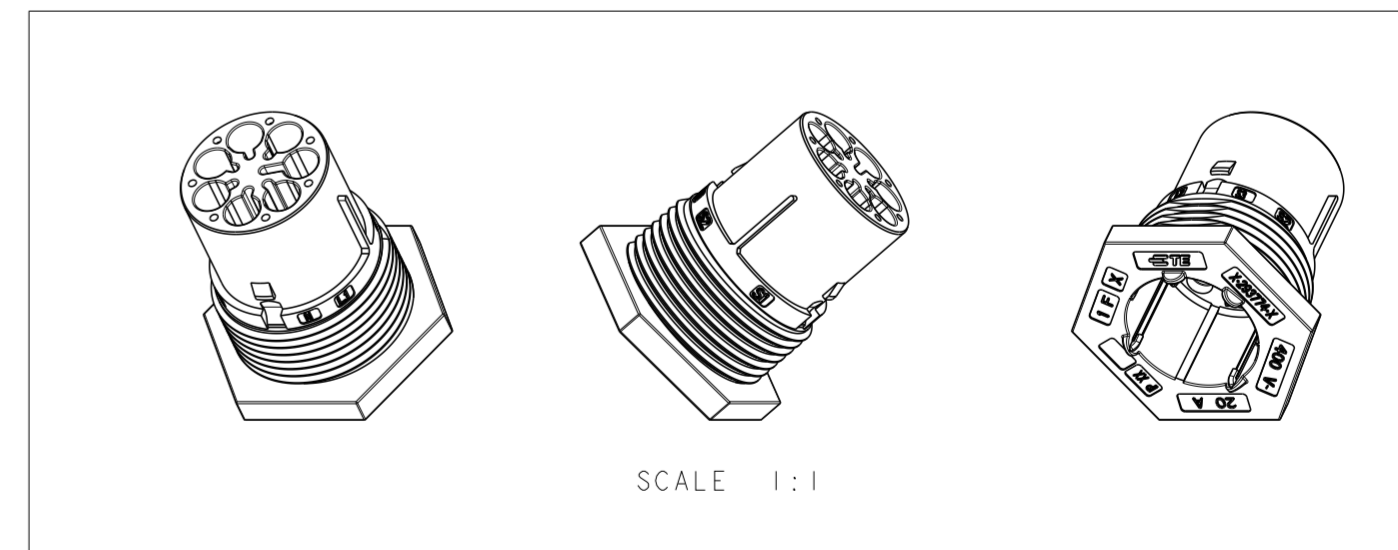
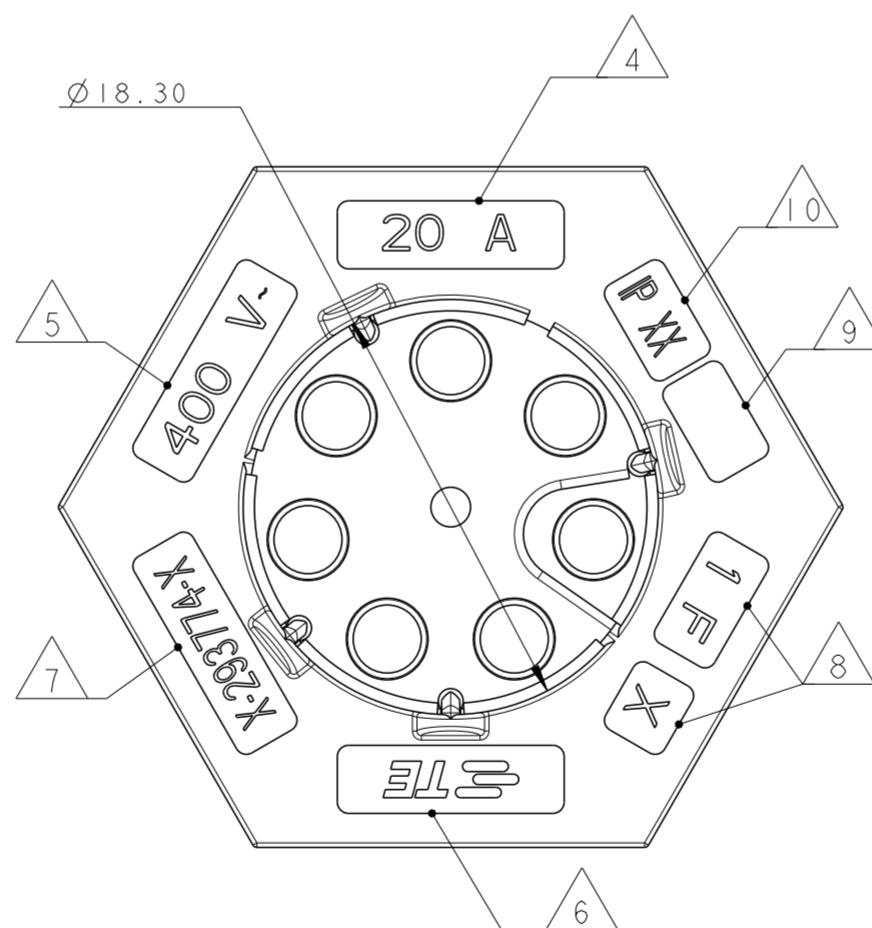
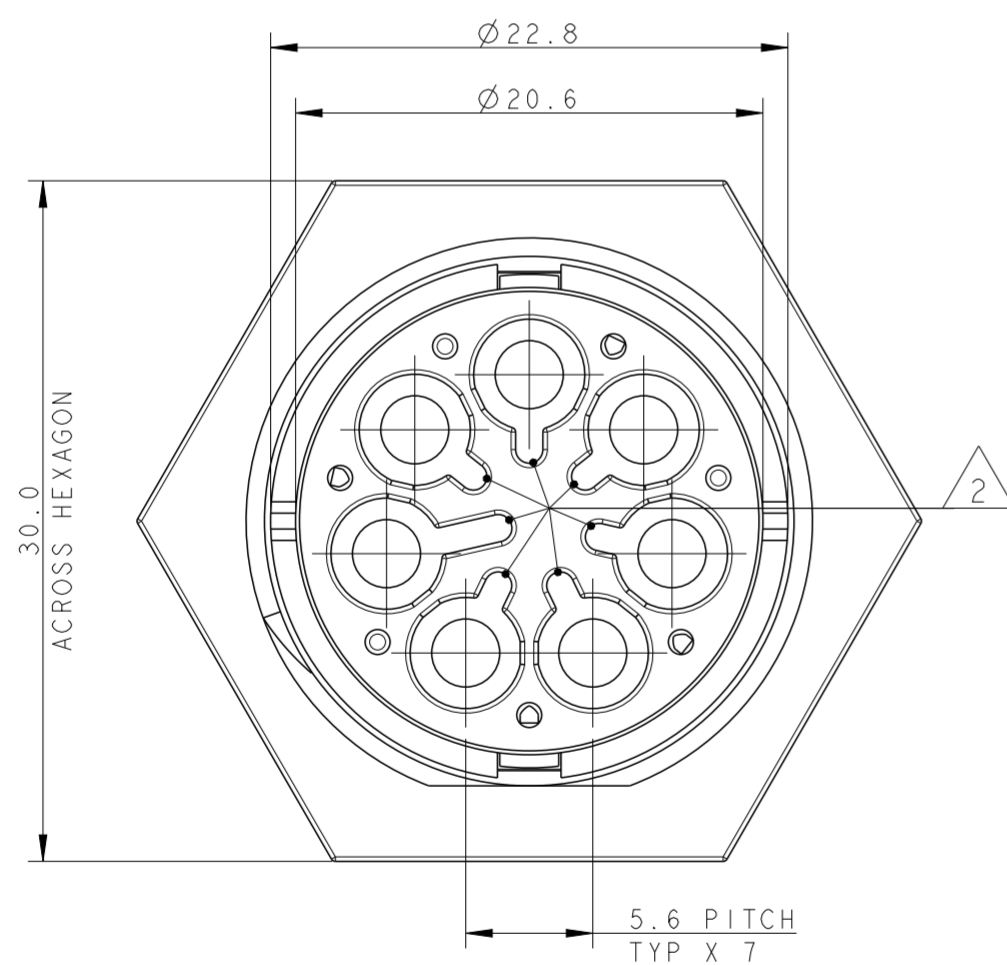
THIS DRAWING IS UNPUBLISHED. RELEASED FOR PUBLICATION 2011  
 © COPYRIGHT 2011 BY - ALL RIGHTS RESERVED.

LOC		DIST		REVISIONS			
P	LTR	DESCRIPTION		DATE	DWN	APVD	
	2	UPDATED		02MAY2011	AB	GT	
	3	UPDATED		22JUL2013	MZ	JC	
	4	REVISED LATCH SHAPE		02AUG2013	KR	JC	
	A	PARTS RELEASED FOR PRODUCTION		14NOV2013	MZ	JC	



NOTES:

- 1 MATERIAL: PA GF (NATURAL AND BLACK COLOUR)
- 2 ALL POLARIZATION KEYS SHOWN FOR REF ONLY
- 3 WAYS I.D.
- 4 CURRENT RATING
- 5 VOLTAGE RATING
- 6 TE LOGO
- 7 TE PART NUMBER
- 8 DATA CODE AND CAVITY I.D.
- 9 AREA FOR AGENCIES APPROVAL LOGO
- 10 IP CODE



THIS DRAWING IS A CONTROLLED DOCUMENT.		DWN A. BERNARDI 31MAR2011	TE Connectivity	
DIMENSIONS: mm		CHK M. ZUCCA 31MAR2011		
TOLERANCES UNLESS OTHERWISE SPECIFIED:		APVD G. TURCO 31MAR2011	NAME PIN HOUSING 7 POLES PANEL MOUNT M-LINE NECTOR	
0 PLC ± 1 PLC ±0.3 2 PLC ±0.20 3 PLC ± 4 PLC ± ANGLES ±3° FINISH		PRODUCT SPEC -	SIZE A20779	DRAWING NO C-293774
MATERIAL -		WEIGHT -	RESTRICTED TO -	SCALE 3:1
Customer Drawing			SHEET 1	OF 3
			REV A	

THIS DRAWING IS UNPUBLISHED. RELEASED FOR PUBLICATION 2011  
 © COPYRIGHT 2011 BY - ALL RIGHTS RESERVED.

LOC	DIST	REVISIONS			
P	LTR	DESCRIPTION	DATE	DWN	APVD
-	-	SEE SHEET 1	-	-	-

### POLARIZATION TYPES

POLARIZATION TYPE "A"	POLARIZATION TYPE "B"	POLARIZATION TYPE "C"
PNs 0-293774-1 AND 1-293774-1	PNs 0-293774-2 AND 1-293774-2	PNs 0-293774-3 AND 1-293774-3
POLARIZATION TYPE "D"	POLARIZATION TYPE "E"	
PNs 0-293774-4 AND 1-293774-4	PNs 0-293774-5 AND 1-293774-5	

NOTE	POL. KEYING	COLOUR	DESCRIPTION	REV.	P/N
1	E	BLACK	PIN HSG 7 POLE PANEL MOUNT NECTOR* M-LINE	A	1-293774-5
1	D	BLACK	PIN HSG 7 POLE PANEL MOUNT NECTOR* M-LINE	A	1-293774-4
1	C	BLACK	PIN HSG 7 POLE PANEL MOUNT NECTOR* M-LINE	A	1-293774-3
1	B	BLACK	PIN HSG 7 POLE PANEL MOUNT NECTOR* M-LINE	A	1-293774-2
1	A	BLACK	PIN HSG 7 POLE PANEL MOUNT NECTOR* M-LINE	A	1-293774-1
1	E	NATURAL	PIN HSG 7 POLE PANEL MOUNT NECTOR* M-LINE	A	0-293774-5
1	D	NATURAL	PIN HSG 7 POLE PANEL MOUNT NECTOR* M-LINE	A	0-293774-4
1	C	NATURAL	PIN HSG 7 POLE PANEL MOUNT NECTOR* M-LINE	A	0-293774-3
1	B	NATURAL	PIN HSG 7 POLE PANEL MOUNT NECTOR* M-LINE	A	0-293774-2
1	A	NATURAL	PIN HSG 7 POLE PANEL MOUNT NECTOR* M-LINE	A	0-293774-1

THIS DRAWING IS A CONTROLLED DOCUMENT.

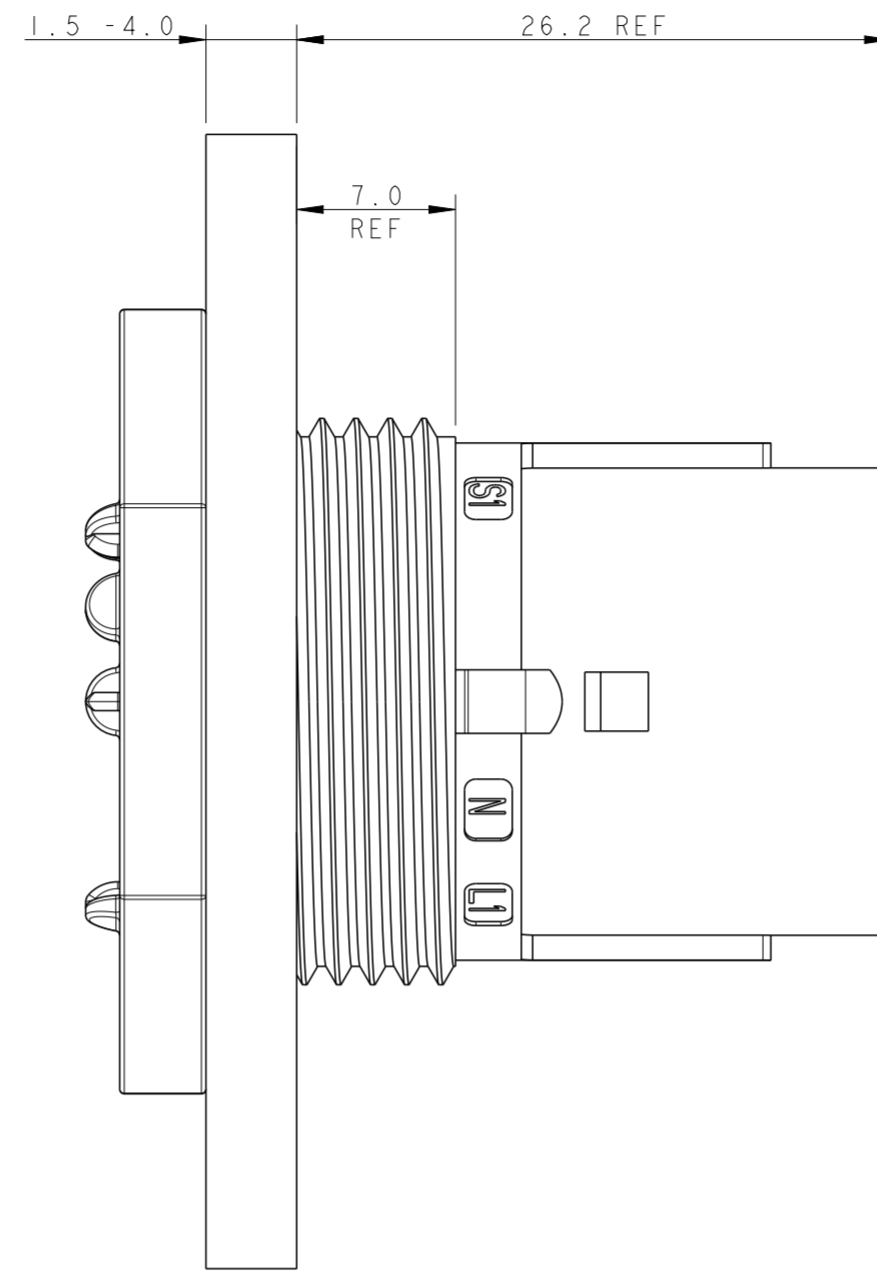
DIMENSIONS: mm	TOLERANCES UNLESS OTHERWISE SPECIFIED: 0 PLC ± 1 PLC ±0.3 2 PLC ±0.20 3 PLC ± 4 PLC ± ANGLES ±3° FINISH	DWN 31MAR2011 A. BERNARDI CHK 31MAR2011 M. ZUCCA APVD 31MAR2011 G. TURCO PRODUCT SPEC APPLICATION SPEC WEIGHT	TE Connectivity NAME PIN HOUSING 7 POLES PANEL MOUNT M-LINE NECTOR SIZE CAGE CODE DRAWING NO RESTRICTED TO A200779 C-293774 SCALE 3:1 SHEET 2 OF 3 REV A
----------------	--	---	--

Customer Drawing

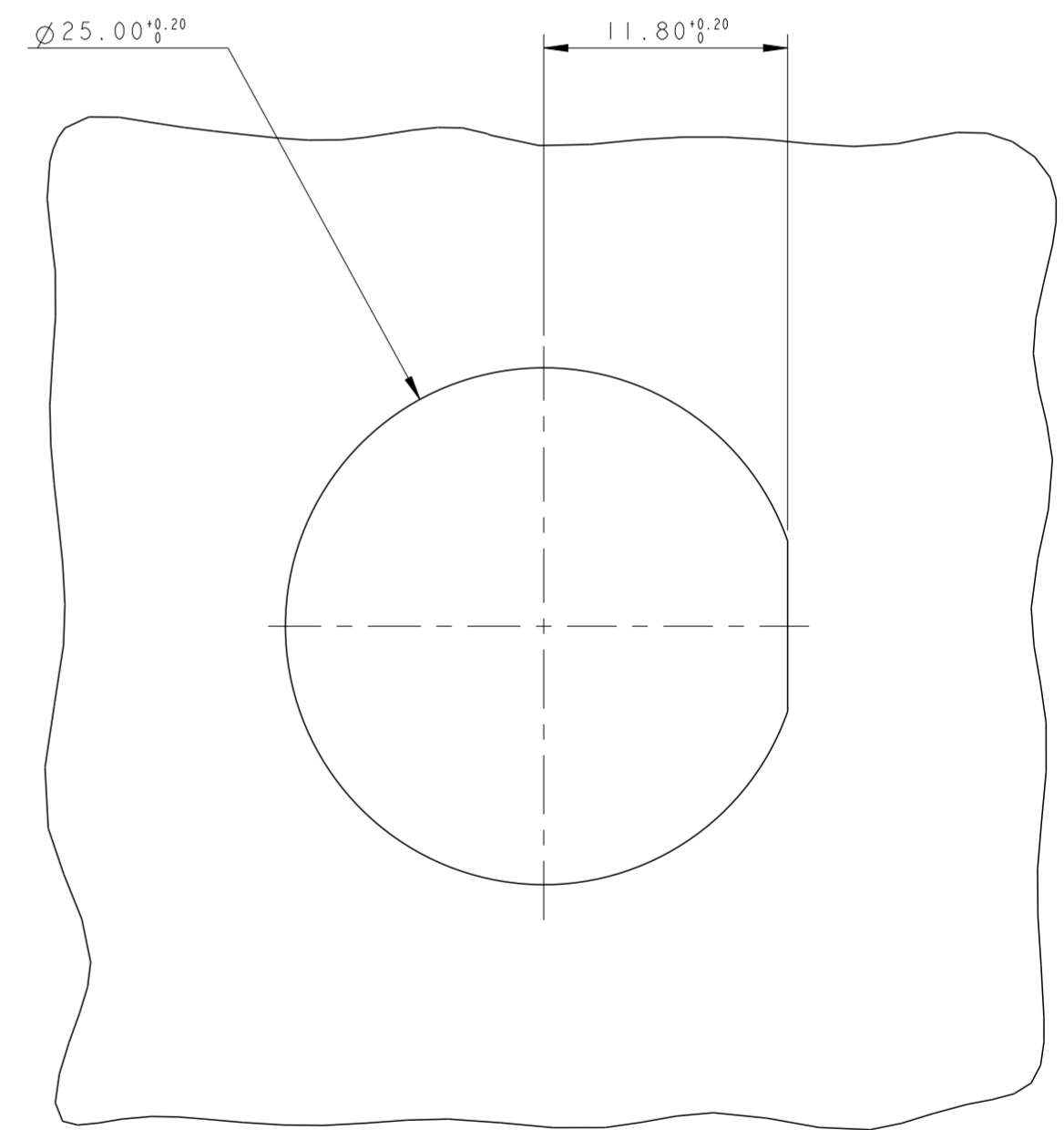
THIS DRAWING IS UNPUBLISHED. RELEASED FOR PUBLICATION 2011  
 © COPYRIGHT 2011 BY - ALL RIGHTS RESERVED.

LOC		DIST		REVISIONS			
P	LTR	DESCRIPTION	DATE	DWN	APVD		
-	-	SEE SHEET 1	-	-	-		

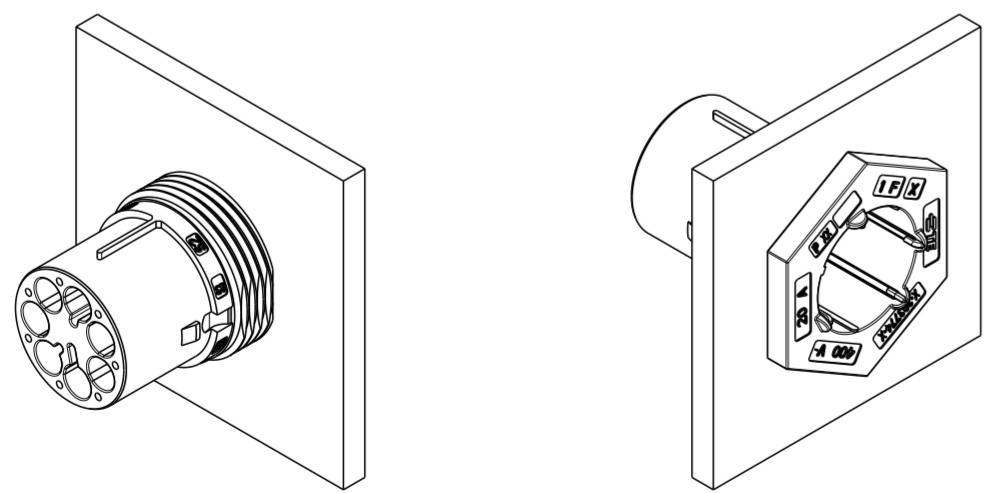
### PN 293774-3 AS SHOWN




### PANEL/WALL SUGGESTED LAYOUT



3D VIEWS FOR REFERENCE ONLY  
 PN 293774-3 AS SHOWN



SCALE 1:1

THIS DRAWING IS A CONTROLLED DOCUMENT.		DWN A. BERNARDI 31MAR2011	 TE Connectivity	
DIMENSIONS: mm		CHK M. ZUCCA 31MAR2011		
TOLERANCES UNLESS OTHERWISE SPECIFIED:		APVD G. TURCO 31MAR2011	NAME PIN HOUSING 7 POLES PANEL MOUNT M-LINE NECTOR	
0 PLC ±	±0.3	PRODUCT SPEC	SIZE	CAGE CODE
1 PLC ±	±0.20	APPLICATION SPEC	A200779	C-293774
2 PLC ±	±	WEIGHT	SCALE	SHEET
3 PLC ±	±3°	Customer Drawing	3:1	3 OF 3
4 PLC ±				REV
ANGLES ±				A
FINISH				