



NEW!

Flyback Transformer

For National Semiconductor
LM5071 PoE PD Controller



- Designed to operate in continuous mode at 250 kHz
- NSC App Note AN-1430 specifies 84% efficiency at 3 A.
- 1500 Vrms isolation from primary and aux to secondary

Core material Ferrite

Terminations RoHS tin-silver over tin over nickel over phos bronze. Other terminations available at additional cost.

Weight 5.97 g

Ambient temperature -40°C to +85°C

Storage temperature Component: -40°C to +85°C.
Packaging: -40°C to +80°C

Resistance to soldering heat Max three 40 second reflows at +260°C, parts cooled to room temperature between cycles

Moisture Sensitivity Level (MSL) 1 (unlimited floor life at <30°C / 85% relative humidity)

Failures in Time (FIT) / Mean Time Between Failures (MTBF)
38 per billion hours / 26,315,789 hours, calculated per Telcordia SR-332

Packaging 175 per 13" reel Plastic tape: 32 mm wide, 0.5 mm thick, 28 mm pocket spacing, 12.93 mm pocket depth

PCB washing Only pure water or alcohol recommended

Part number ¹	L at 0 A ² ±10% (µH)	L at I _{pk} ³ min (µH)	Input voltage (V)	DCR max (Ohms)	Leakage L ⁴ max (µH)	Turns ratios	I _{pk} ³ (A)	Outputs ⁵
DA2383-AL_	127.0	114.3	24 -60	0.310 (aux) 0.012 (sec) 0.255 (pri)	1.25	2 : 1 (pri : aux) 6 : 1 (pri : sec)	1.0	10 V, 0.05 A (aux) 3.3 V, 4.0 A (sec)

1. When ordering, please specify **packaging** code:

DA2383-ALD

Packaging: **D** = 13" machine-ready reel. EIA-481 embossed plastic tape (175 parts per full reel).

B = Less than full reel. In tape, but not machine ready. To have a leader and trailer added (\$25 charge), use code letter D instead.

2. Inductance is for the primary, measured at 200 kHz, 0.2 Vrms, 0 Adc.

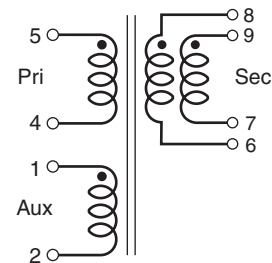
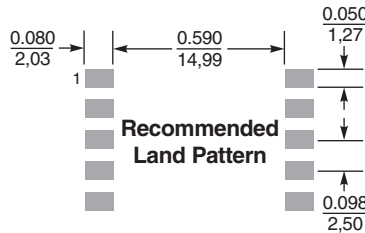
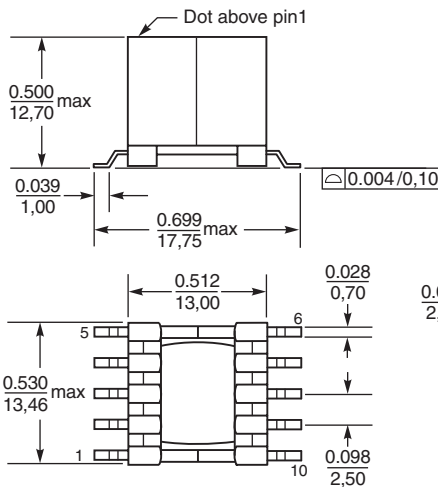
3. I_{pk} is peak primary current drawn at minimum input voltage.

4. Leakage inductance measured on the primary winding with all secondary pins shorted.

5. Output of the secondary is with the windings connected in parallel.

6. Electrical specifications at 25°C.

Refer to Doc 362 "Soldering Surface Mount Components" before soldering.



Secondary windings to be connected in parallel on the PC board

Coilcraft[®]

Specifications subject to change without notice.
Please check our website for latest information.

Document 523 Revised 10/29/08

1102 Silver Lake Road Cary, Illinois 60013 Phone 847/639-6400 Fax 847/639-1469

E-mail info@coilcraft.com Web <http://www.coilcraft.com>