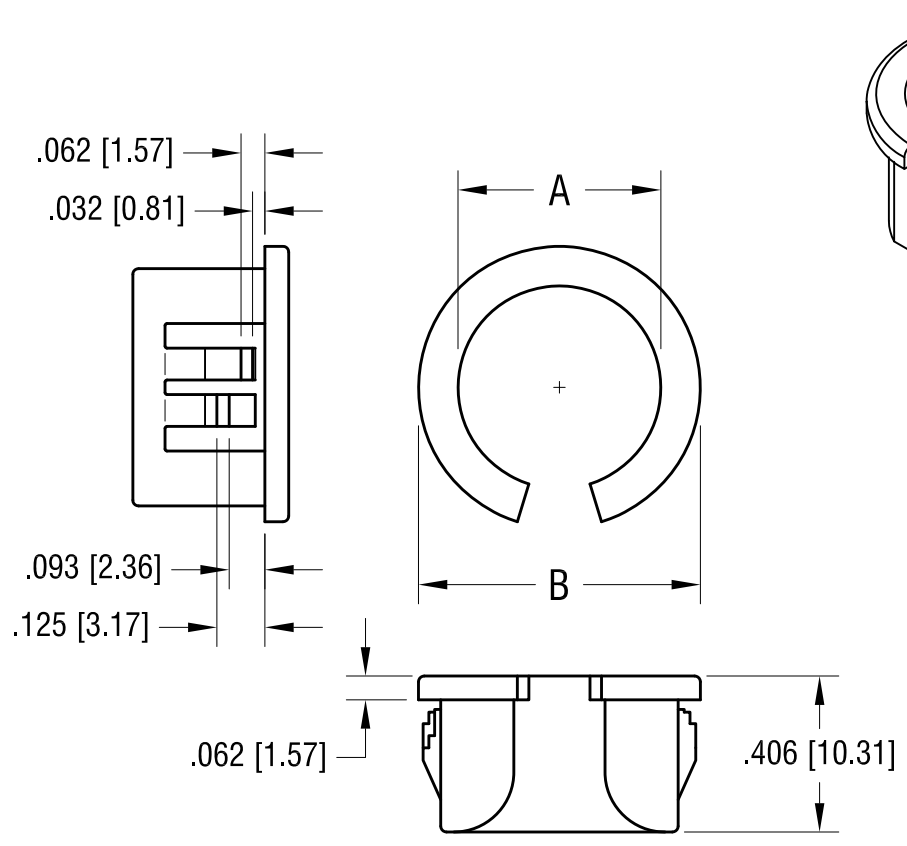


THIS DOCUMENT IS THE PROPERTY OF
KEYSTONE ELECTRONICS CORP. AND
SHALL NOT BE REPRODUCED, DISTRIBUTED
OR USED AS A BASIS FOR MANUFACTURE
WITHOUT PRIOR WRITTEN PERMISSION
FROM KEYSTONE ELECTRONICS CORP.



MOUNTING HOLE	'A' DIA.	'B' DIA.
.625 [15.88]	.453 [11.51]	.687 [17.45]

KEYSTONE ELECTRONICS CORP.
www.keyelco.com • ASTORIA, N.Y. 11105-2017 • Tel (718) 956-8900

PART NAME: **NYLON SPLIT BUSHING**

MATERIAL: **NYLON 6/6, BLACK UL 94V-2**

FINISH: -	DRN BY: BOONE	DATE: 1.18.07
	APP'D: LN	SCALE: NONE

TOLERANCES	INCH [MM]	CODE	DWG NO.
DECIMAL	$\pm .015$ [± 0.38]	C	8493
ANGULAR	$\pm 1^\circ$		

UNLESS OTHERWISE SPECIFIED

DATE	DESCRIPTION	REV.