

DATA CONTAINED IN THIS DOCUMENT IS PROPRIETARY TO EMERSON CONNECTIVITY SOLUTIONS AND SHALL NOT BE DISCLOSED, COPIED OR USED FOR PRODUCTION OR MANUFACTURE WITHOUT EXPRESS WRITTEN PERMISSION

REVISIONS			
REV	DESCRIPTIONS	DATE	APPROVED
L	ECO 52158	6/3/11	TSS

TABLE 1					
MODEL NO	NO OF HOLES	A DIM	B DIM	C DIM	(D) DIM
JSIB-24L	24	1.635	1.430	—	15.730
JSIB-32A	32	2.000	1.000	—	15.000
JSIB-40	40	1.615	.830	—	15.770
JSIB-48A	48	2.313	.625	—	14.375
JSIB-48	48	1.625	.625	0.750	15.750
JSIB-52	52	1.688	.625	—	15.625

TABLE 2	
STD JACKS ACCOMMODATION	
J24WHF, J24WTHF-75, J24W, J24WT-75, J15-N, J15W-N, J3, J3W, J3A, J3WA, J3D, J3WD, J3E-N, J3WE-N, J3C-N, J3WC-N, J5, J5W, J13-R, J13W-R, J13C-N-R, J13WC-N-R, J72, J72S-N, J72D, J14, J14W, J14C-N, J14WC-N, J14T-R, J14WT-R, J14M, J14MT-R, J14WMT-R, J14WM, J14A, J14WA, J214W/T-75	

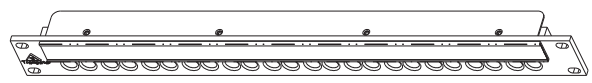
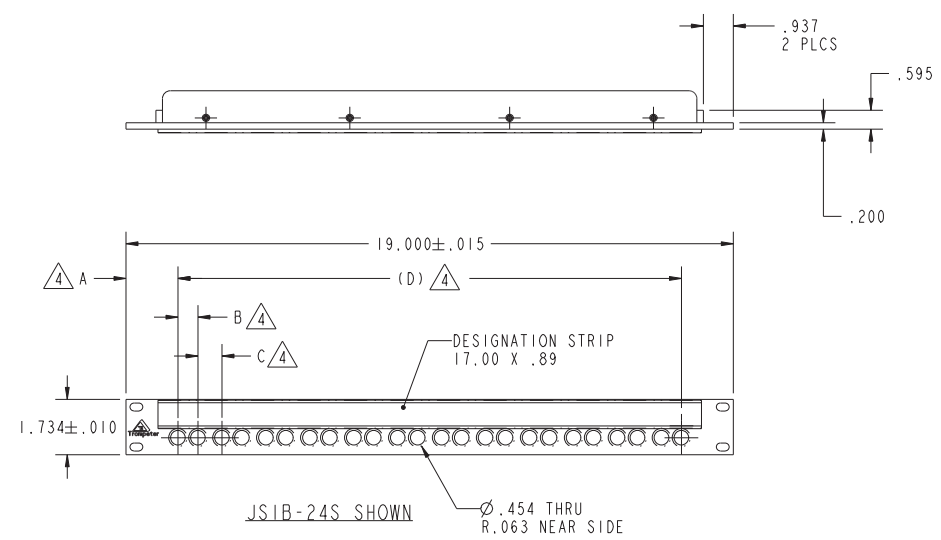
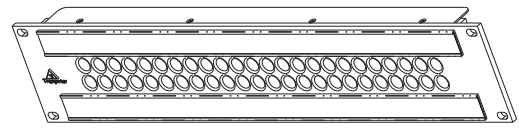
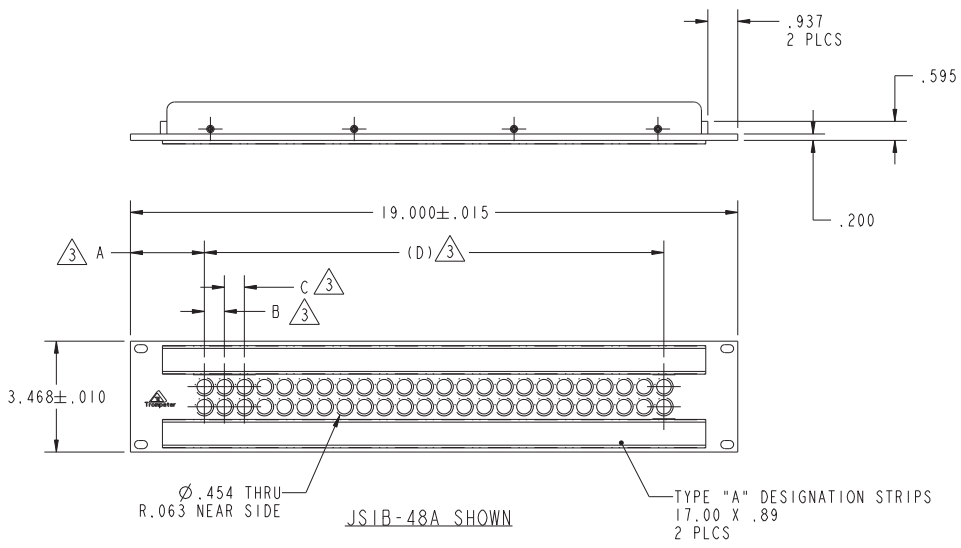


TABLE 3					
MODEL NO	NO OF HOLES	A DIM	B DIM	C DIM	(D) DIM
JSIB-24S	24	1.625	.625	.750	15.750
JSIB-26	26	1.688	.625	—	15.625

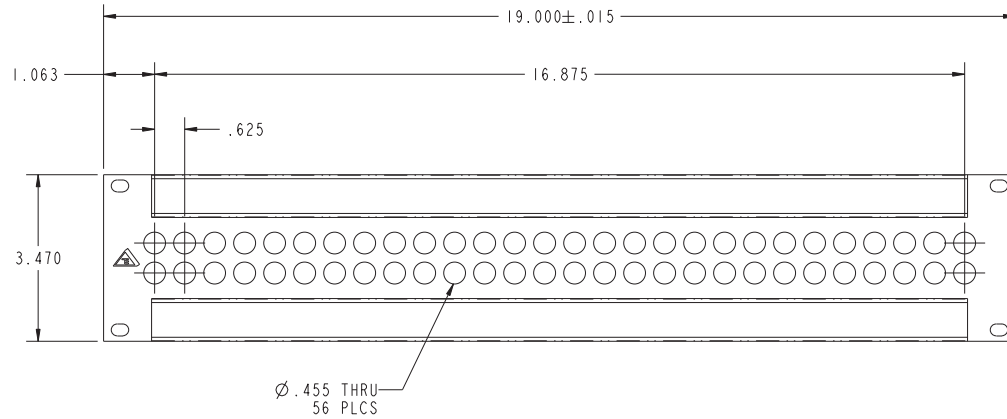
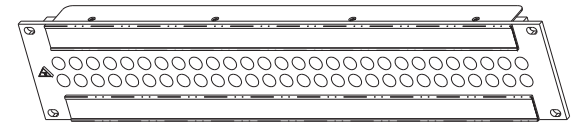
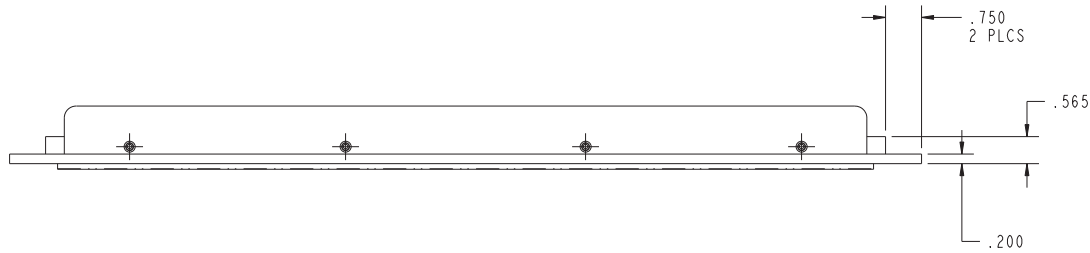
TABLE 4	
STD JACKS ACCOMMODATION	
J3, J3W, J3A, J3WA, J3D, J3WD, J3E-N, J3WE-N, J3C-N, J3WC-N, J5, J5W, J13-R, J13W-R, J13C-N-R, J13WC-N-R, J72, J72S-N, J72D,	

- 4. SEE TABLE 3 FOR NUMBER OF HOLES AND SPACING
- 3. SEE TABLE 1 FOR NUMBER OF HOLES AND SPACING
- 2. PANELS PER EIA-310
- 1. MATERIAL: PANEL: BLACK ARBORON
- 5. EXAMPLE OF COMPLETE MODEL NUMBER:

JSIB-48TB/J214W	JACK TYPE ONLY IF REQUIRED (SEE TABLE 2 OR 4)
JSIB-48TB	TIE BAR (OPTIONAL)
JSIB-48	BASIC MODEL NUMBER
48	NUMBER OF HOLES (SEE TABLES 1 OR 3)

NOTES: UNLESS OTHERWISE SPECIFIED.

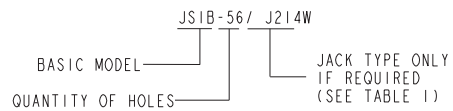
I INTERPRET DRAWING PER MIL-STD-100. DIMENSIONS ARE IN INCHES AND INCLUDE FINISH THICKNESS UNLESS OTHERWISE SPECIFIED.		TOL: UNLESS SPECIFIED: .XX ± .01 .XXX ± .003 .XXXX ± .0010 ANGLE ± 1° 00'		<p>Cinch Connectivity Solutions 299 Johnson Ave. Ste. 100 Waseca, MN 56093 1-800-247-8256</p>								
DRN BPK 6/3/11	CHK TSS 6/6/11	MATERIAL: [Symbol]	FINISH: [Symbol]									
APPROVED		TITLE: JSIB BLACK		<table border="1"> <tr> <td>SIZE C 14949</td> <td>CAGE CODE 155-0902</td> <td>DRAWING NO. 155-0902</td> <td>REV. L</td> </tr> <tr> <td colspan="2">DO NOT SCALE DWG</td> <td>SCALE 3:1</td> <td>DATE 1/13/97</td> </tr> </table>	SIZE C 14949	CAGE CODE 155-0902	DRAWING NO. 155-0902	REV. L	DO NOT SCALE DWG		SCALE 3:1	DATE 1/13/97
SIZE C 14949	CAGE CODE 155-0902	DRAWING NO. 155-0902	REV. L									
DO NOT SCALE DWG		SCALE 3:1	DATE 1/13/97									
SURFACE AREA		PROJ/FILE NO. 155-0902		SHEET 1 OF 4								



JS1B-56 SHOWN

TABLE I
STD JACKS ACCOMMODATION
J24WHF, J24WTHF-75, J24W, J24WT-75, J15-N, J15W-N, J3, J3W, J3A, J3WA, J3D, J3WD, J3E-N, J3WE-N, J3C-N, J3WC-N, J5, J5W, J13-R, J13W-R, J13C-N-R, J13WC-N-R, J72, J72S-N, J72D, J14, J14W, J14C-N, J14WC-N, J14T-R, J14WT-R, J14M, J14MT-R, J14WMT-R, J14WM, J14A, J14WA, J214W/T-75

3. EXAMPLE OF COMPLETE MODEL NUMBER:



2. PANELS PER EIA-310

☐ MATERIAL: PANEL: BLACK ARBORON

NOTES: UNLESS OTHERWISE SPECIFIED.