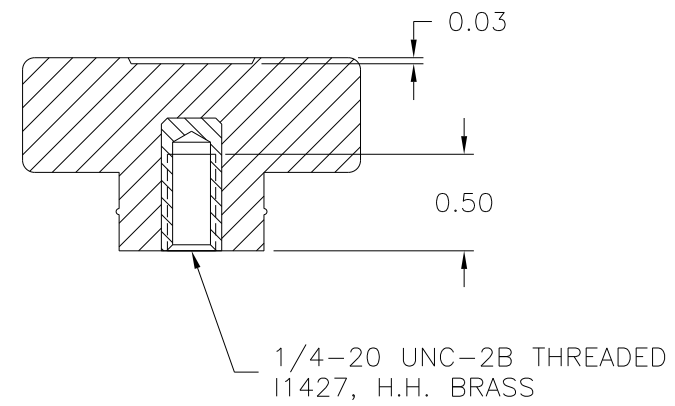
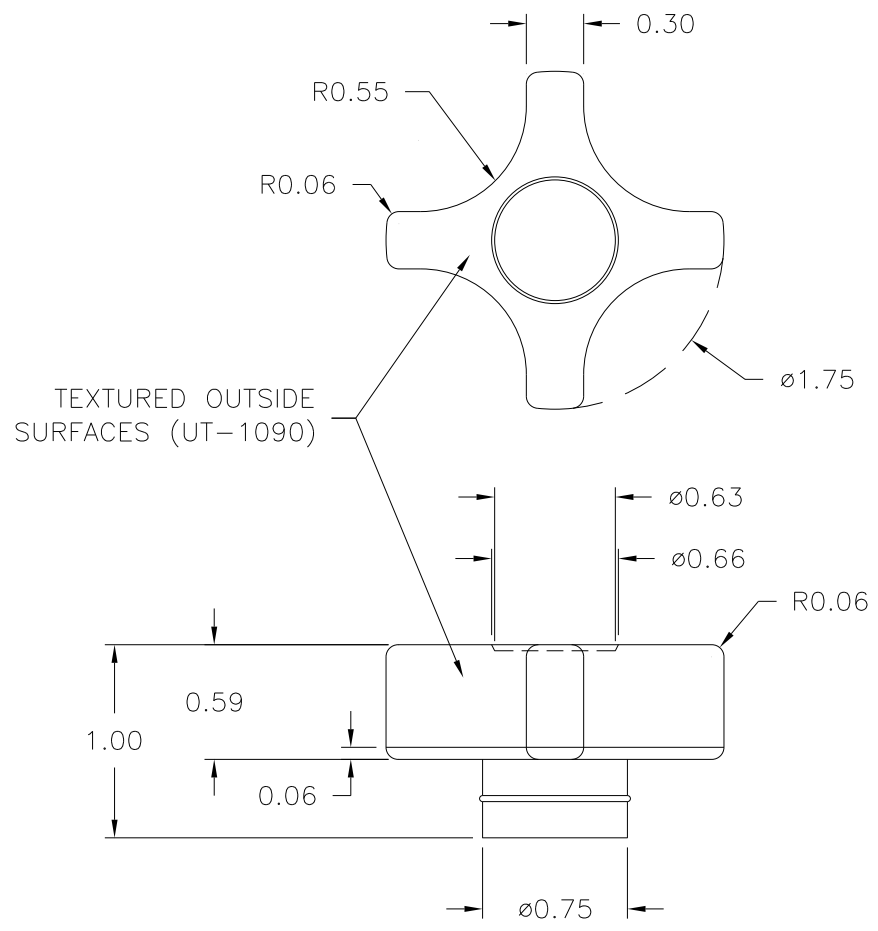


PART NAME: KNOB SCALE: 1:1 DATE: 3/16/94 DR. BY HD

THIS DRAWING IS THE PROPERTY OF DAVIES MOLDING COMPANY, IS SUBMITTED SOLELY AS A DESIGN OR ENGINEERING PROJECT. WE ACCEPT NO RESPONSIBILITY WHATSOEVER FOR THE PRACTICAL APPLICATION OF THE PIECES MADE TO THIS DESIGN.

DAVIES MOLDING DESIGNERS & MANUFACTURERS OF KNOBS, HANDLES, CASES & CUSTOM PLASTIC COMPONENTS

P/N	2825
M ^{NO.}	73
CAVITY	2825
CORE	2825
CAVITY PLUG	2825
SLEEVE	2825
PIN	2825
② PIN SHIM	0.025 (FRM 73#2)
INSERT	I1427



MATERIAL: 20% TALC-FILLED POLYPROPYLENE (BC9) ①
 COLOR: BLACK

TOLERANCES: UNLESS OTHERWISE SPECIFIED	DO NOT SCALE DRAWING			
DECIMALS: X.XXX ± .005 X.XX ± .015	MM: X.XX ± 0.15MM X.X ± 0.4MM	B	ADDED PIN SHIM	TS 6/17/03
		-	REDRAWN	TL 11/19/99
FRACTIONS ± 1/64	ANG. ± 1°	A	WAS NYLON	HD 1/9/98
CHANGES				