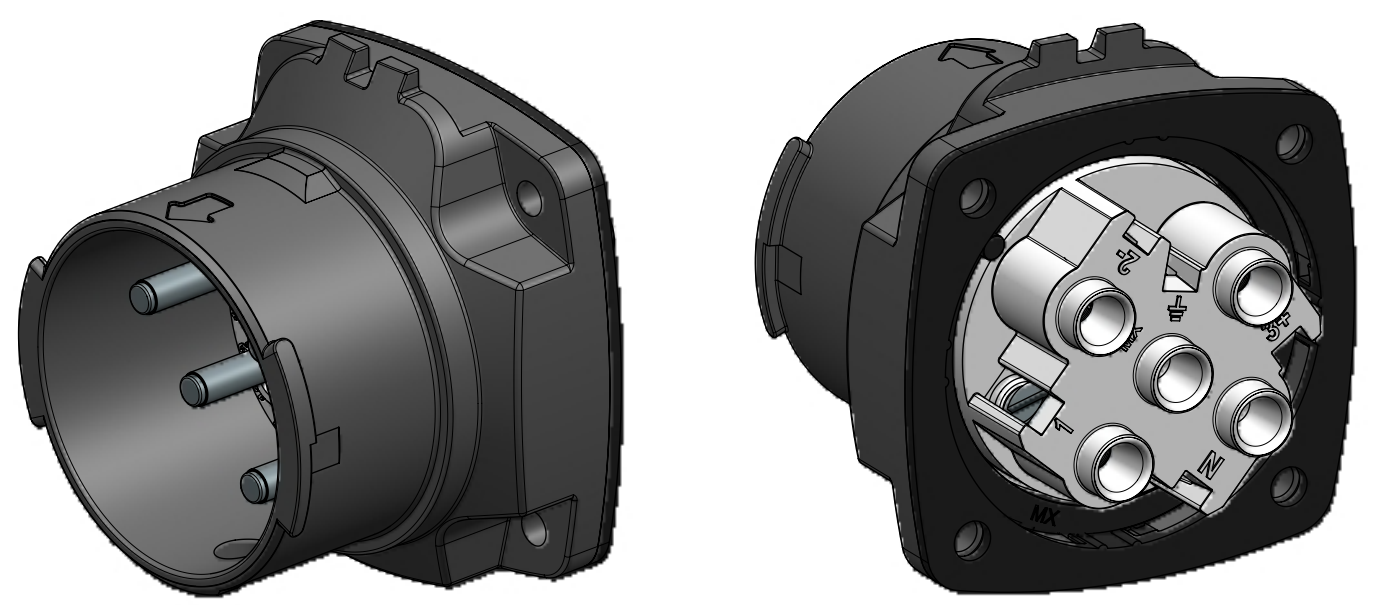
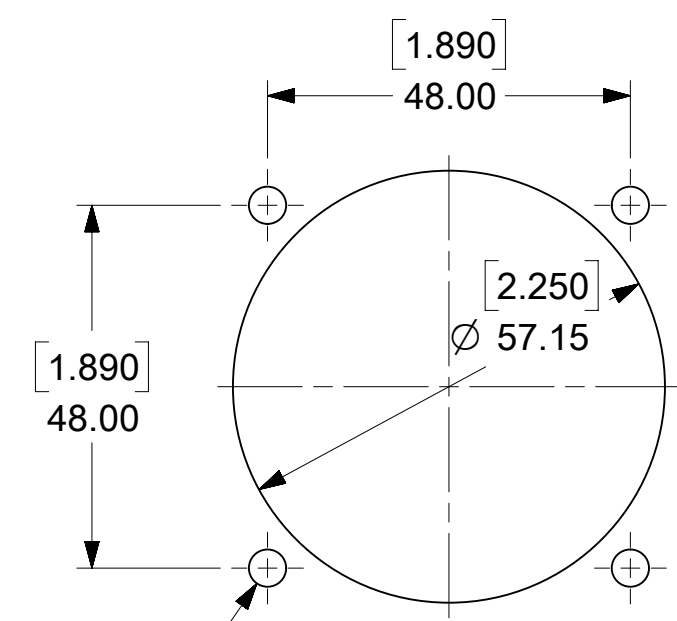
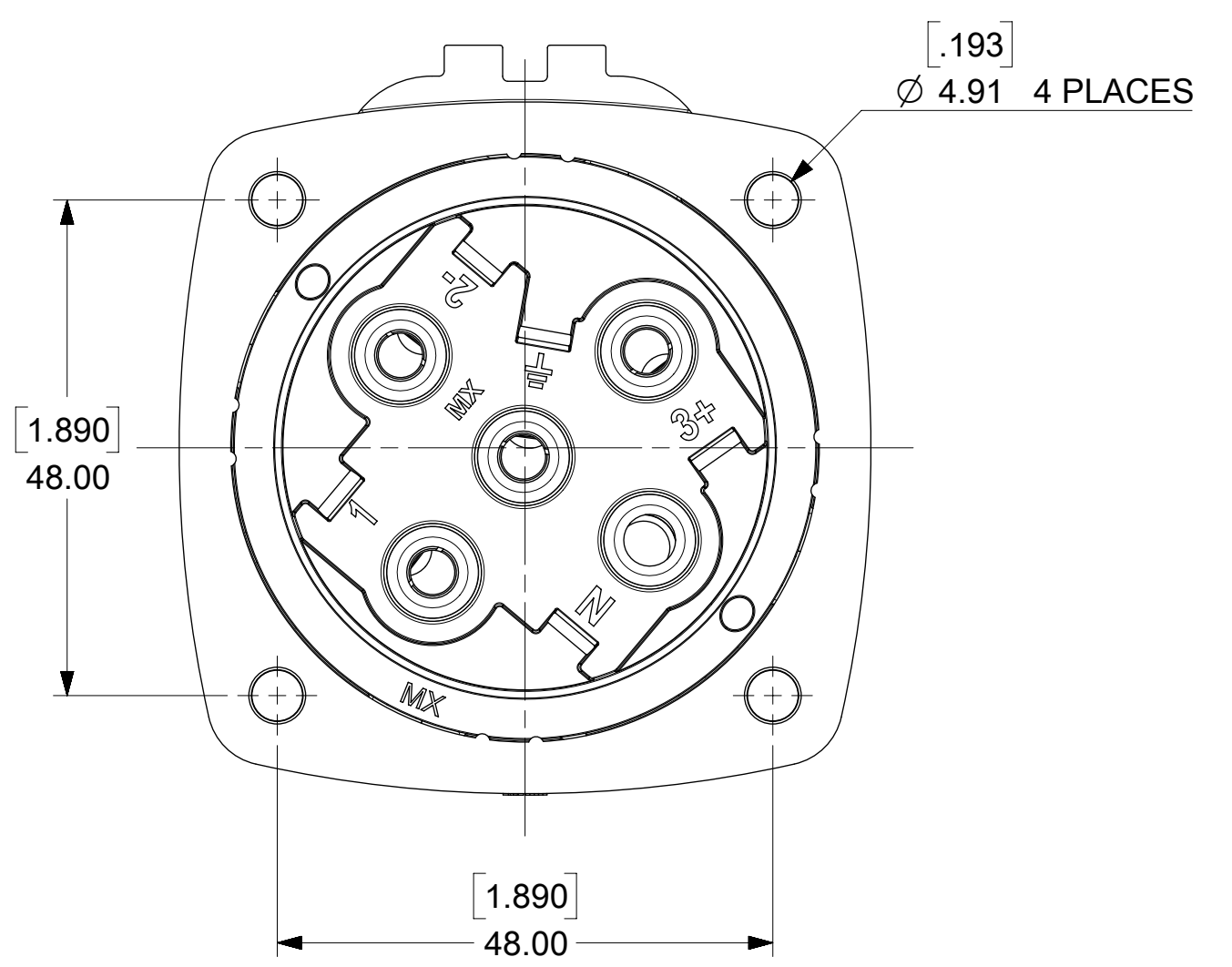
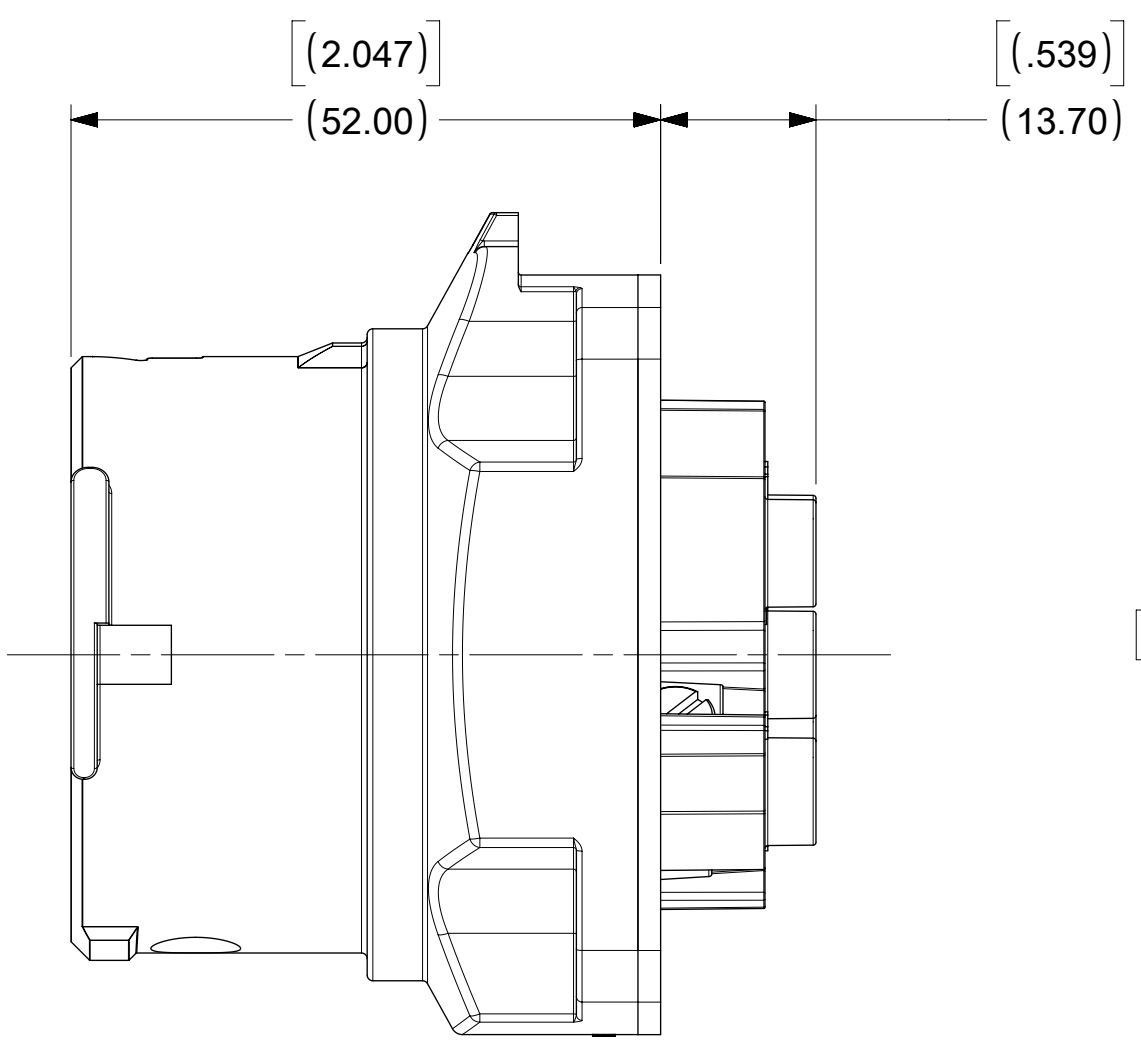
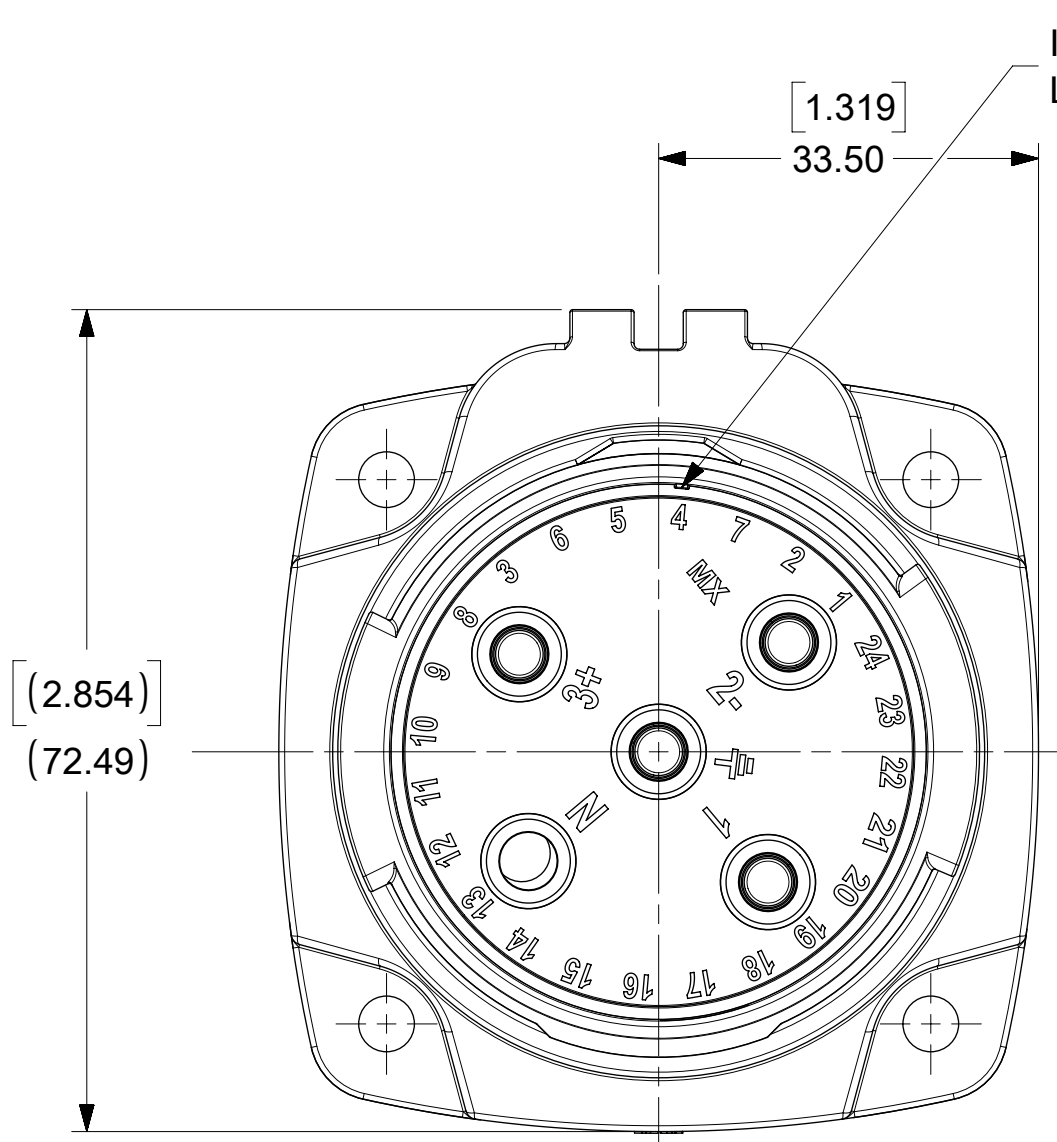


MATERIAL NUMBER	ENG NO.	DESCRIPTION	INSULATOR KEYING POSITION	HORSEPOWER RATING
1122191001	ARC30MA01	ARC 30A M 125VAC 1P+N+G	7	1 HP
1122191002	ARC30MB02	ARC 30A M 250VAC 2P+G		3 HP
1122191003	ARC30MB03	ARC 30A M 250VAC 3P+G		5 HP
1122191004	ARC30MAB04	ARC 30A M 125/250VAC 2P+N+G	16	NA
1122191005	ARC30MC02	ARC 30A M 208VAC 2P+G		NA
1122191006	ARC30MC03	ARC 30A M 208VAC 3P+G		5 HP
1122191007	ARC30MAC05	ARC 30A M 120/208VAC 3P+N+G	4	NA
1122191008	ARC30MD01	ARC 30A M 277VAC 1P+N+G		NA
1122191009	ARC30ME02	ARC 30A M 480VAC 2P+G		NA
1122191010	ARC30ME03	ARC 30A M 480VAC 3P+G	14	10 HP
1122191011	ARC30MDE05	ARC 30A M 277/480VAC 3P+N+G		NA
1122191012	ARC30MF02	ARC 30A M 600VAC 2P+G		NA
1122191013	ARC30MF03	ARC 30A M 600VAC 3P+G	14	NA
1122191014	ARC30MGF05	ARC 30A M 347/600VAC 3P+N+G		NA



SCALE 1:1

MOUNTING PATTERN
 CLEARANCE FOR 8-32 FASTENER



NOTES:

- MATERIALS:**
 HOUSINGS AND INSULATORS: GLASS FILLED PBT
 CONTACTS: COPPER ALLOY WITH A SILVER NICKEL TIP, SILVER PLATED.
 MOUNTING GASKET: SILICONE
- RATING:**
 CURRENT: 30 AMPS
 VOLTAGE AND HORSEPOWER: SEE TABLE
 OPERATING TEMPERATURE: -40°C (-40°F) TO 60°C (140°F)
 ENVIRONMENTAL: TYPE 4X, IP69K
 WIRING CAPACITY: 12 AWG MIN. TO 8 AWG MAX.
 TORQUE TERMINAL SCREWS TO 1.7 N-M (15 in/lbs)
 AGENCY: UL LISTING PENDING
 SWITCH RATED INLET/PLUG
 BRANCH CIRCUIT DISCONNECT SWITCH
 MOTOR CIRCUIT DISCONNECT SWITCH IF HP RATED

ARC30ME03 SHOWN

SYMBOLS	THIS DRAWING CONTAINS INFORMATION THAT IS PROPRIETARY TO MOLEX ELECTRONIC TECHNOLOGIES, LLC AND SHOULD NOT BE USED WITHOUT WRITTEN PERMISSION			
	DIMENSION UNITS	SCALE		CURRENT REV DESC: ADDED 10HP,NEW
▽ = 0	INCH	1.5:1		NOTES
▽ = 0	GENERAL TOLERANCES (UNLESS SPECIFIED)			EC NO: 604773
▽ = 0		MM	INCH	
▽ = 0	4 PLACES	±	±	DRWN: MJANTELEZIO 2018/09/20
▽ = 0	3 PLACES	±	±	CHK'D: JFMURPHY 2018/11/05
▽ = 0	2 PLACES	±	±	APPR: JFMURPHY 2018/11/05
▽ = 0	1 PLACE	±	±	INITIAL REVISION:
▽ = 0	0 PLACES	±	±	DRWN: DRWN BY XXXX/XX/XX
▽ = 0	ANGULAR TOL	±	°	APPR: APPR BY XXXX/XX/XX
▽ = 0	DRAFT WHERE APPLICABLE MUST REMAIN WITHIN DIMENSIONS		THIRD ANGLE PROJECTION	DRAWING C-SIZE
▽ = 0				SERIES 112219
DOCUMENT STATUS		P1	RELEASE DATE	2018/11/05 17:31:31
DOCUMENT NUMBER		CUSTOMER		SHEET NUMBER
1122191010		GENERAL MARKET		1 OF 1



ARC 30A M 480VAC 3P+G

PRODUCT CUSTOMER DRAWING

THIS DRAWING REPLACES SD-112219-101			
DOCUMENT STATUS	P1	RELEASE DATE	2018/11/05 17:31:31