

Customer Information Sheet

DRAWING No.: M20-610XX45

SHEET 2 OF 2

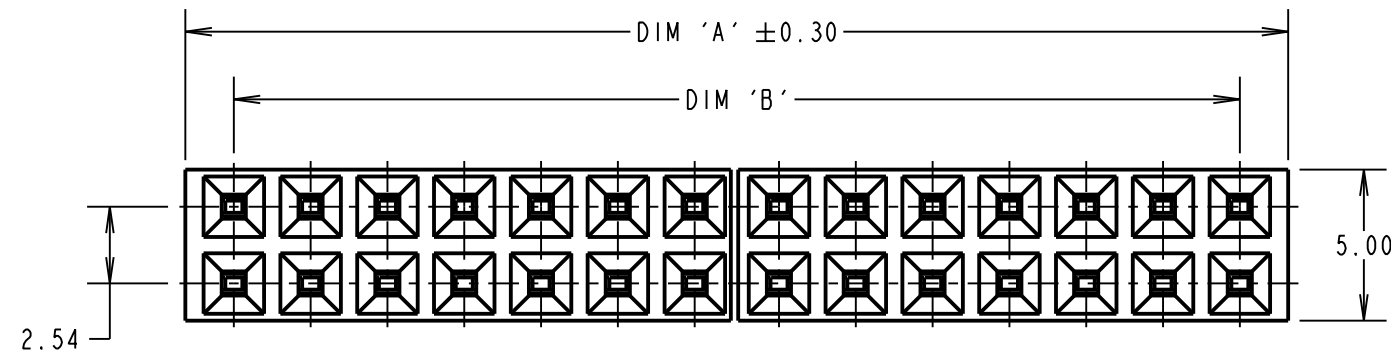
IF IN DOUBT - ASK

©

NOT TO SCALE

THIRD ANGLE PROJECTION

ALL DIMENSIONS IN mm



NOTES:
1. ALL TOLERANCES ARE ± 0.20 UNLESS OTHERWISE STATED.

SPECIFICATION:

MATERIAL:
MOULDING = HIGH TEMP NYLON 6T UL94V-0, BLACK
CONTACTS = PHOSPHOR BRONZE

FINISH:
CONTACTS = 0.08 μ m GOLD OVER NICKEL

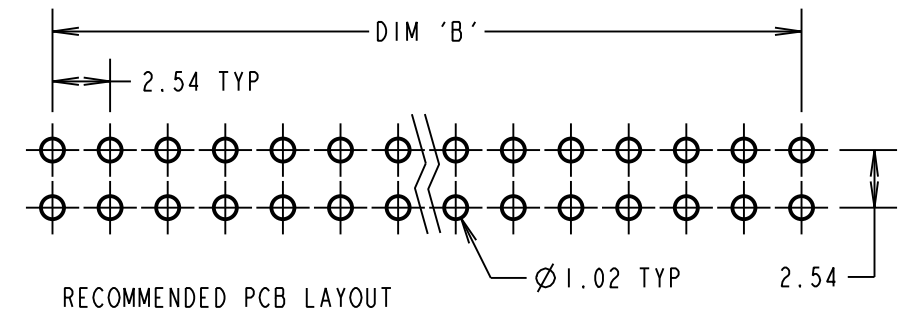
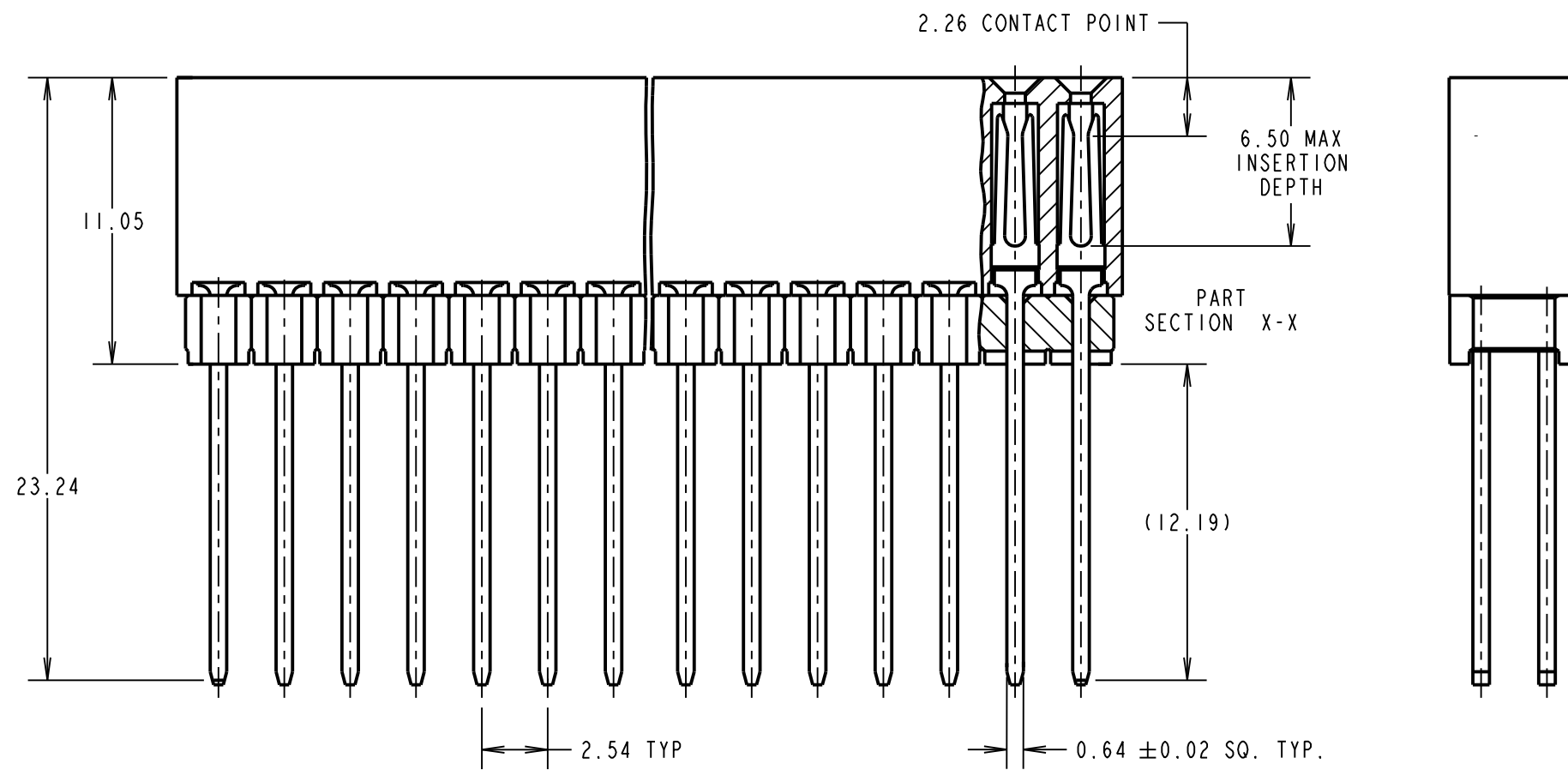
ELECTRICAL:
CURRENT RATING = 3A MAX
CONTACT RESISTANCE = 30m Ω MAX
INSULATION RESISTANCE = 5,000M Ω MIN
VOLTAGE PROOF = 1,000V AC FOR ONE MINUTE

MECHANICAL:
INSERTION FORCE (PER CONTACT) = 2.0N/MAX
WITHDRAWAL FORCE (PER CONTACT) = 0.3N MIN

ENVIRONMENTAL:
TEMPERATURE RANGE = -55°C TO +105°C

PACKING:
TUBE

FOR COMPLETE SPECIFICATIONS, SEE COMPONENT SPECIFICATION C039XX (LATEST ISSUE)



No. OF CONTACTS PER ROW	DIM 'A'	DIM 'B'
20	51.46	48.26
32	81.94	78.74

HARWIN

www.harwin.com
technical@harwin.com

THIS DRAWING AND ANY INFORMATION OR DESCRIPTIVE MATTER SET OUT HEREON ARE CONFIDENTIAL AND COPYRIGHT PROPERTY OF THE HARWIN GROUP AND MUST NOT BE DISCLOSED, LOANED, COPIED OR USED FOR MANUFACTURING, TENDERING OR FOR ANY OTHER PURPOSE WITHOUT THEIR WRITTEN PERMISSION.

TOLERANCES
X = ± 1 mm
X.X = ± 0.50 mm
X.XX = ± 0.10 mm
X.XXX = ± 0.01 mm
ANGLES = $\pm 5^\circ$
UNLESS STATED

MATERIAL:
SEE ABOVE

FINISH:
SEE ABOVE

S/AREA:
mm²

TITLE:
PCI04 CONNECTOR (STACKTHROUGH)

DRAWING NUMBER:
M20-610XX45

SHT 2 OF 2

ORDER CODE:
M20-610XX45

No. OF CONTACTS PER ROW:
20, 32

FINISH:
45 = GOLD ALL OVER NICKEL

FM	ISS.	DATE	C/NOTE
13		16.04.18	21227
APPROVED: F. MCGOWAN			
CHECKED: M. PLESTED			
DRAWN: W.J. BOURNE			
CUSTOMER REF.:			
ASSEMBLY DRG:			