

RF Power MOSFET Transistor 15W, 2-175MHz, 12V

M/A-COM Products
Released; RoHS Compliant

Features

- N-Channel enhancement mode device
- DMOS structure
- Lower capacitances for broadband operation
- High saturated output power
- Lower noise figure than bipolar devices
- Specifically designed for 12 volt applications

ABSOLUTE MAXIMUM RATINGS AT 25° C

Parameter	Symbol	Rating	Units
Drain-Source Voltage	V_{DS}	40	V
Gate-Source Voltage	V_{GS}	20	V
Drain-Source Current	I_{DS}	4	A
Power Dissipation	P_D	87.5	W
Junction Temperature	T_J	200	°C
Storage Temperature	T_{STG}	-55 to +150	°C
Thermal Resistance	θ_{JC}	2	°C/W

TYPICAL DEVICE IMPEDANCE

F (MHz)	Z_{IN} (Ω)	Z_{LOAD} (Ω)
30	3.0 - j25	4.0 - j3.0
100	3.0 - j15	3.5 - j1.5
175	5.0 - j8	4.0 - j0.0
$V_{DD} = 12V, I_{DQ} = 100mA, P_{OUT} = 15W$		

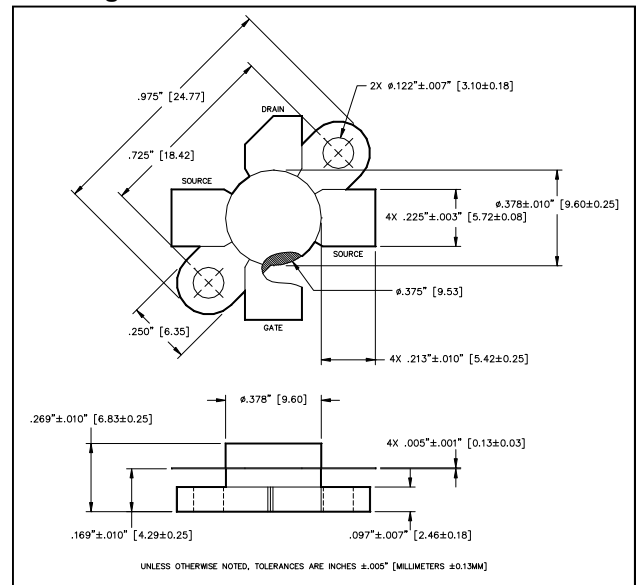
Z_{IN} is the series equivalent input impedance of the device from gate to source.

Z_{LOAD} is the optimum series equivalent load impedance as measured from drain to ground.

ELECTRICAL CHARACTERISTICS AT 25°C

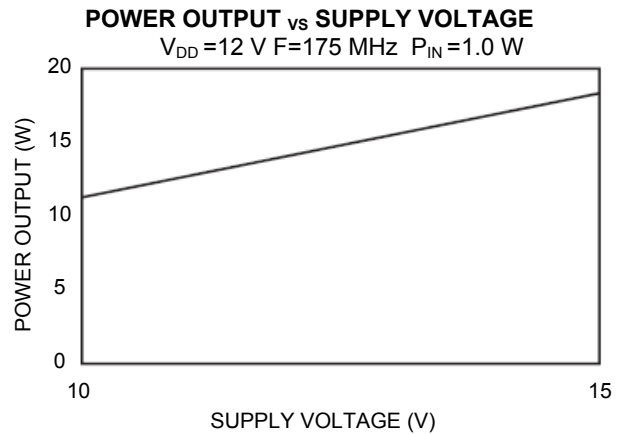
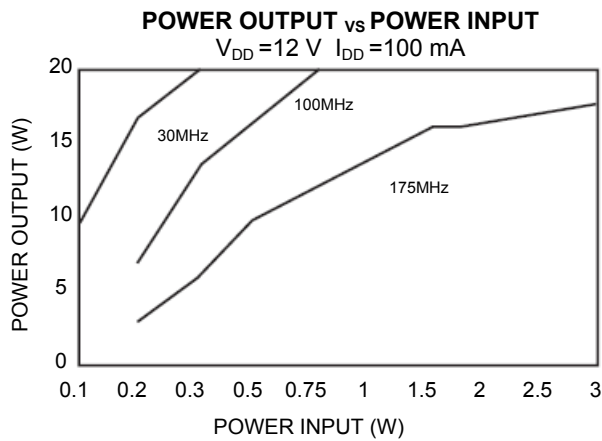
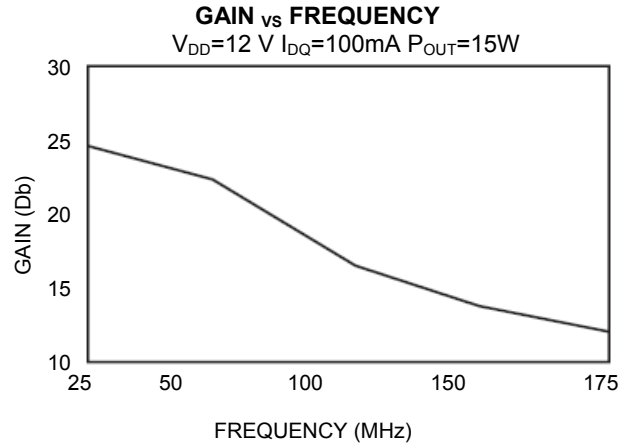
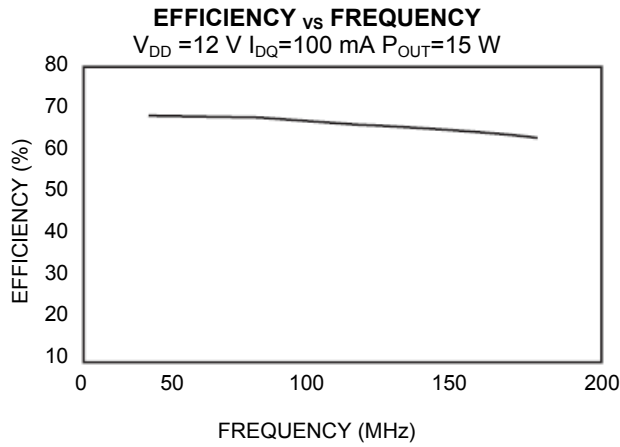
Parameter	Symbol	Min	Max	Units	Test Conditions
Drain-Source Breakdown Voltage	BV_{DSS}	40	-	V	$V_{GS} = 0.0 V, I_{DS} = 5.0 mA$
Drain-Source Leakage Current	I_{DSS}	-	1.0	mA	$V_{GS} = 15.0 V, V_{DS} = 0.0 V$
Gate-Source Leakage Current	I_{GSS}	-	1.0	μA	$V_{GS} = 20.0 V, V_{DS} = 0.0 V$
Gate Threshold Voltage	$V_{GS(TH)}$	2.0	6.0	V	$V_{DS} = 10.0 V, I_{DS} = 100 mA$
Forward Transconductance	G_M	0.5	-	S	$V_{DS} = 10.0 V, I_{DS} = 1000 mA, \Delta V_{GS} = 1.0 V$
Input Capacitance	C_{ISS}	-	50	pF	$V_{DS} = 12.0 V, F = 1.0 MHz$
Output Capacitance	C_{OSS}	-	60	pF	$V_{DS} = 12.0 V, F = 1.0 MHz$
Reverse Capacitance	C_{RSS}	-	12	pF	$V_{DS} = 12.0 V, F = 1.0 MHz$
Power Gain	G_P	9.5	-	dB	$V_{DD} = 12.0 V, I_{DQ} = 100 mA, P_{OUT} = 15 W F = 175 MHz$
Drain Efficiency	η_D	60	-	%	$V_{DD} = 12.0 V, I_{DQ} = 100 mA, P_{OUT} = 15 W F = 175 MHz$
Load Mismatch	VSWR-T	-	30:1	-	$V_{DD} = 12.0 V, I_{DQ} = 100 mA, P_{OUT} = 15 W F = 175 MHz$

Package Outline

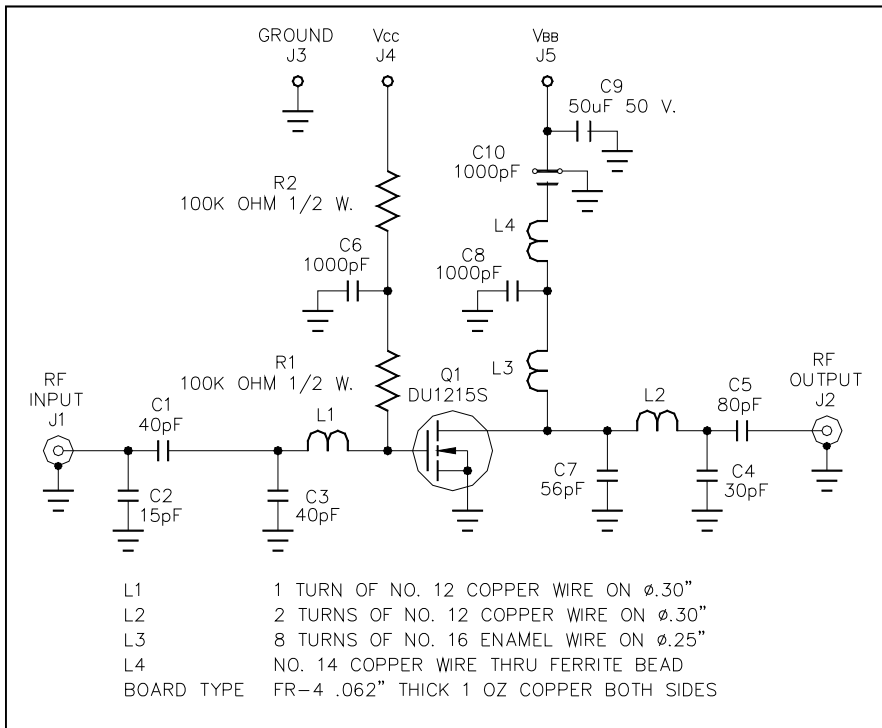


LETTER DIM	MILLIMETERS		INCHES	
	MIN	MAX	MIN	MAX
A	24.64	24.89	.970	.980
B	18.29	18.54	.720	.730
C	20.07	20.83	.790	.820
D	9.47	9.73	.373	.383
E	6.22	6.48	.245	.255
F	5.64	5.79	.222	.228
G	2.92	3.30	.115	.130
H	2.29	2.67	.090	.105
J	4.04	4.55	.159	.179
K	6.58	7.39	.259	.291
L	.10	.15	.004	.006

Typical Broadband Performance Curves



TEST FIXTURE SCHEMATIC



TEST FIXTURE ASSEMBLY

