



10 Watt F-Series Adapter Supports Interchangeable AC Clips



Features

- Folding Blades
- Constant Current for Battery Charging
- 15mm Thick with Blades Folded
- Interchangeable AC Clips
- Level VI Efficiency Compliant
- No load power draw <0.15W

Applications

- Tablets
- Networking Equipment
- Personal Electronics
- Peripherals

Safety Approvals

- cUL/UL
- RCM
- CCC³
- CE
- CB

Mechanical Characteristics

- Length: 60mm (2.36in)
- Width: 47mm (1.85in)
- Height: 15.0mm (0.59in)
- Weight: 38.5g (1.36oz)

Output Specifications

Model	DC Output Voltage			Load	
	Min.	Typ.	Max.	Min.	Max.
PSA10F-050Q-R	4.75V	5V	5.25V	0A	2A
PSA10F-050Q(D)-R ¹	4.75V	5V	5.25V	0A	2A
PSA10F-050Q(S)-R ²	4.75V	5V	5.25V	0A	2A
PSA10FC-050Q-R ³	4.75V	5V	5.25V	0A	2A

Notes (1): D model output to compensate for DC drops in the USB cable by 400mV at full load
 (2): S model output to compensate for DC drops in the USB cable by 400mV and has termination resistors suitable for Apple products* *Apple is a trademark of Apple Corporation
 (3): China Model – CCC approval only

Phihong is not responsible for any error, and reserves the right to make changes without notice. Please visit our website at www.phihong.com for the most up-to-date specifications and contact information.

INPUT:**AC Input Voltage Range**

90 to 264V AC

AC Input Voltage Rating

100 to 240V AC

AC Input Frequency

47 to 63Hz

AC Input Current

0.3A RMS maximum at 120V AC

0.15A RMS maximum at 240V AC

Leakage Current

100uA maximum at 240V AC

Inrush Current

60A at 240V AC

OUTPUT:**Output Power**

10W Continuous

Efficiency

DOE Level VI; EU CoC Ver 5 Tier 1

Standby Power

<100mW

Ripple and Noise

100mVp-p at 0A-1A load

200mVp-p at 1A-2A load

Current Limit

2.5A when less than 3V (auto-restart)

ENVIRONMENTAL:**Temperature**

Operating 0 to 40C

Non-operating -40 to +85C

Humidity 10 to 90%

EMI

Complies with FCC Class B

Complies with EN55032 Class B

Immunity

ESD: EN61000-4-2 Level 3

Radiated: EN61000-4-3 Level 2

EFT: EN61000-4-4 Level 2

Surge: EN61000-4-5 Level 3

C/T: EN61000-4-6 Level 2

PFMT: EN61000-4-8

VDT: EN61000-4-11

Harmonic: EN61000-3-2 Class A

Flicker: EN61000-3-3

Dielectric Withstand (HI-POT) Test

Primary to secondary: 3000V AC, 10mA, 60 seconds

Insulation Resistance

Primary to secondary: 500V >7M OHM

FEATURES:**Over Voltage Protection**

Auto-restart 6.3V maximum

Short Circuit Protection

Must withstand continuous short circuit

Over Temperature Protection

Auto shutdown without fault

DC Output

USB A

AC Input

US Fixed Blade folding prong

*China Fixed Blade folding prong PSA10FC-050Q

Interchangeable AC Clips (fit over US prongs) Sold Separately

FPBAG: FPE, FPK, FPS

FPB: Brazil

FPE: Europe

FPH: Korea

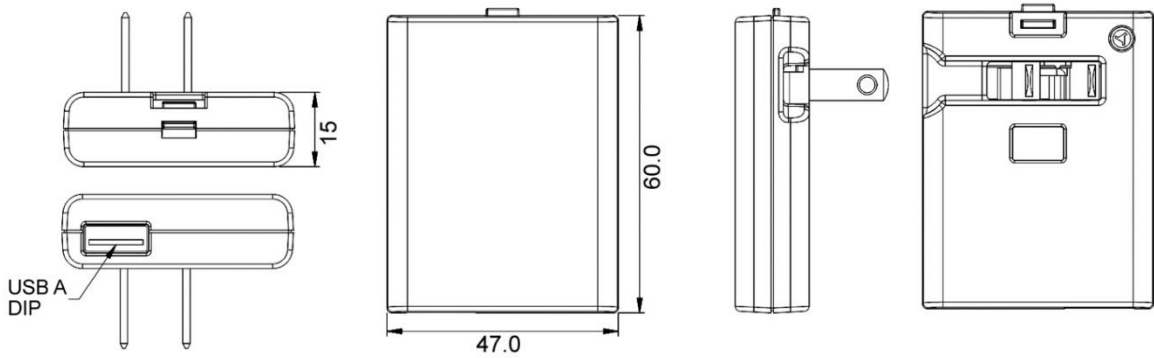
FPI: India

FPK: UK

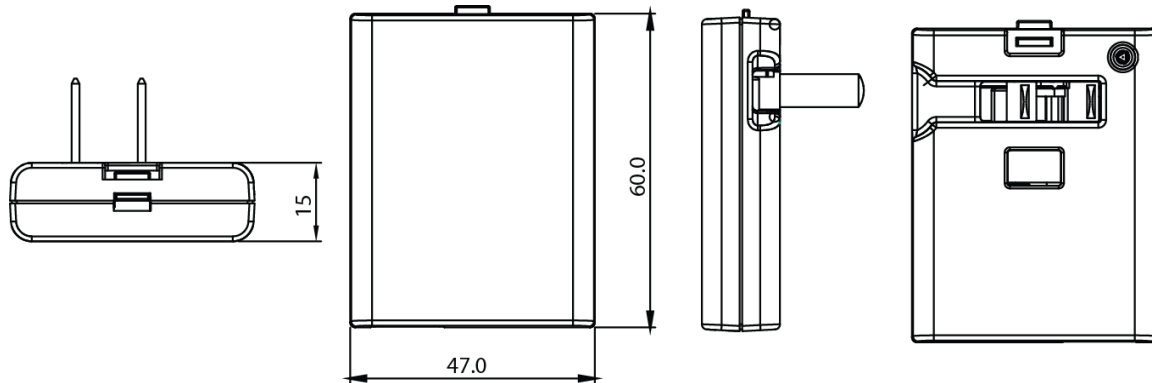
FPN: Argentina

FPS: Australia

PSA10F-050Q **Dimension Diagram Unit: mm**



PSA10FC-050Q **Dimension Units:mm**



**Supplier's Declaration of Conformity
47 CFR § 2.1077 Compliance Information**

**PSA10F-050Q-R
PSA10F-050Q(D)-R
PSA10F-050Q(S)-R**

Phihong USA Corporation
47800 Fremont Boulevard
Fremont, CA 94538
Telephone: (510) 445-0100
www.phihong.com

NOTE: The models above have been tested and found to comply with the limits for a Class B digital device, pursuant to part 15 of the FCC Rules. These limits are designed to provide reasonable protection against harmful interference in a residential installation. This equipment generates, uses and can radiate radio frequency energy and, if not installed and used in accordance with the instructions, may cause harmful interference to radio communications. However, there is no guarantee that interference will not occur in a particular installation. If this equipment does cause harmful interference to radio or television reception, which can be determined by turning the equipment off and on, the user is encouraged to try to correct the interference by one or more of the following measures:

- Reorient or relocate the receiving antenna.
- Increase the separation between the equipment and receiver.
- Connect the equipment into an outlet on a circuit different from that to which the receiver is connected.
- Consult the dealer or an experienced radio/TV technician for help.

Changes or modifications to equipment not expressly approved by PHIHONG could void the user's authority to operate the equipment.