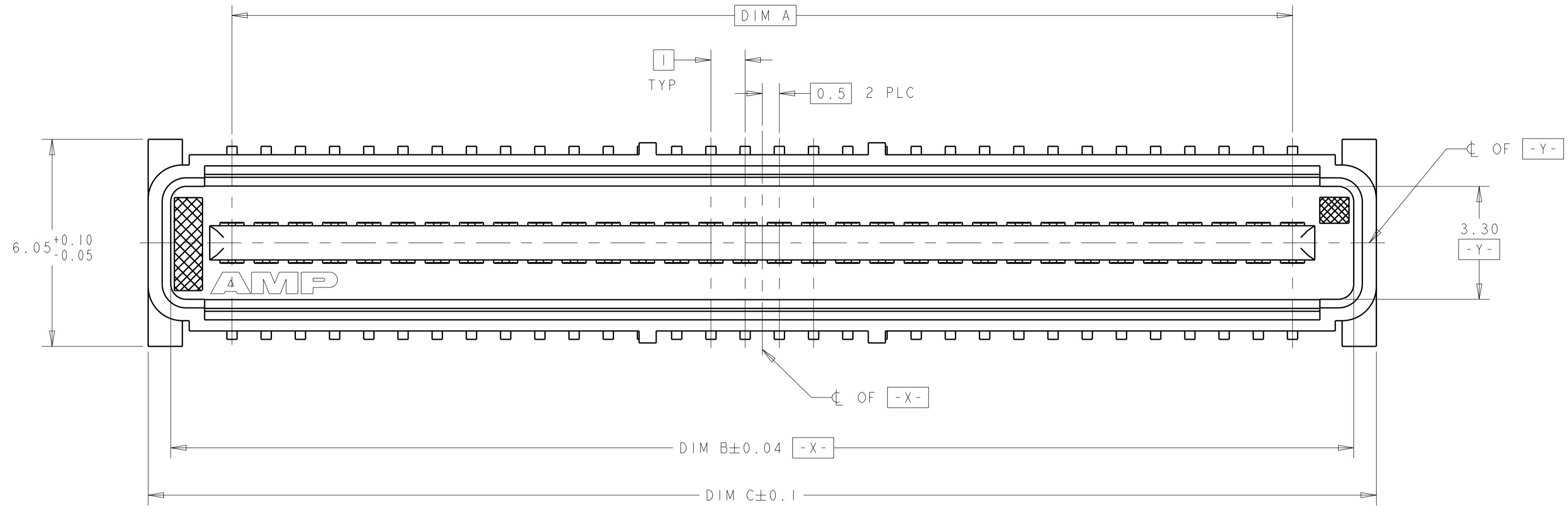
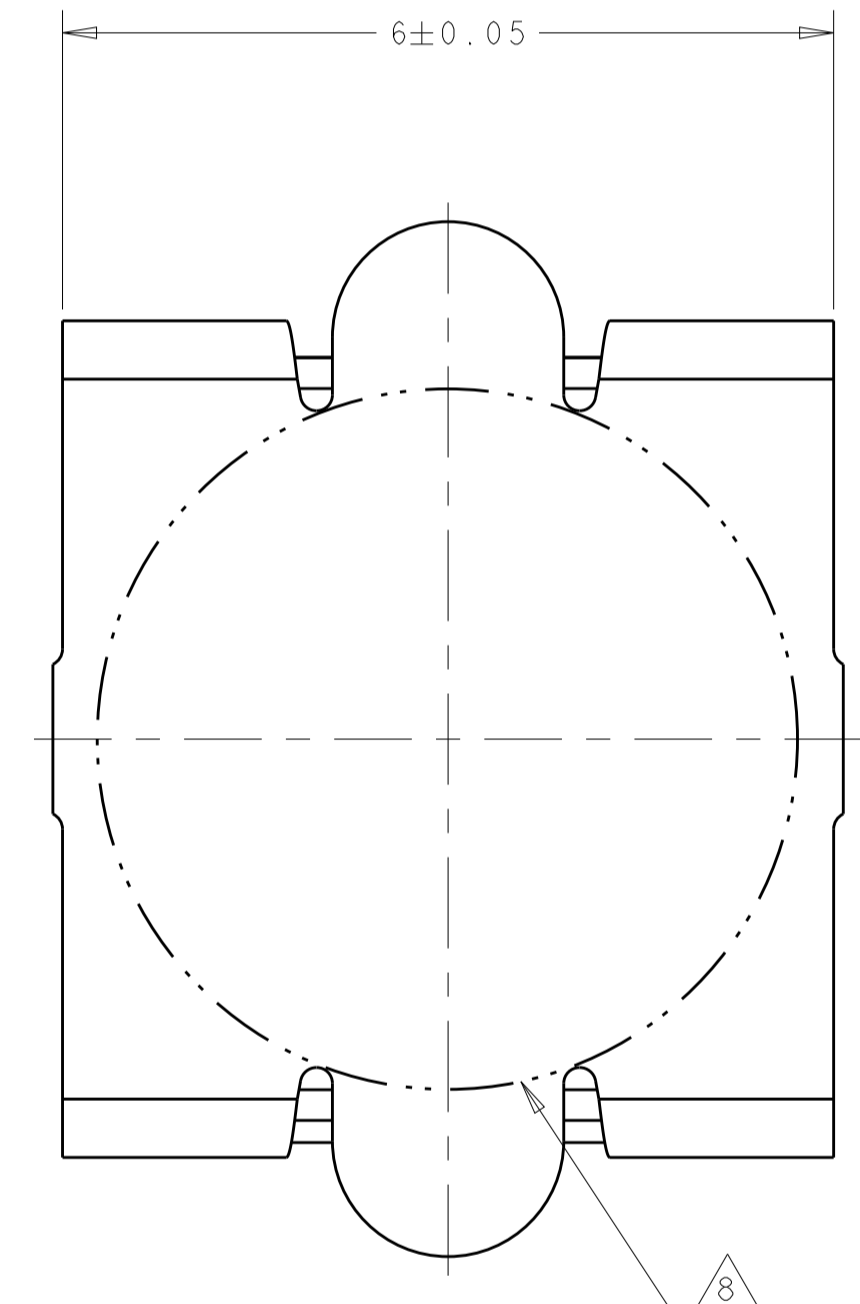
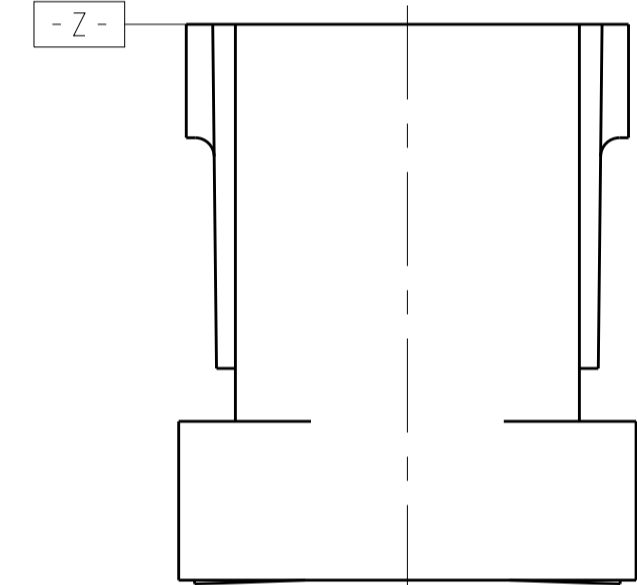
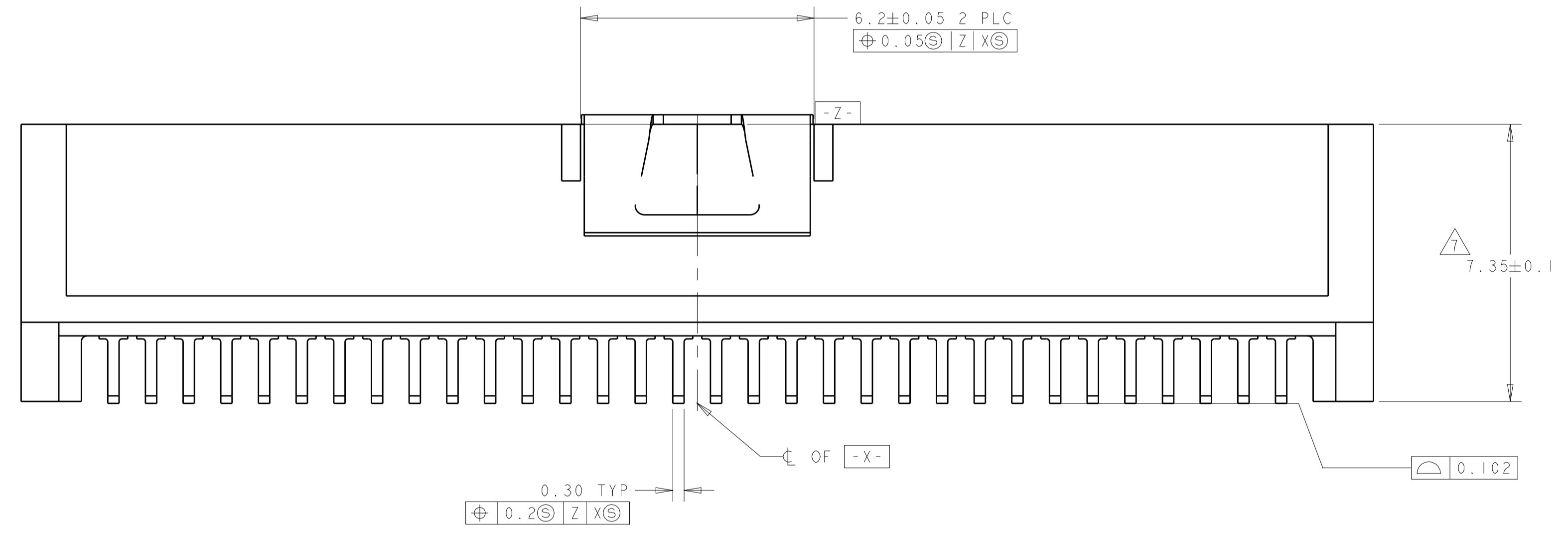


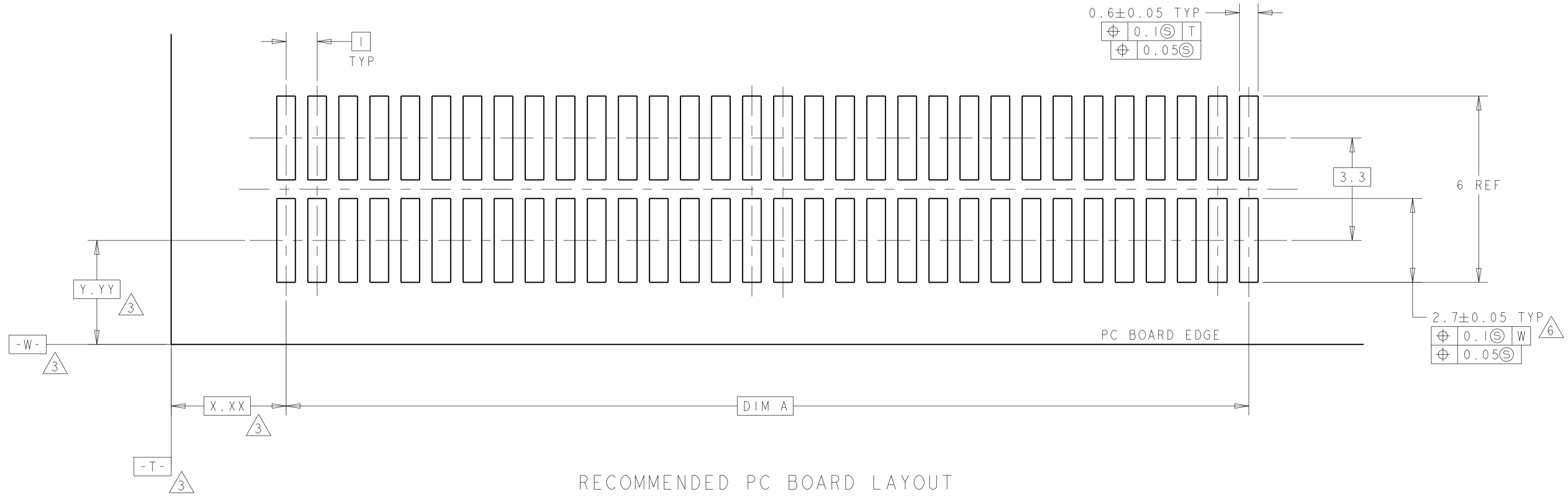
REVISIONS					
P.	LTN	DESCRIPTION	DATE	DWN	APVD
H		REVISED PER ECR-14-016951	11FEB2015	J.T	W.H



- 1 HOUSING MATERIAL: LIQUID CRYSTAL POLYMER COLOR: BLACK. CONTACT MATERIAL: PHOSPHOR BRONZE.
- 2 CONTACT FINISH: NICKEL UNDERPLATE ALL OVER, MATING SURFACES PLATED TO MEET PL1 PERFORMANCE REQUIREMENTS OF INDUSTRY SPECIFICATION EIA-700AAAB, SOLDER TAILS PLATED TIN-LEAD.
- 3 DATUM LOCATIONS AND BASIC DIMENSIONS TO BE ESTABLISHED BY THE CUSTOMER. CONSULT AMP ENGINEERING WHEN PLACING MULTIPLE CONNECTORS ON A PC BOARD.
- 4 PACKAGED IN TAPE ON REEL PER EIA-481.
- 5 VACUUM COVER DESIGNED FOR 4mm DIA. NOZZLE. VACUUM COVER TO BE REMOVED AFTER SOLDERING. VACUUM COVER REMOVED FROM SOME VIEWS FOR DIMENSIONAL CLARITY.
- 6 SHORTER SOLDER LANDS MAY BE USED PER EIA 700AAAB, HOWEVER 2.7 LENGTH ASSURES OPTIMUM SOLDER FILLET REGARDLESS OF MANUFACTURER OF CONNECTOR.
- 7 REFERRED TO AS DIM N IN EIA 700AAAB SPECIFICATION.
- 8 5.5 MIN DIAMETER TARGET AREA FOR VACUUM PICK-UP.
- 9 CONTACT FINISH: 0.002 MINIMUM BRIGHT TIN-LEAD (93-7) ON SOLDER AREA, 0.00127 MINIMUM GOLD ON MATING AREA, BOTH OVER 0.00127 MINIMUM NICKEL ON ENTIRE CONTACT.



VACUUM COVER



RECOMMENDED PC BOARD LAYOUT

FINISH	DIM C	DIM B	DIM A	MATING CONNECTOR	STACK HGTS	POS	PART NO
9	45.9	44.58	41	120531-2	14	84	1-120533-2
9	45.9	44.58	41	120529-2	11	84	1-120533-2
9	45.9	44.58	41	120528-2	9	84	1-120533-2
9	35.9	34.58	31	120531-1	14	64	1-120533-1
9	35.9	34.58	31	120529-1	11	64	1-120533-1
9	35.9	34.58	31	120528-1	9	64	1-120533-1
2	45.9	44.58	41	120531-2	14	84	120533-2
2	45.9	44.58	41	120529-2	11	84	120533-2
2	45.9	44.58	41	120528-2	9	84	120533-2
2	35.9	34.58	31	120531-1	14	64	120533-1
2	35.9	34.58	31	120529-1	11	64	120533-1
2	35.9	34.58	31	120528-1	9	64	120533-1

THIS DRAWING IS A CONTROLLED DOCUMENT. DWN J. REED 27/19/97
 CHK L. VO 27/19/97
 APVD -

TE Connectivity

PRODUCT SPEC: 502-1079
 APPLICATION SPEC: 114-25045
 WEIGHT: -

SIZE: A1
 SCALE: 17:1

PLUG ASSY, W/COVER
 1.0mm FH(IEEE) CONNECTOR

120533