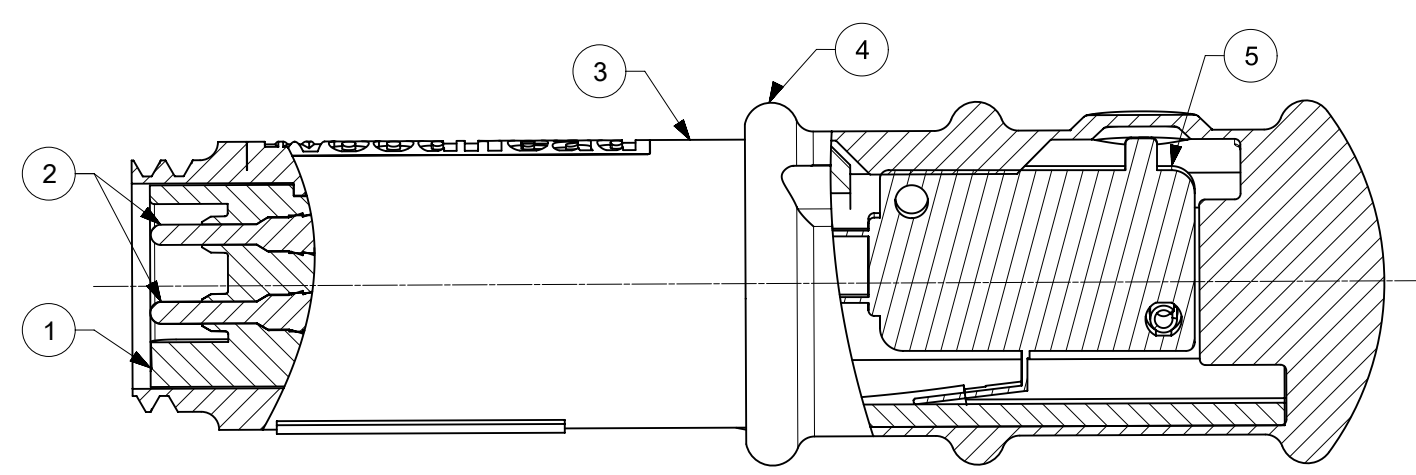
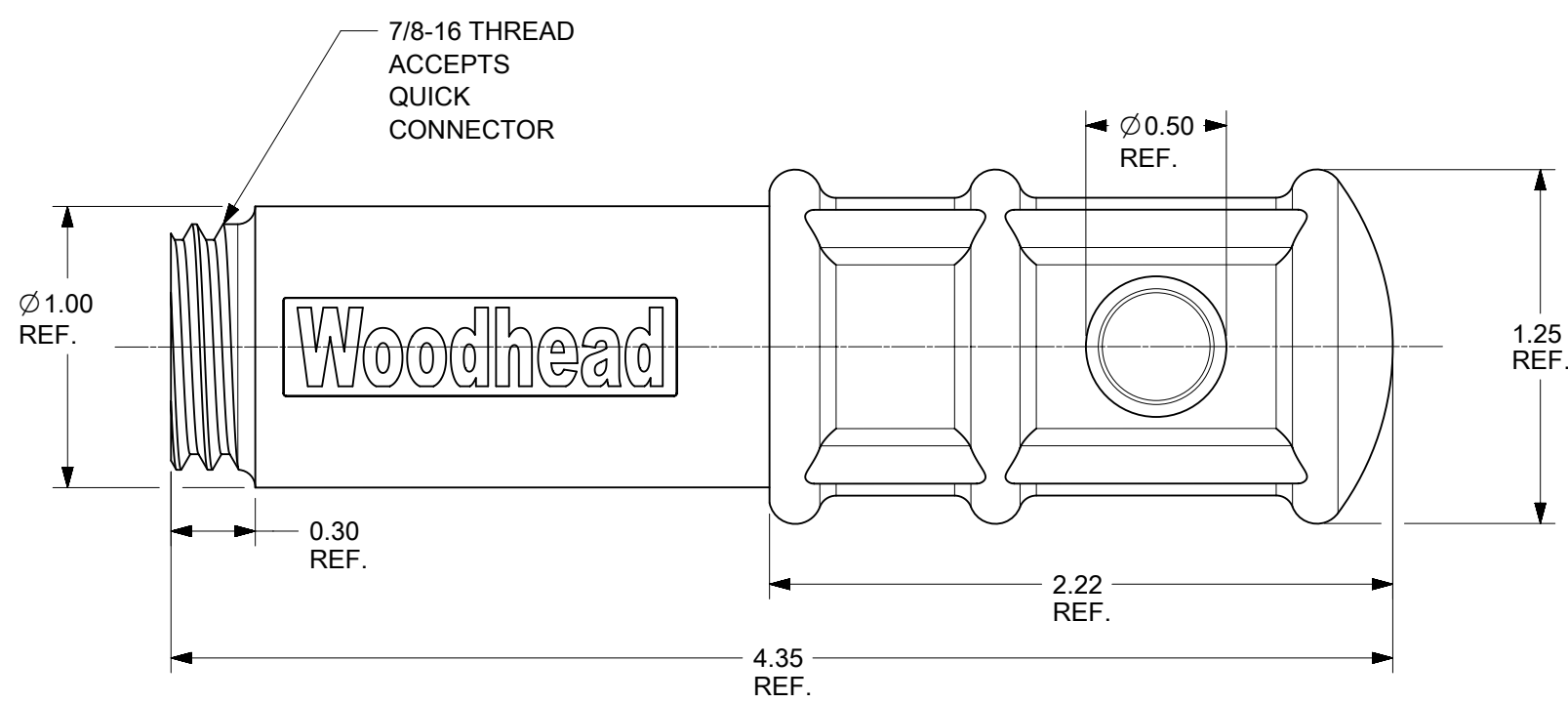
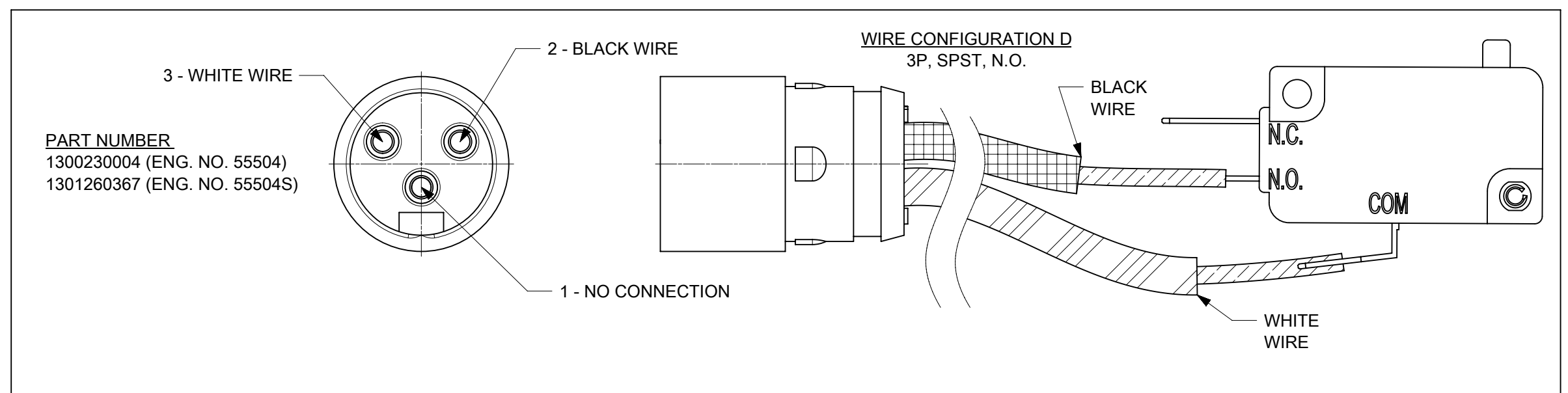
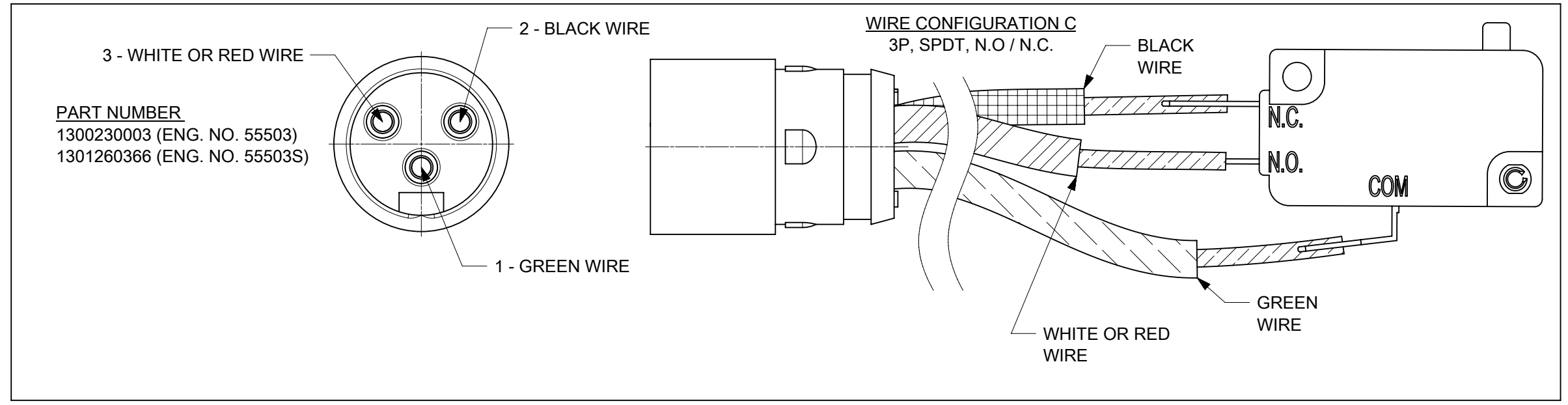
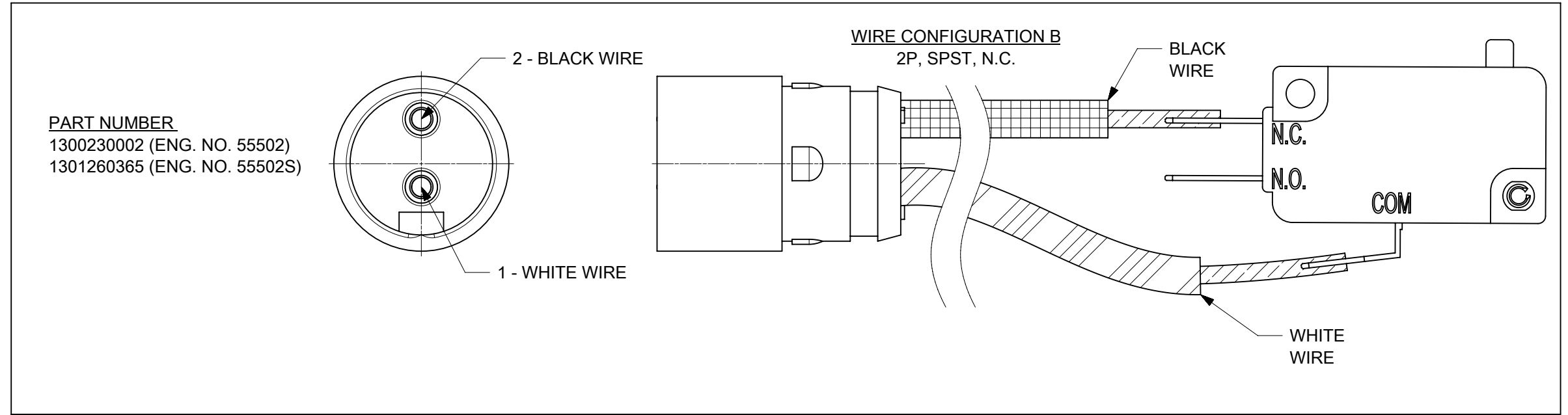
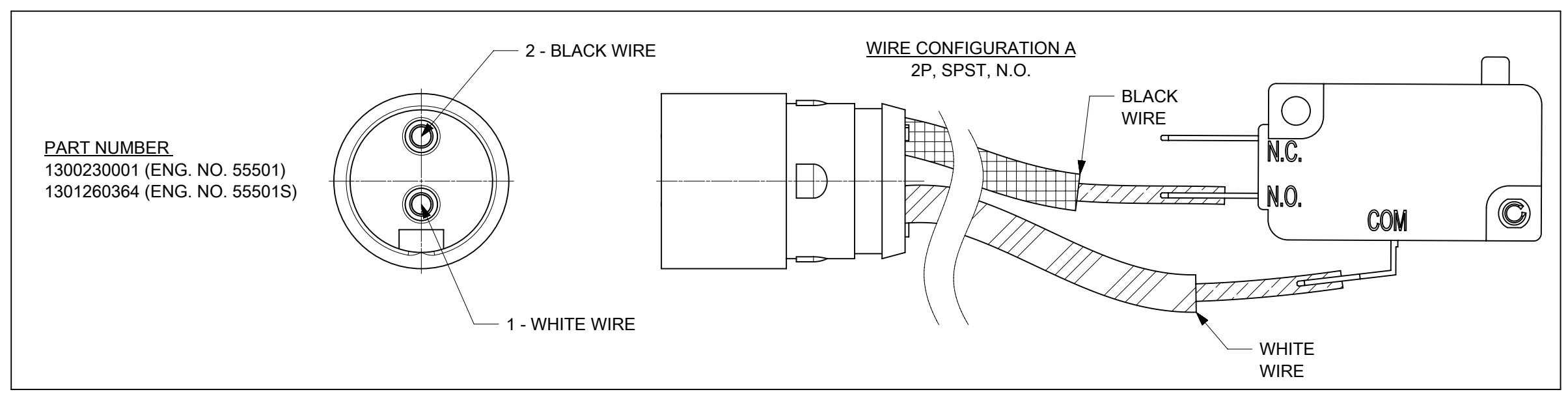


PART NUMBER	ENG. NUMBER	DESCRIPTION	SWITCH BOOT MATERIAL	WIRE CONFIGURATION
1300230001	55501	2P, SPST - NORMALLY OPEN	NBR/PVC	A
1300230002	55502	2P, SPST - NORMALLY CLOSED		B
1300230003	55503	3P, SPDT - NORMALLY OPEN / NORMALLY CLOSED		C
1300230004	55504	3P, SPST - NORMALLY OPEN		D
1301260364	55501S	2P, SPST - NORMALLY OPEN	SILICONE	A
1301260365	55502S	2P, SPST - NORMALLY CLOSED		B
1301260366	55503S	3P, SPDT - NORMALLY OPEN / NORMALLY CLOSED		C
1301260367	55504S	3P, SPST - NORMALLY OPEN		D



ITEM	DESCRIPTION	MATERIAL	FINISH
1	PIN INSERT	PVC	YELLOW
2	CONTACT PIN	COPPER ALLOY	GOLD PLATED
3	SWITCH BODY	NYLON	YELLOW
4	SWITCH BOOT	RUBBER (SEE TABLE)	YELLOW
5	SWITCH	-	-

NOTES:  
 1. MATERIAL: SEE TABLE  
 2. FINISHES: SEE TABLE  
 3. ELECTRICAL SPECIFICATIONS  
 VOLTAGE RATING: 125/250VAC  
 CURRENT RATING: 10 AMPS (AC)  
 HORSEPOWER RATING: 1/2 HP  
 4. OPERATING TEMP. RANGE: -20 °C to 85 °C  
 5. ASSEMBLY IS RoHS COMPLIANT



THIS DRAWING CONTAINS INFORMATION THAT IS PROPRIETARY TO MOLEX ELECTRONIC TECHNOLOGIES, LLC AND SHOULD NOT BE USED WITHOUT WRITTEN PERMISSION

DIMENSION UNITS	SCALE	CURRENT REV DESC: REDRAWN IN NX. UPDATE SILICONE PART NUMBERS.	<b>molex</b>		
INCH	2:1				
GENERAL TOLERANCES (UNLESS SPECIFIED)		EC NO: 618538	WOODHEAD ENABLING SWITCH		
ANGULAR TOL	± 0.5°	DRWN: WLEUNG 2019/06/19	PRODUCT CUSTOMER DRAWING		
4 PLACES	±	CHK'D: DNGUYEN62 2019/07/15	DOCUMENT NUMBER		
3 PLACES	±	APPR: JFMURPHY 2019/08/19	SD-130023-005		
2 PLACES	± 0.05	INITIAL REVISION:	DOC TYPE	DOC PART	REVISION
1 PLACE	± 0.1	DRWN: RSTONE 2013/01/22	PSD	001	B1
0 PLACES	±	APPR: JFMURPHY 2013/03/01	SHEET NUMBER		
DRAFT WHERE APPLICABLE MUST REMAIN WITHIN DIMENSIONS	THIRD ANGLE PROJECTION	DRAWING	MATERIAL NUMBER	CUSTOMER	
		C-SIZE	SEE CHART	GENERAL MARKET	1 OF 1
		SERIES	130023		