

PART NUMBER	REV	FIRST USED	TERMINATOR	FEED TYPE	DESCRIPTION
9-1385864-2	A	-	BENCH G	AIR FEED	CUTS CARRIER
9-1385864-3	B	-	BENCH K	AIR FEED	CUTS CARRIER
9-1385864-5	A	-	LEADMAKER	AIR FEED	CUTS CARRIER
9-1385864-6	A	-	LEADMAKER	AIR FEED	CONTINUOUS CARRIER
7-1385864-2	A	-	-	-	SPARE PARTS KIT
7-1385864-5	A	-	-	-	SPARE PARTS / CUT
7-1385864-6	A	-	-	-	SPARE PARTS / NO CUT

AMP TERM PN		H TERMINAL G & H CRIMP SPECS	
1572646-1	REF SETTING	* CRIMP HEIGHT	WIRE SIZE
GROTE & HARTMAN TERM PN	B5	.098 ±.002 [2.50 ±0.05mm]	2.50mm <sup>2</sup>
26934.306.009	D3	.089 ±.002 [2.25 ±0.05mm]	1.50mm <sup>2</sup>
CRIMP		SIZE	TYPE
WIRE		.125 [3.18mm]	F
INSUL		.170 [4.32mm]	F
RANGE		1.50-2.50mm <sup>2</sup>	
WIRE STRIP LENGTH	TERM APPL SPEC	FEED	APPL INSTRUCTION
.219-.250	-	1.300	408-8040 & 408-8490
SET UP GAGE		LAYOUT	
458637-1		L3066	

- 1 RECOMMENDED SPARE PARTS.
- 2 GREASE LIGHTLY.
- 3. GUARD MUST BE IN PLACE WHEN OPERATING APPLICATOR IN A BENCH MACHINE.
- 4 SEE DRAWING FOR COMPONENTS.
- \* WARNING: ON INSTALLATION, SET WIRE DISC TO LARGEST WIRE SIZE SETTING. USE OF SETTINGS BELOW MIN REQUIRED CRIMP HEIGHT SETTING WILL CAUSE DAMAGE TO CRIMP TOOLING.

QTY REQD PER ASSY	PARTS LIST	DESCRIPTION	ITEM NO		
			129		
			128		
			127		
			126		
			125		
-	-	1 1 1 1	A 217238-1 GENERAL INSTRUCTION PACKAGE 124		
-	-	1 1 1 1	- 4088040 APPL INST 408-8040 123		
-	-	1 1 1 1	- 4088490 APPL INST 408-8490 122		
-	-	1 1 1 1	- A 4-21028-0 PIN,SLT SPR(φ.093x.75)ST GDE PL 121		
			120		
			119		
			118		
-	-	1 1 1 1	- A 21024-5 WASHER, LOCK (#10)ADJ BLOCK 117		
			116		
			115		
-	-	2 2 2 2	- A 21024-2 WASHER,LOCK (#4)FRONT STP GUIDE 114		
			113		
			112		
-	-	4 4 4 4	- A 21024-4 WASHER,LOCK (#8)STRIPPER 111		
			110		
			109		
-	-	1 1 1 1	- A 21018-5 NUT, HEX (NO.6)HOLDDOWN 108		
			107		
			106		
-	-	1 1 1 1	- A 21989-8 SCR, SHLDR(φ.188x.25) DRAG 105		
-	-	- 1 1 1	- A 992031-1 PIN, CLEVIS 104		
-	-	1 1 1 1	- A 21009-2 SCR,SKT SET(1/4-20x.25 LW)RAM 103		
-	-	2 2 2 2	- A 21017-2 SCR,DRIVE (#2x.19) ID PLATE 102		
			101		
-	-	1 1 1 1	- B 461264-8 PLATE, IDENTIFICATION 100		
-	-	2 2 2 2	- A 3-21002-0 SCR,BHC (10-32x.88)DRAG 99		
-	-	1 1 1 1	- A 22733-8 SCR,BHC (8-32x.38 LW)ANVIL 98		
-	-	4 4 4 4	- A 2-21002-9 SCR,BHC (10-32x.75)CAP 97		
-	-	3 3 3 3	- A 2-22733-8 SCR,BHC (1/4-20x.62)H5G 96		
-	-	1 1 1 1	- A 2-21002-7 SCR,BHC (10-32x.50)56 ADJ BLK 95		
-	-	4 4 4 4	- A 2-21002-2 SCR,BHC (8-32x.50)TERM H DWN 94		
			93		
-	-	2 2 2 2	- A 2-21002-4 SCR,BHC (8-32x.75)REAR ST GUIDE 92		
-	-	1 1 1 1	- A 1-21002-7 SCR,BHC (6-32x.38)CAM 91		
			90		
-	-	- 1 1	- A 7-21000-9 SCR,SHC (4-40x.19)STRIPPER 89		
			88		
-	-	2 2 2 2	- A 3-21000-0 SCR,SKT CAP (8-32x.88) DEP HLD 87		
-	-	1 1 1 1	- A 2-22603-1 SCR,HEX HD (8-32x.38)FEED FINGER 86		
-	-	2 2 2 2	- A 1-21000-3 SCR,SHC (4-40x.25)FR ST GUIDE 85		
-	-	3 3 3 3	- A 2-21000-7 SCR,SHC (8-32x.50)STRIPPER 84		
			83		
			82		
-	-	1 1 1 1	- A 3-21000-4 SCR,SHC (10-32x.38)56 ADJ BL 81		
			80		
			79		
-	-	- - REF REF	- B 679532-1 INSERT, GUARD 78		
			77		
			76		
			75		
			74		
			73		
-	-	1 1 1 1	- A 3-21001-4 SCR,SHC (3/8x.88)FEED MT 72		
-	-	1 1 1 1	- B 459610-1 MOUNT, FEED BRACKET 71		
-76 -75 -72 -96 -95 -93 -92	U/M	DWG SIZE	PART NO	DESCRIPTION	ITEM NO
QTY REQD PER ASSY					PARTS LIST

-	-	-	1 1 1 1	- A 21024-8 WASHER,LOCK (3/8)FEED BRKT 70	
-	-	-	- 1 -	- C 692655-5 AIR FEED VALVE ASSY 69	
-	-	-	1 1 1 1	- A 461690-2 SPACER, AIR FEED 68	
-	-	-	- - REF -	- A 24042-2 VALVE, SHUT OFF 67	
-	-	-	- - REF -	- C 692655-6 AIR FEED VALVE ASSY 66	
-	-	-	1 1 1 1	- B 461065-2 AIR FEED ASSY (2 INCH) 65	
-	-	-	2 2 2 2	- A 4-21000-3 SCR,SHC (10-32x2.00)AIR ASSY 64	
-	-	-	1 1 1 1	- A 980285-2 ELBOW, SWIVEL 1/8 NPT - 1/4 T 63	
-	-	-	1 1 1 1	- A 23238-1 QUICK DISCONNECT 62	
-	-	-	21.00 21.00 - 21.00	IN A 27319-4 TUBING, POLY-FLO φ.25 61	
					60
-	-	-	1 1 1 1	- C 454220-1 CAP, RAM 59	
			1 1 1 1	- D 454485-1 HOUSING 58	
					57
-	-	-	1 1 1 1	- B 458537-2 PAWL, FEED 56	
-	-	-	1 1 1 1	- A 22374-7 VALVE, QUICK EXHAUST 55	
-	-	-	1 1 1 1	- A 22304-1 NIPPLE, HEX 54	
-	-	-	1 1 1 1	- B 461062-1 FEED FINGER ASSY 53	
					52
-	-	-	1 1 1 1	- A 811242-2 BUMPER, HOLDDOWN 51	
-	-	-	1 1 1 1	- A 690753-1 SPACER, TONKER 50	
					49
					48
					47
					46
-	-	-	1 1 1 1	- A 690191-1 PLUG, NYLON 45	
-	-	-	1 1 1 1	- C 819307-4 RAM 44	
					43
					42
-	-	-	1 1 1 1	- A 7-21002-9 BOLT, CRIMPER (5/16x1.00) 41	
					40
-	-	-	1 1 1 1	- - 690125-1 SHIM SUBASSY 39	
-	-	-	1 1 1 1	- - 1-469367-1 SPACER, FINE ADJUST 38	
-	-	-	1 1 1 1	- - 879103-3 FINE ADJUST HEAD SUBASSY 37	
					36
					35
-	-	-	1 1 1 1	- B 3-690786-9 SUPPORT, TERMINAL 34	
			1 1 1 1	- D 455675-1 PLATE, BASE 33	
-	-	-	1 1 1 1	- A 8-21000-7 SCREW, ADJUSTMENT (10-32x.88) 32	
-	-	-	1 1 1 1	- A 1-22281-8 SPRING, COMPRESSION 31	
-	-	-	1 1 1 1	- B 455689-1 BLOCK, STRIP GUIDE ADJ 30	
-	-	-	1 1 1 1	- C 1633087-5 PLATE, STRIP GUIDE 29	
-	-	-	1 1 1 1	- C 1-455888-0 SPACER, FRONT SHEAR DEP 28	
-	-	-	2 2 2 2	- A 1-22284-0 SPRING, DRAG 27	
-	-	-	1 1 1 1	- B 356835-1 LEVER, DRAG RELEASE 26	
-	-	-	1 1 1 1	- B 240792-1 DRAG, TERMINAL 25	
-	-	-	1 1 1 1	- D 1213870-1 GUIDE, STRIP (REAR) 24	
-	-	-	1 1 1 1	- A 690438-4 GUIDE, STRIP (FRONT) 23	
-	-	-	1 1 - -	- B 690472-2 STRIPPER 22	
					21
-	-	-	- 1 1	- A 679218-1 STRIPPER WIRE STOP ASSY 20	
-	-	-	- 1 1	- B 458949-1 STRIPPER 19	
-	-	-	1 1 1 1	- C 1320908-2 SPACER, STRIP GUIDE 18	
1	-	-	1 - - -	- C 679625-1 HOLDER, SHEAR (FRONT) 17	
-	-	-	- 1 1	- B 318563-1 GUARD, CHIP, FRONT 16	
					15
					14
					13
-	-	-	1 1 1 1	- A 5-22280-0 SPRING, SHEAR 12	
-	-	-	1 1 1 1	- B 690461-1 STOP, SHEAR 11	
-	-	-	1 1 1 1	- C 690459-1 HOLDER, SHEAR (FRONT) 10	
1	1	1	1 1 1 1	- C 1-454276-9 SHEAR, FLOAT (FRONT) 9	
1	1	1	1 1 1 1	- C 2-1424534-8 ANVIL 8	
-	-	-	1 1 1 1	- C 5-240641-5 SPACER, DEPRESSOR (REAR) 7	
					6
-	-	-	1 1 1 1	- C 1-455889-4 DEPRESSOR, SHEAR (FRONT) 5	
-	-	-	1 1 1 1	- B 238011-2 SPACER, BLOCK CRIMPER 4	
1	1	1	1 1 1 1	- C 3-1213077-3 CRIMPER, INSULATION 3	
-	-	-	1 1 1 1	- C 1-455888-8 SPACER, CRIMPER 2	
1	1	1	1 1 1 1	- C 7-1490019-8 CRIMPER, WIRE 1	
-76 -75 -72 -96 -95 -93 -92	U/M	DWG SIZE	PART NO	DESCRIPTION	ITEM NO
QTY REQD PER ASSY					PARTS LIST

THIS DRAWING IS A CONTROLLED DOCUMENT.

THIS DRAWING IS UNRELEASED. RELEASE FOR PUBLICATION ALL RIGHTS RESERVED. COPYRIGHT 20

LOC A DIST 66

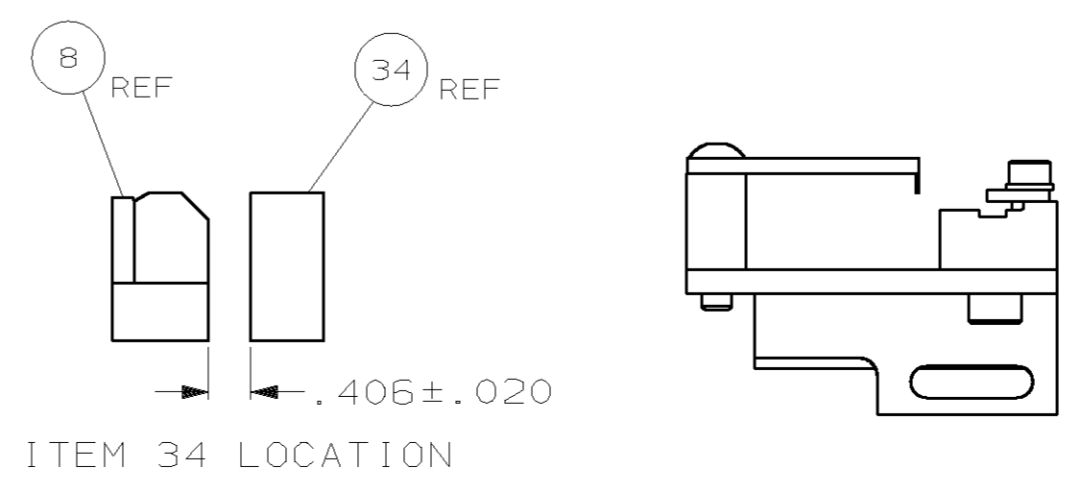
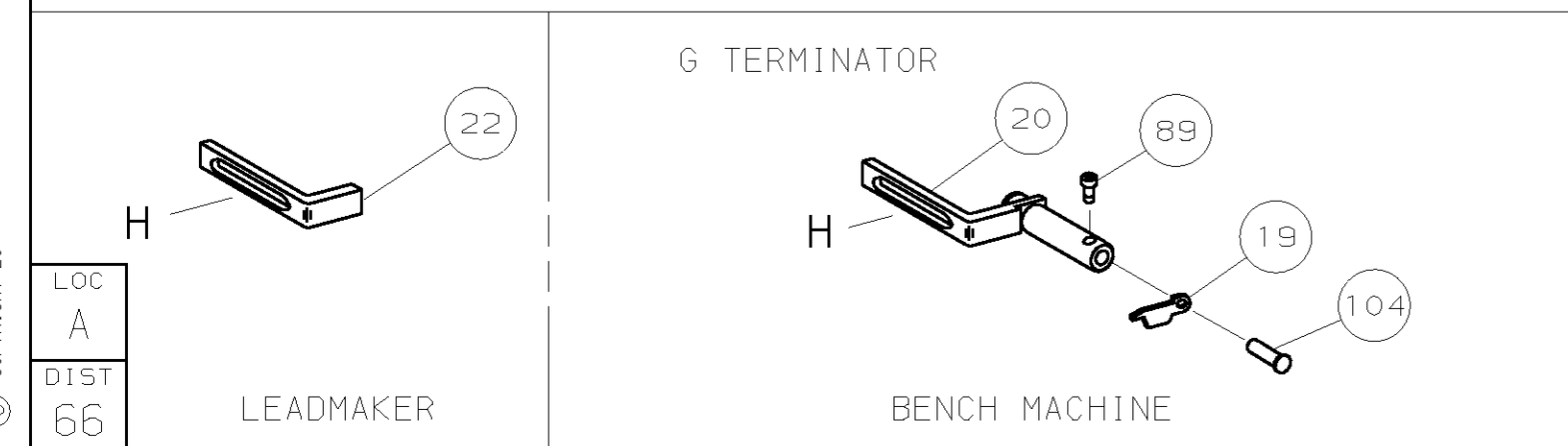
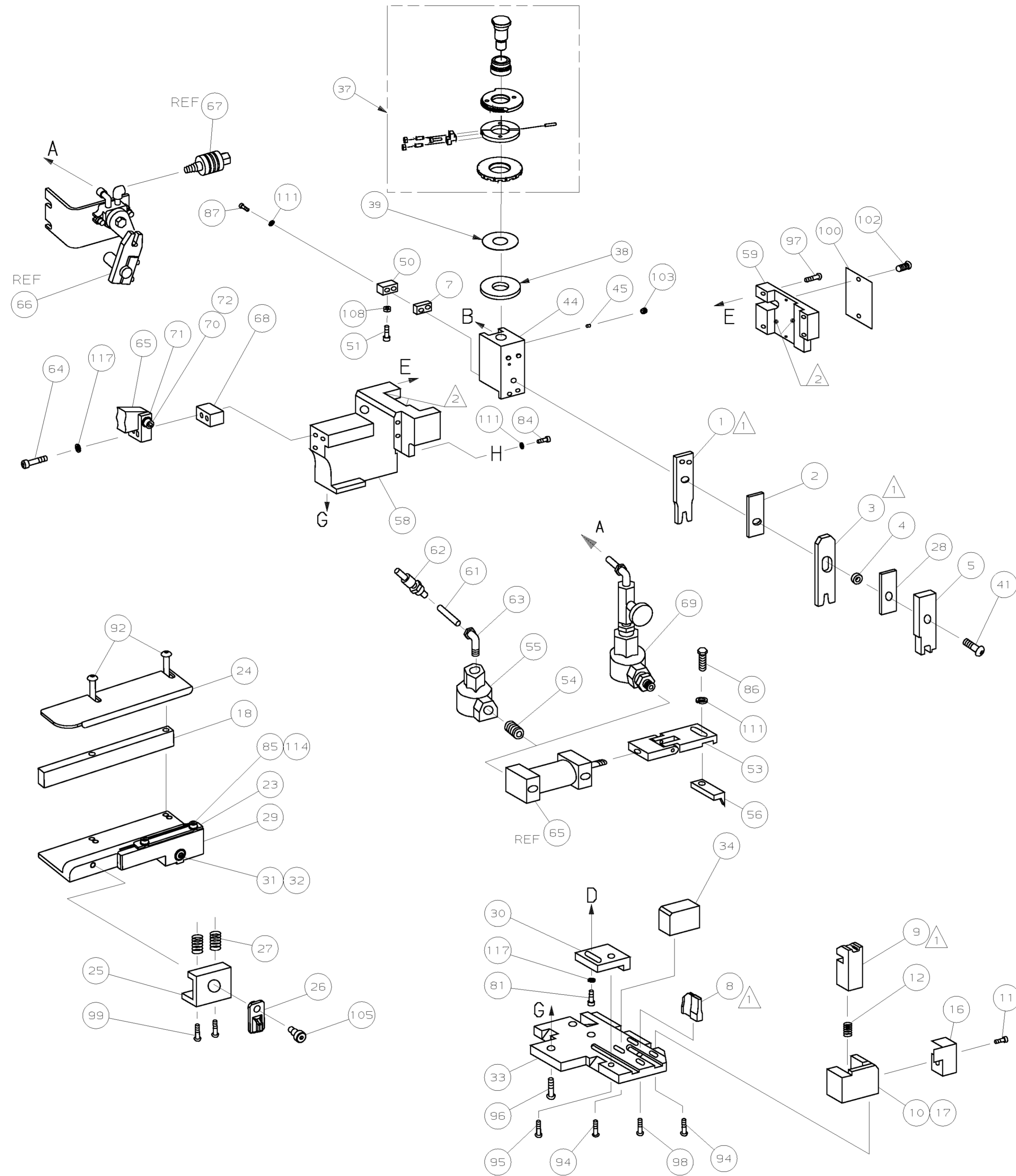
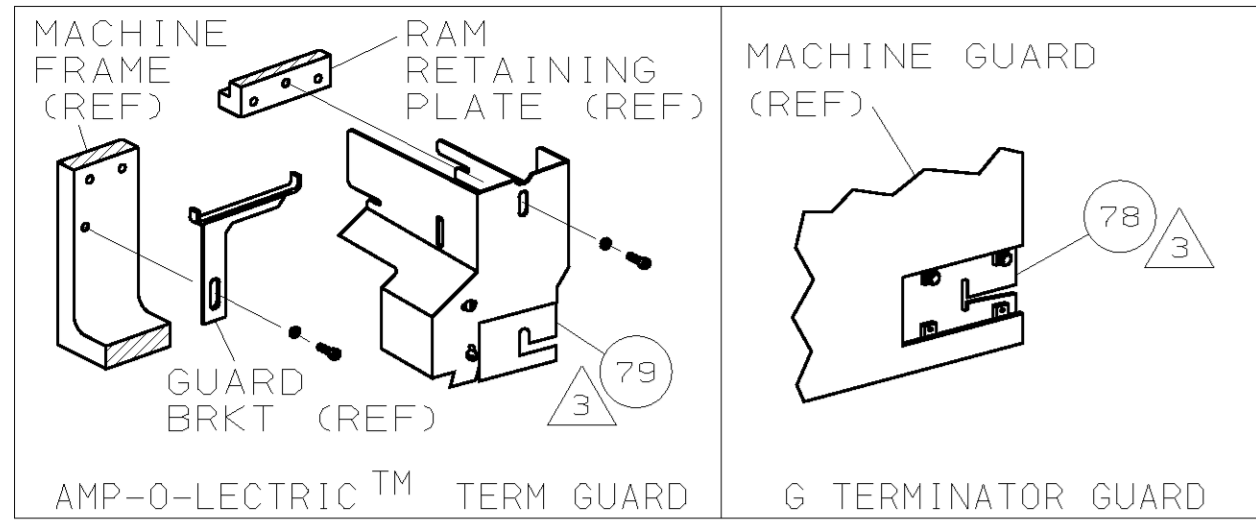
DIMENSIONS IN INCHES. DO NOT SCALE PRINT. TOLERANCES UNLESS OTHERWISE SPECIFIED:  
 2 PLC DEC ±  
 3 PLC DEC ±  
 4 PLC DEC ±  
 ANGLES ± -  
 SURF TEXTURE: ✓  
 REMOVE BURRS, BREAK SHARP EDGES R.015 MAX

MATL - HT TR - FIN -  
 DR 08DEC04 APP 09DEC04 T.ELBIN  
 R.O.WILSON  
 CHK 08DEC04 REL -  
 R.O.WILSON  
 AMP Tyco Electronics Harrisburg, PA 17105-3608

NAME SIDE FEED HDM APPLICATOR MACHINE REF MINI-APPL  
 SCALE - DWG NO 1385864 SHEET 1 OF 2 REV B

REVISION RECORD  
 B ECN 0150-0192-05 TE 3-05  
 A RELEASED TE JAN05  
 P/F LTR REVISION RECORD APP DATE

CASE CODE 00779 CUSTOMER AND ASSEMBLY DRAWING RESTRICTED TO



SEE SHEET 1

P	F	LTR	REVISION RECORD	APP	DATE
---	---	-----	-----------------	-----	------

DWG SIZE	PART NO	DESCRIPTION	ITEM NO
REVISION OF EACH ASSY NO (WHEN BLANK, USE DWG REVISION)			
QTY RECD PER ASSY		PARTS LIST	
MATL	HT TR	FIN	
DIMENSIONS IN INCHES. DO NOT SCALE PRINT. TOLERANCES UNLESS OTHERWISE SPECIFIED:			
DR	08DEC04	APP	09DEC04
R.O.WILSON	T.ELBIN		
2	PLC DEC ±		
3	PLC DEC ±		
4	PLC DEC ±		
ANGLES ± -			
SURF TEXTURE: ✓			
REMOVE BURRS, BREAK SHARP EDGES R.015 MAX			
SCALE	DWG NO	1385864	SHEET 2 OF 2
CASE CODE 00779	CUSTOMER AND ASSEMBLY DRAWING		RESTRICTED TO

THIS DRAWING IS A CONTROLLED DOCUMENT.

20

RELEASED FOR PUBLICATION  
ALL RIGHTS RESERVED.

THIS DRAWING IS UNRELEASED.  
COPYRIGHT 20

1385864

D

C

B

A