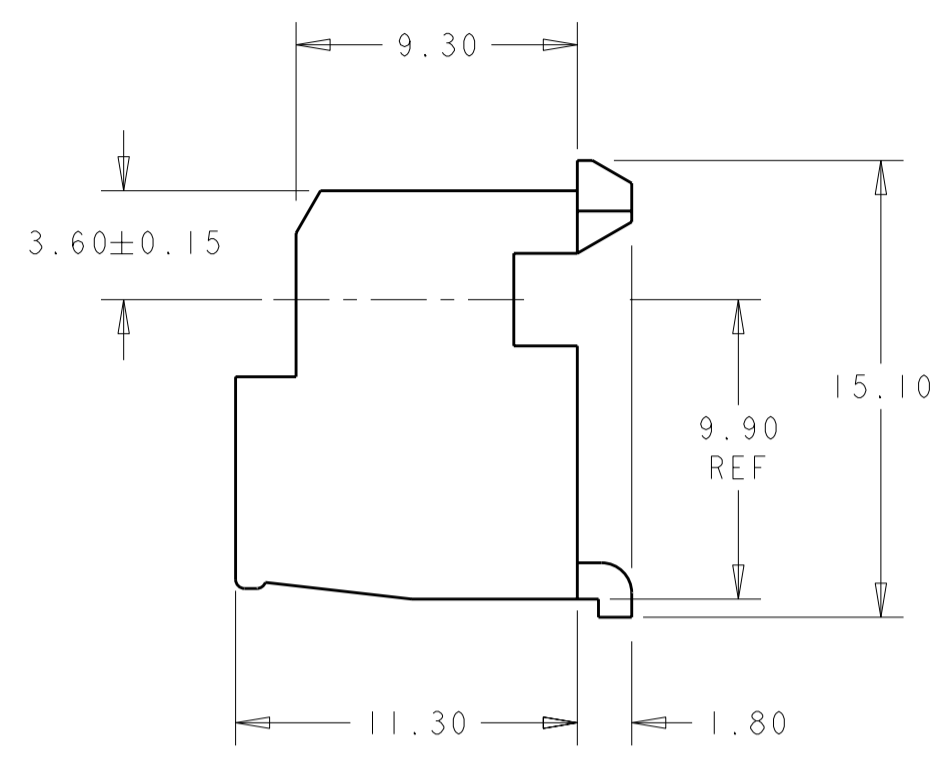
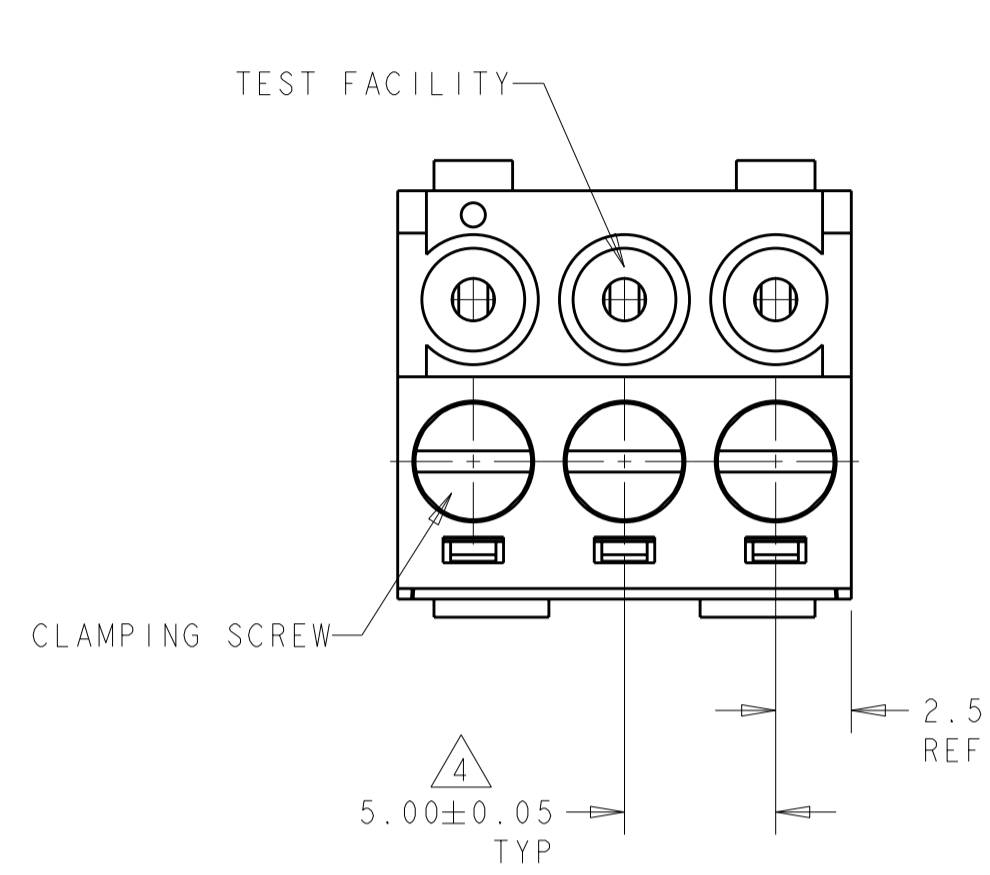
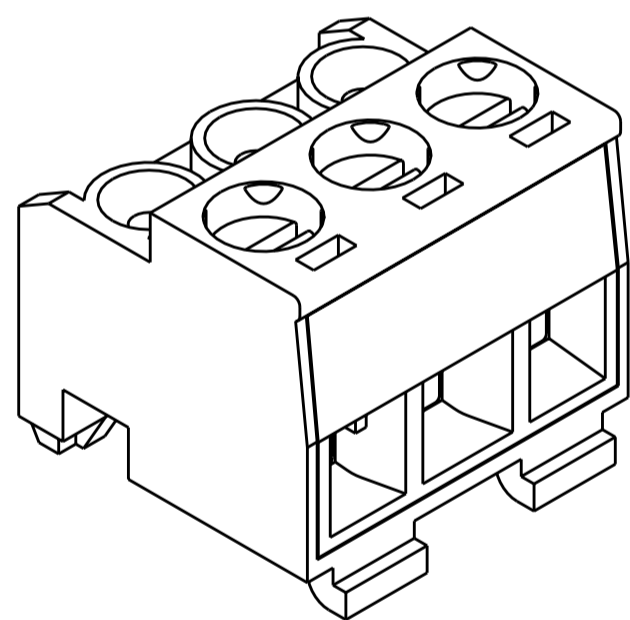
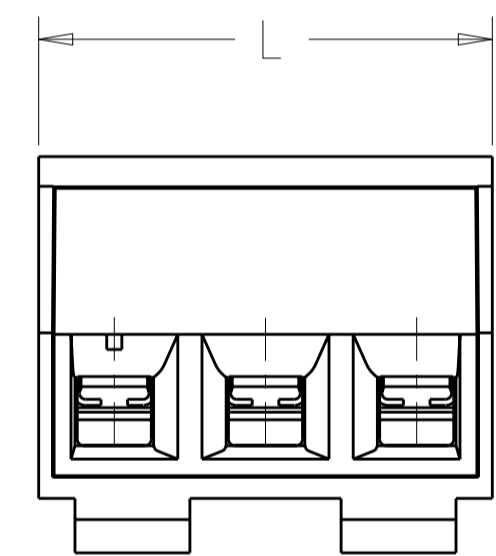


THIS DRAWING IS UNPUBLISHED. RELEASED FOR PUBLICATION 20  
 © COPYRIGHT 20 BY TYCO ELECTRONICS CORPORATION. ALL RIGHTS RESERVED.

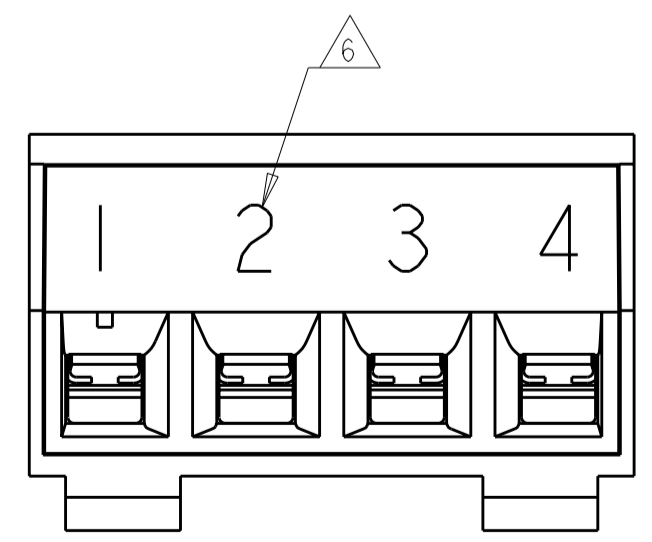
LOC		DIST		REVISIONS			
P	LTR	DESCRIPTION	DATE	DWN	APVD		
	D	REVISED ECO-05-007228	30AUG2005	SW	CR		
	DI	ADDED 1--5, ECO-05-010011	09NOV2005	SW	CR		
	E	REVISED ECO-06-022418	26SEP2006	SW	CR		
	F	REVISED PER ECO-08-003247	06FEB2008	SS	CR		



- 1 MATERIAL AND FINISH  
 HOUSING: PA 6.6, UL 94 V-0 RATED, COLOR: GREEN.  
 CLAMP: BRASS, NICKEL PLATED.  
 TERMINAL: BRASS, TIN PLATED.  
 CONTACT SPRING: PHOSPHOR BRONZE, TIN PLATED.  
 CLAMPING SCREW: BRASS, NICKEL PLATED.
- 2. END-TO-END STACKABLE WITHOUT LOSS OF CENTERLINE SPACING.
- 3. WIRE RANGE: 14-30 AWG.
- 4 NOT CUMULATIVE TOLERANCE.
- 5. BUCHANAN LOGO TO APPEAR ON HOUSING, LOCATION OPTIONAL WHERE SPACE PERMITS.
- 6 MARKED WITH PERMANENT WHITE INK IN APPROX AREA SHOWN.



1546173-3 AS SHOWN



DETAIL Z

PRELIMINARY	SEE DETAIL Z	4	5	12	11	10	9	8	7	6	5	4	3	2	QTY	SELECTIVELY LOADED IN POSITIONS	L	NO OF POSN	PART NUMBER
	-	4	5	12	11	10	9	8	7	6	5	4	3	2					1-1546173-5
	-															1, 3, 5, 7, 8		8	1-1546173-4
	-															ALL		12	1-1546173-2
	-															ALL		11	1-1546173-1
	-															ALL		10	1-1546173-0
	-															ALL		9	1546173-9
	-															ALL		8	1546173-8
	-															ALL		7	1546173-7
	-															ALL		6	1546173-6
	-															ALL		5	1546173-5
	-															ALL		4	1546173-4
	-															ALL		3	1546173-3
	-															ALL		2	1546173-2

<small>THIS DRAWING IS A CONTROLLED DOCUMENT FOR TYCO ELECTRONICS CORPORATION IT IS SUBJECT TO CHANGE AND THE CONTROLLING ENGINEERING ORGANIZATION SHOULD BE CONTACTED FOR THE LATEST REVISION.</small>		DWN S.WELDON 18APR2002 CHK D.BIEVENOUR 18APR2002 APVD D.BIEVENOUR 18APR2002	Tyco Electronics Harrisburg, PA 17105-3608
DIMENSIONS: mm	TOLERANCES UNLESS OTHERWISE SPECIFIED: 0 PLC ± 1 PLC ±0.3 2 PLC ±0.25 3 PLC ±0.000 4 PLC ±0.000 ANGLES ± FINISH	PRODUCT SPEC APPLICATION SPEC WEIGHT	NAME SIZE CAGE CODE DRAWING NO A200779C-1546173
MATERIAL		CUSTOMER DRAWING	RESTRICTED TO SCALE 4:1 SHEET OF REV F