

DIESES ZEICHNUNGSDOKUMENT WIRD DURCH TE INCORPORATED KONTROLLIERT. AENDERUNGEN, DIE DEM TECHNISCHEN FORTSCHRITT DIENEN, SIND VORBEHALTEN. DEN JEWELNS LETZTUELTIGEN AENDERUNGSSTAND ERFAHREN SIE AUF ANFRAGE.

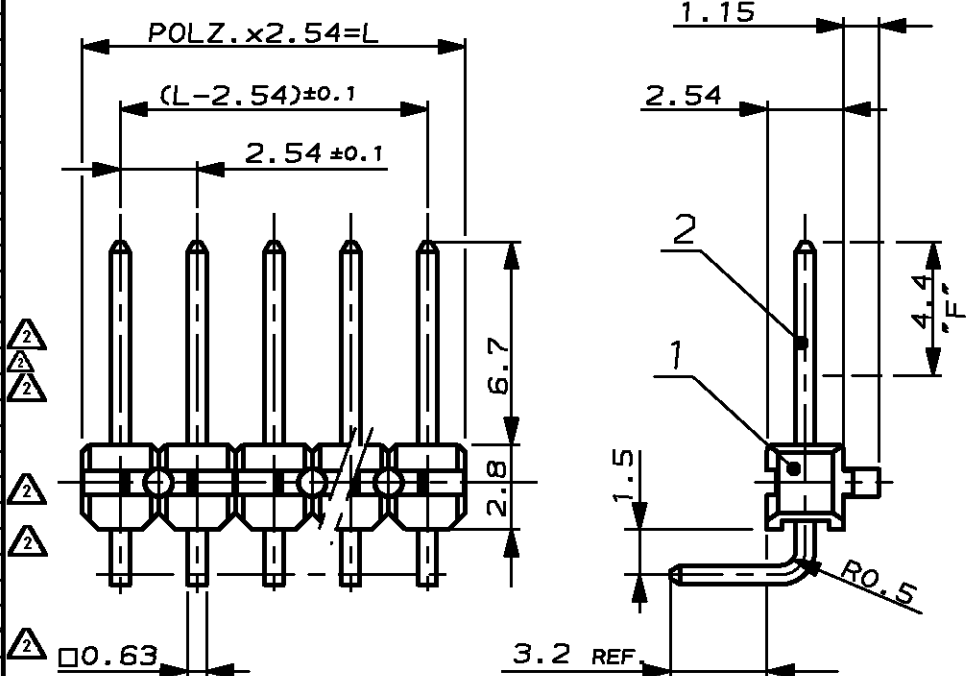
THIS DRAWING IS A CONTROLLED DOCUMENT FOR TE INCORPORATED. IT IS SUBJECT TO CHANGE AND THE CONTROLLING ENGINEERING ORGANIZATION SHOULD BE CONTACTED FOR THE LATEST REVISION.

RELEASED FOR PUBLICATION
 FREI FUER VEROEFFENTLICHUNG
 KW 39/96
 ALL RIGHTS RESERVED.
 ALLE RECHTE VORBEHALTEN.
 BY TE INCORPORATED.
 COPYRIGHT 1975
 THIS DRAWING IS UNPUBLISHED.
 VERTRAULICHE UNVEROEFFENTLICHTETE ZEICHNUNG.

MATED WITH: PASSEND ZU:	LOC AI	DIST -
PROJEKT NR.: E 75-9231		

P	LTR	REVISIONS AENDERUNGEN DESCRIPTION BESCHREIBUNG	DATE	DWN	APVD
V		Contact pin base material change from CuSn (Phosphor bronze) to CuZn (Brass). Plating change from min. 0.8microns gold plating to min. 0.7 microns Pd Ni + 0.1 microns gold flash at contact area (Area F).	24JUN 2014	TJ	JK

POLZ.	L±0.5	BESTELL-NR.
-	-	-
2	5.08	825 437 -2
3	7.62	-3
4	10.16	-4
5	12.70	-5
6	15.24	-6
7	17.78	-7
8	20.32	-8
9	22.86	-9
10	25.40	1- -0
11	27.94	1- -1
12	30.48	1- -2
13	33.02	1- -3
14	35.56	1- -4
15	38.10	1- -5
16	40.64	1- -6
17	43.18	1- -7
18	45.72	1- -8
19	48.26	1- -9
20	50.80	2- -0
21	53.34	2- +1
22	55.88	2- +2
23	58.42	2- +3
24	60.96	2- -4
25	63.50	2- -5
26	66.04	2- -6
27	68.58	2- -7
28	71.12	2- -8
29	73.66	2- -9
30	76.20	3- -0
31	78.74	3- -1
32	81.28	3- +2
33	83.82	3- +3
34	86.36	3- +4
35	88.90	3- -5
36	91.44	3- -6
37	93.98	3- -7
38	96.52	3- -8
39	99.06	3- -9
40	101.60	4- -0
41	104.14	4- +1
42	106.68	4- +2
43	109.22	4- +3
44	111.76	4- +4
45	114.30	4- -5
46	116.84	4- -6
47	119.38	4- -7
48	121.92	4- -8
49	124.46	4- -9
50	127.00	5- 825 437 -0



1 MATING SIDE: MIN 0.7µm PdNi + 0.1µm GOLD FLASH.
 SOLDER SIDE: MIN 2.5µm TIN OVER 1.27µm NICKEL.

2 OBSOLETE PARTS: OBSOLETE CIS STREAMLINING PER D.RENAUD/D.SINISI

3 OBSOLETE

CUSTOMER PART NO	TE PART NO	REV.	PCS.	MATERIAL	SURFACE COLOR	DESCRIPTION	ITEM NO
-	-	-	-	Cu Zn	GREEN GRÜN	CONTACT PIN KONTAKTSTIFT	2
-	-	-	-	PBT GV	GREEN GRÜN	PIN HOUSING STIFTGEHÄUSE	1

DIMENSIONS: DIMENSIONEN: mm	DWN DAHLHEIMER 05.12.75	MATERIAL -	FINISH OBERFLÄCHE/FARBE -
TOLERANCES UNLESS OTHERWISE SPECIFIED: ALLGEMEINTOLERANZEN	CHK BÖCK 17.12.75	TE Connectivity	
P.P. 150 8015 P.P. 150 2768 - mH -E P.P. DIN 16901 - 140	APVD -	NAME AMPMODU II PIN HEADER, 90DEGREE, SINGLE ROW	
P.P. ±0.2 P.P. ±0.2 P.P. ±0.2 P.P. ±	PRODUCT SPEC PRODUKTSPEZ. 108-18012	SIZE A4	RESTRICTED TO NUR FUER -
ANGLES/WINKEL ±1°	APPLICATION SPEC VERARBEITUNGSSPEZ. -	CAGE CODE 00779	REV V
	WEIGHT GEWICHT -	DRAWING NO ZEICHNUNGS-NR. 825437	REVISIONS AENDERUNGEN BESCHREIBUNG
CUSTOMER DRAWING /KUNDENZEICHNUNG		MASSSTAB 4:1	BLATT 1 OF VON 1