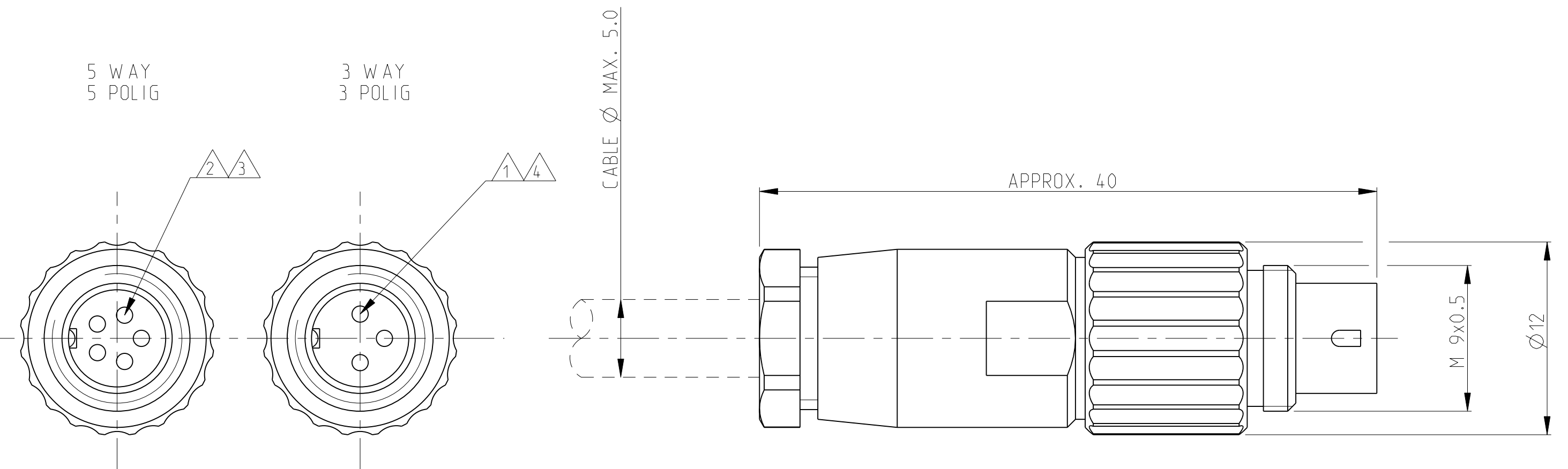
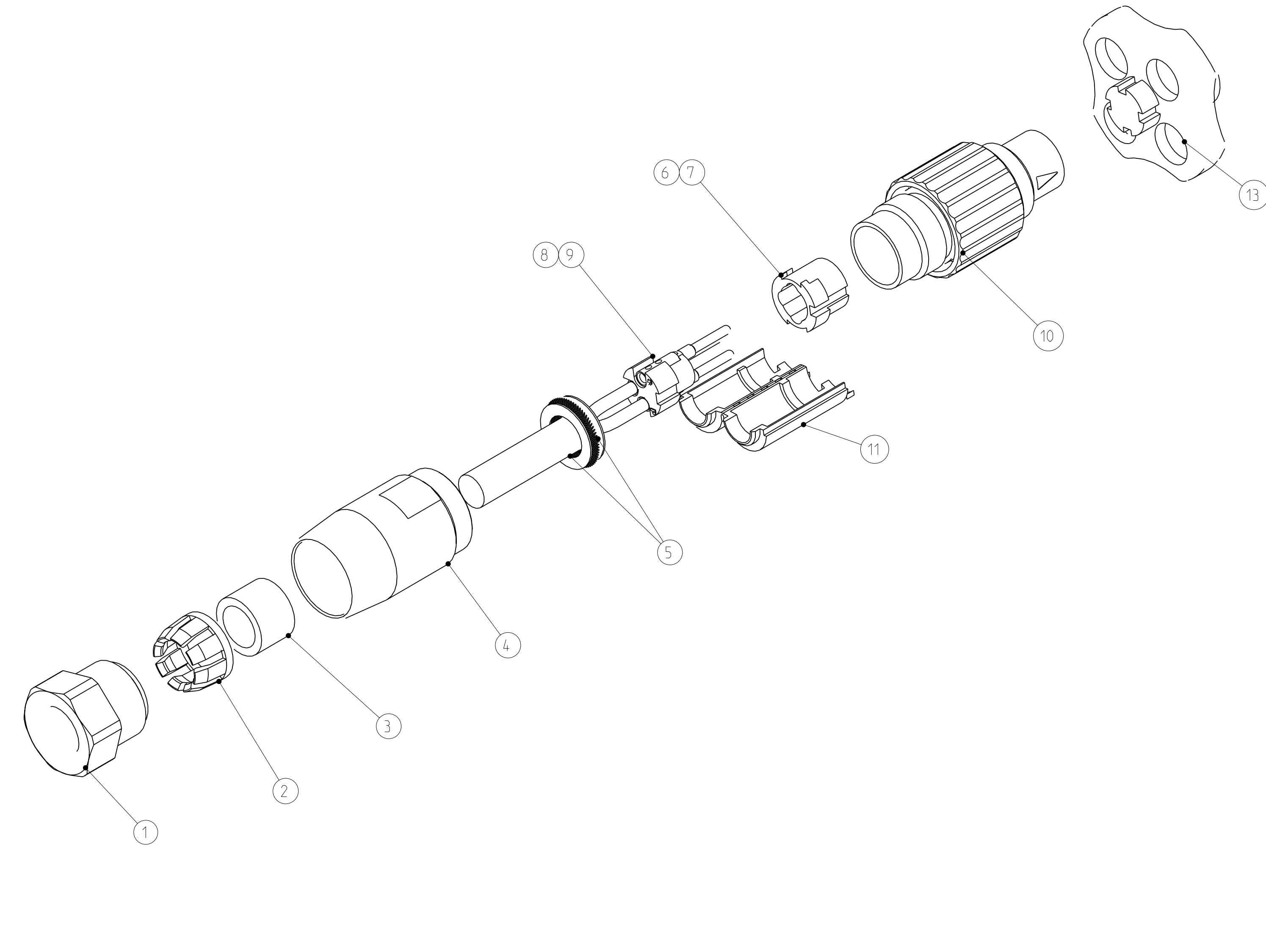


LOC	DIST	REV	DATE	BY	APPV
A1	-	A4	13OCT2011	KH	MS

MATERIAL / MATERIAL: PBT, UL-94 V2 SHELL MATERIAL / GEHAEUSEMATERIAL: BRASS/MESSING FINISH / BESCHICHTUNG: TRIBOR 4 µm	5
WIRE GAGE / DRAHTGROESSE IN mm <sup>2</sup> : 0.5	4
WIRE GAGE / DRAHTGROESSE IN mm <sup>2</sup> : 0.14 OR 0.25 OR 0.34	3
CRIMP CONTACT / CRIMP KONTAKT: SEE PN 5-1437720-5	2
CRIMP CONTACT / CRIMP KONTAKT: SEE PN 5-1437720-4	1
SHELL PROTECTION CLASS / SCHUTZKLASSE: IP 65 / DIN 40050	
TEST VOLTAGE / PRUEFSPANNUNG: 500 VAC	
OPERATING VOLTAGE / BETRIEBSSPANNUNG: 60 VAC	
OPERATING TEMPERATURE: -40°C TO +80°C / ARBEITSTEMPERATUR: -40°C BIS +80°C	
MATING CYCLES / STECKZYKLEN: 500 MAX.	
TECHNICAL DATA TECHNISCHE DATEN	



TE CONNECTIVITY-NO./ TE CONNECTIVITY-NR.			
1-1437719-2	1-1437719-1		
1	1	MOUNTING WRENCH / MONTAGESCHLUESSEL	13
1	1	MOUNTING INSTRUCTION / MONTAGEANLEITUNG	12
1	1	INSULATION TUBE / ISOLIERHUELSE	11
1	1	SCREWING TUBE / SCHRAUBHUELSE	10
1	1	CONTACT HOLDER 5 WAY / STIFTHALTER 5 POLIG	9
1	1	CONTACT HOLDER 3 WAY / STIFTHALTER 3 POLIG	8
1	1	CONTACT CARRIER 5 WAY / STIFTTRAEGER 5 POLIG	7
1	1	CONTACT CARRIER 3 WAY / STIFTTRAEGER 3 POLIG	6
2	2	GROUNDING PLATE FOR 360° SHIELDING CONNECTION/ MASSESCHIEBE FUER 360° ABSCHIRMUNG	5
1	1	HOUSING / GEHAEUSE	4
1	1	CABLE SEALING / KABELDICHTUNG	3
1	1	STRAIN RELIEF / ZUGENTLASTUNGSKRONE	2
1	1	STRAIN RELIEF NUT / ZUGENTLASTUNGSMUTTER	1
-	-	REVISION OF EACH ASSY NO. (WHEN BLANK, USE DWG REV.)	
QTY REQD PER ASSY		DESCRIPTION / BESCHREIBUNG	ITEM-NO. TEIL-NR.
T01-0540-P05	T01-0540-P03	PARTS LIST / TEILE LISTE	
CATALOG-NO.	CATALOG-NO.		

1 CONTACTS OF TYPE TE CONNECTIVITY-PN: 5-1437720-4/T01-0540-P03 MUST BE ORDERED SEPARATELY  
 KONTAKTE DES TYPUS TE CONNECTIVITY-PN: 5-1437720-4/T01-0540-P03 MUESSEN SEPARAT BESTELLT WERDEN

2 CONTACTS OF TYPE TE CONNECTIVITY-PN: 5-1437720-5/T01-0540-P05 MUST BE ORDERED SEPARATELY  
 KONTAKTE DES TYPUS TE CONNECTIVITY-PN: 5-1437720-5/T01-0540-P05 MUESSEN SEPARAT BESTELLT WERDEN

6	1-1437719-2	100 PLUG CONNECTORS / STECKVERBINDER COMPONENT PARTS PACKAGED PER 100
7	1-1437719-1	100 PLUG CONNECTOR / STECKVERBINDER COMPONENT PARTS PACKAGED PER 100
TE CONNECTIVITY-NO./ TE CONNECTIVITY-NR.		ORDER QUANTITY / BESTELLMENGE

THIS DRAWING IS A CONTROLLED DOCUMENT.  
 DWN: H. GELSTER 18 JUN 2001  
 CBY: H. SCHUBERT 18 JUN 2001  
 APV: G. FELDMEIER 18 JUN 2001

NAME: T01 MALE PLUG CONNECTOR CRIMP-VERS. 3-5 POS.  
 T01 STIFTSTECKER CRIMPVERSION 3 - 5 POL.

SIZE: A1 CAGE CODE: 00779 DRAWING NO: 1-1437719-1  
 SCALE: MASSSTAB: 1 OF 1 SHEET: 1 REV: A4

RESTRICTED TO: NUR FUER: -