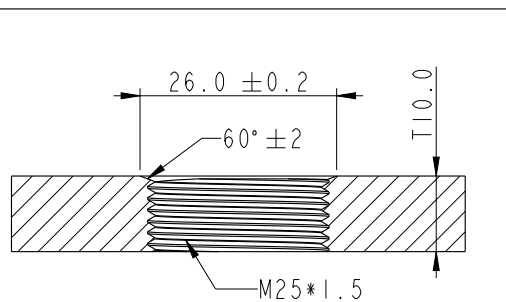


THIS DOCUMENT IS SUBJECT TO CHANGE WITHOUT NOTICE. IT IS CONFIDENTIAL AND A PROPERTY OF AMPHENOL LTW. DISCLOSURE TO THIRD PARTY HAS TO BE AUTHORIZED BY AMPHENOL LTW.

REV.	ECN NO.	DATE	SIGN	DESCRIPTION



- Notes:
- * \varnothing Important Dimension.
 - * Waterproof Rating: IP67
 - * Clamp Ring: PA66, UL94V-0.
 - * Seal Nut: PA66, UL94V-0.
 - * Seal: Silicone, UL94V-0, Gray.
 - * O-Ring: Silicone, UL94V-0, Gray.
 - * Assembly Put Into One PE Bag.

UNIT: mm TOLERANCE ±0.5		TITLE M25 LONGER CABLE GLAND		ITEM NO. CSL-25M0XX		DRAWN BY Ouyang		DATE 2018/01/17	
		SCALE 1:1	SIZE A4	SHEET 1	OF 2	DWG NO. CSL-25M0XX	CHECKED BY Mafei	DATE 2018/01/17	
		REV. A	WC-REV. .0	Inspection item		CUSTOMER ALTW	APPROVED BY Jerry	DATE 2018/01/17	
Amphenol LTW 安費諾亮泰企業股份有限公司				W10814-03-EM01A1					

THIS DOCUMENT IS SUBJECT TO CHANGE WITHOUT NOTICE. IT IS CONFIDENTIAL AND A PROPERTY OF AMPHENOL LTW. DISCLOSURE TO THIRD PARTY HAS TO BE AUTHORIZED BY AMPHENOL LTW.

REV.	ECN NO.	DATE	SIGN	DESCRIPTION



CSL-25M0XX

01:OD=2.6 Color Black
 02:OD=2.6 Color Grey

 11:OD=12.6 Color Black
 12:OD=12.6 Color Grey



No.	Part Number	Thread Style	Holes	Cable OD Range	Color	Note
1	CSL-25M001	M25	1	∅1.5~∅2.6	Black	Feed-Thru
2	CSL-25M002	M25	1	∅1.5~∅2.6	Grey	Feed-Thru
3	CSL-25M003	M25	1	∅2.0~∅3.2	Black	Feed-Thru
4	CSL-25M004	M25	1	∅2.0~∅3.2	Grey	Feed-Thru
5	CSL-25M005	M25	2	∅1.8~∅2.8	Black	Feed-Thru
6	CSL-25M006	M25	2	∅1.8~∅2.8	Grey	Feed-Thru
7	CSL-25M007	M25	1	∅5.0~∅7.0	Black	Feed-Thru
8	CSL-25M008	M25	1	∅5.0~∅7.0	Grey	Feed-Thru
9	CSL-25M009	M25	1	∅6.5~∅9.0	Black	Feed-Thru
10	CSL-25M010	M25	1	∅6.5~∅9.0	Grey	Feed-Thru
11	CSL-25M011	M25	1	∅10.0~∅12.4	Black	Insert
12	CSL-25M012	M25	1	∅10.0~∅12.4	Grey	Insert

UNIT: mm TOLERANCE ±0.5

TITLE M25 LONGER CABLE GLAND			
SCALE 1:1	SIZE A4	SHEET 2 OF 2	
REV. A	WC-REV. .0	QC: Inspection item	

Amphenol LTW
 安費諾亮泰企業股份有限公司

ITEM NO CSL-25M0XX	DRAWN BY Ouyang	DATE 2018/01/17
DWG NO CSL-25M0XX	CHECKED BY Mafei	DATE 2018/01/17
CUSTOMER ALTW	APPROVED BY Jerry	DATE 2018/01/17