

## Features

- Single pole/double throw
- Vertical adjust
- Rugged construction
- Board washable
- Wave solderable
- RoHS compliant\*

■ For switch applications/processing guidelines, [click here](#)

## 7829 6 mm Through-hole Sealed Rotary Switch

### Electrical Characteristics

Contact Rating  
 Maximum Current..... 100 mA max.  
 Maximum Voltage..... 16 V  
 Contact Timing..... Non-shorting  
 Contact Resistance ..... 2 ohms max.

### General Characteristics

Switch Type ..... SPDT  
 Operating Temperature Range  
 ..... -55 °C to +125 °C  
 Storage Temperature Range  
 ..... -55 °C to +125 °C  
 Thermal Shock ..... 5 cycles  
 ..... -55 °C to +125 °C  
 Seal Test..... 85 °C Fluorinert†

### Mechanical Characteristics

Stop Strength..... 3.5 N.cm  
 Positions ..... 2  
 Wiper ..... Position at CW end

### Environmental Characteristics

Vibration ..... 30 G  
 Shock..... 100 G  
 Thermal Shock ..... (5 cycles)  
 ..... -55 °C to +125 °C

Humidity  
 Insulation Resistance  
 ..... 10 megohms min.

Rotational Life  
 -051 ..... 50 Cycles  
 -023 ..... 2000 Cycles  
 Maximum Soldering Heat ..... 245 °C  
 Standard Packaging ..... 50 pcs/tube

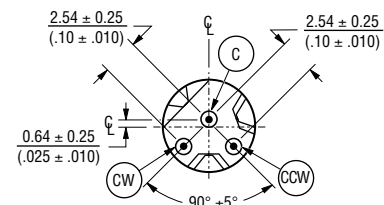
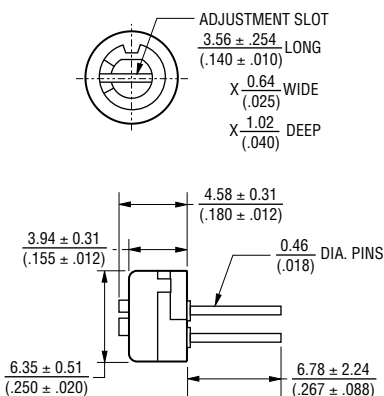
### How to Order

**7829 H - 1 - 051 LF**

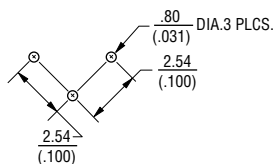
Model \_\_\_\_\_  
 Terminal \_\_\_\_\_  
 Switch Type \_\_\_\_\_  
 1 = SPDT  
 Rotational Life \_\_\_\_\_  
 -051 = 50 Cycles  
 -023 = 2000 Cycles  
 Termination \_\_\_\_\_  
 LF = 100 % Tin-plated (RoHS compliant)

### Product Dimensions

7829H



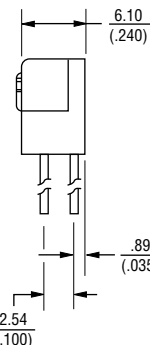
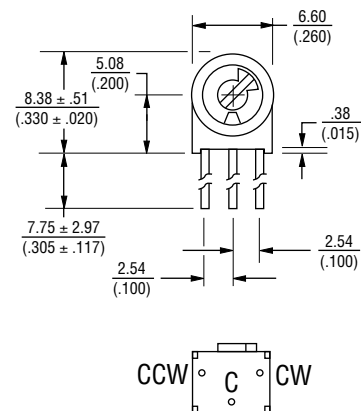
RECOMMENDED PCB LAYOUT



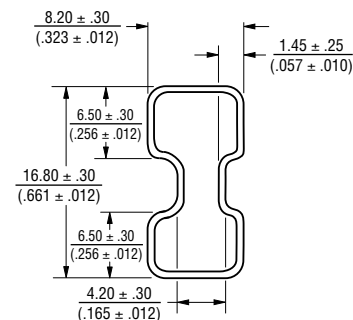
DIMENSIONS:  $\frac{\text{MM}}{\text{(INCHES)}}$

TOLERANCES: ±2 EXCEPT WHERE NOTED.

7829S



### Packaging Specifications



.TUBE LENGTH - 356 ± 1.50 MM.  
 UNITS PACKAGED 50 PIECES PER TUBE.