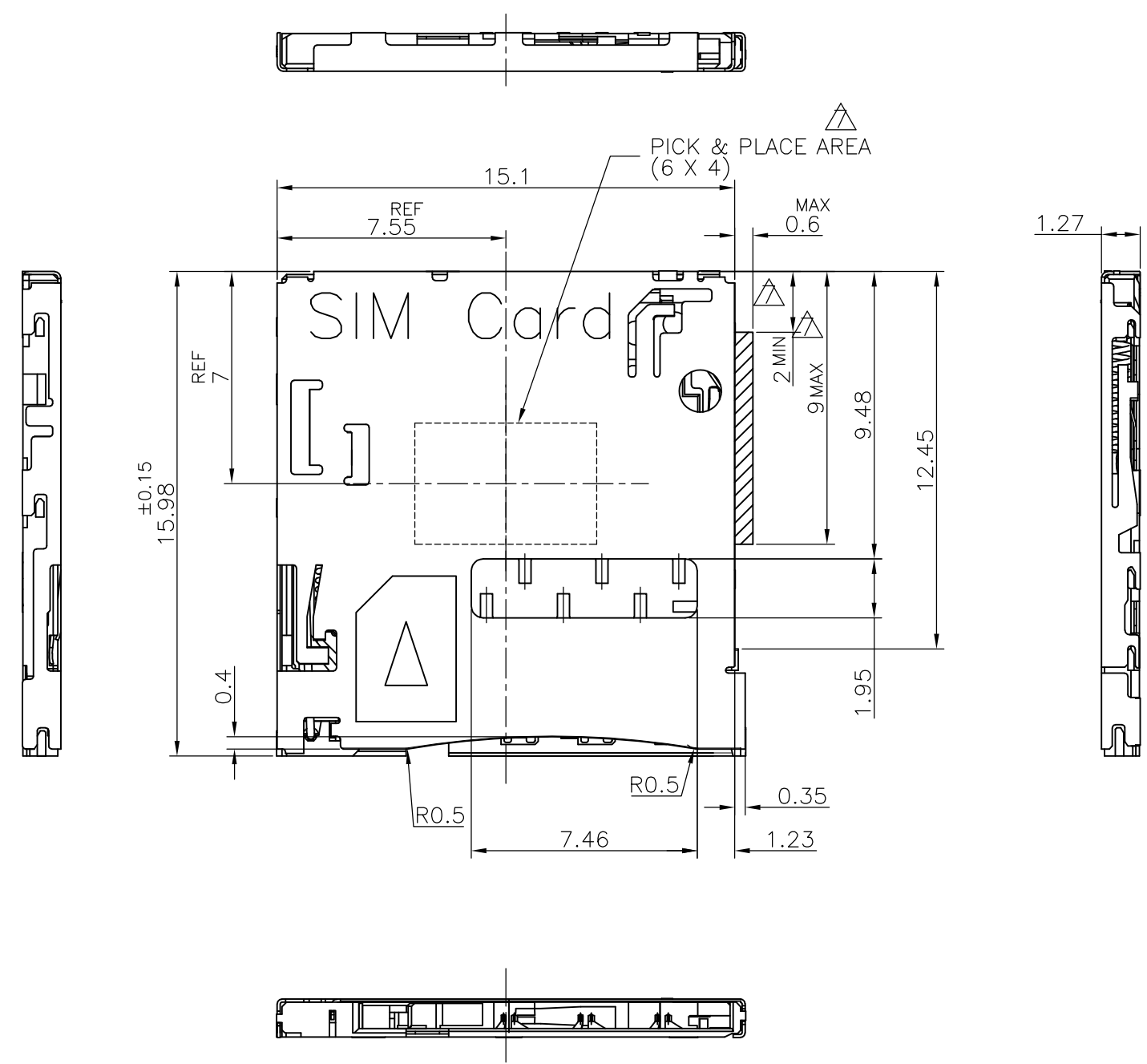


THIS DRAWING IS UNPUBLISHED. RELEASED FOR PUBLICATION JUL ,2013.  
 © COPYRIGHT 2013 By Tyco Electronics Japan G.K. ALL RIGHTS RESERVED.

LOC	DIST	REVISIONS					
		P	LTR	DESCRIPTION	DATE	DWN	APVD
J	/		A	RELEASED	12JUL2013	J.T	K.K



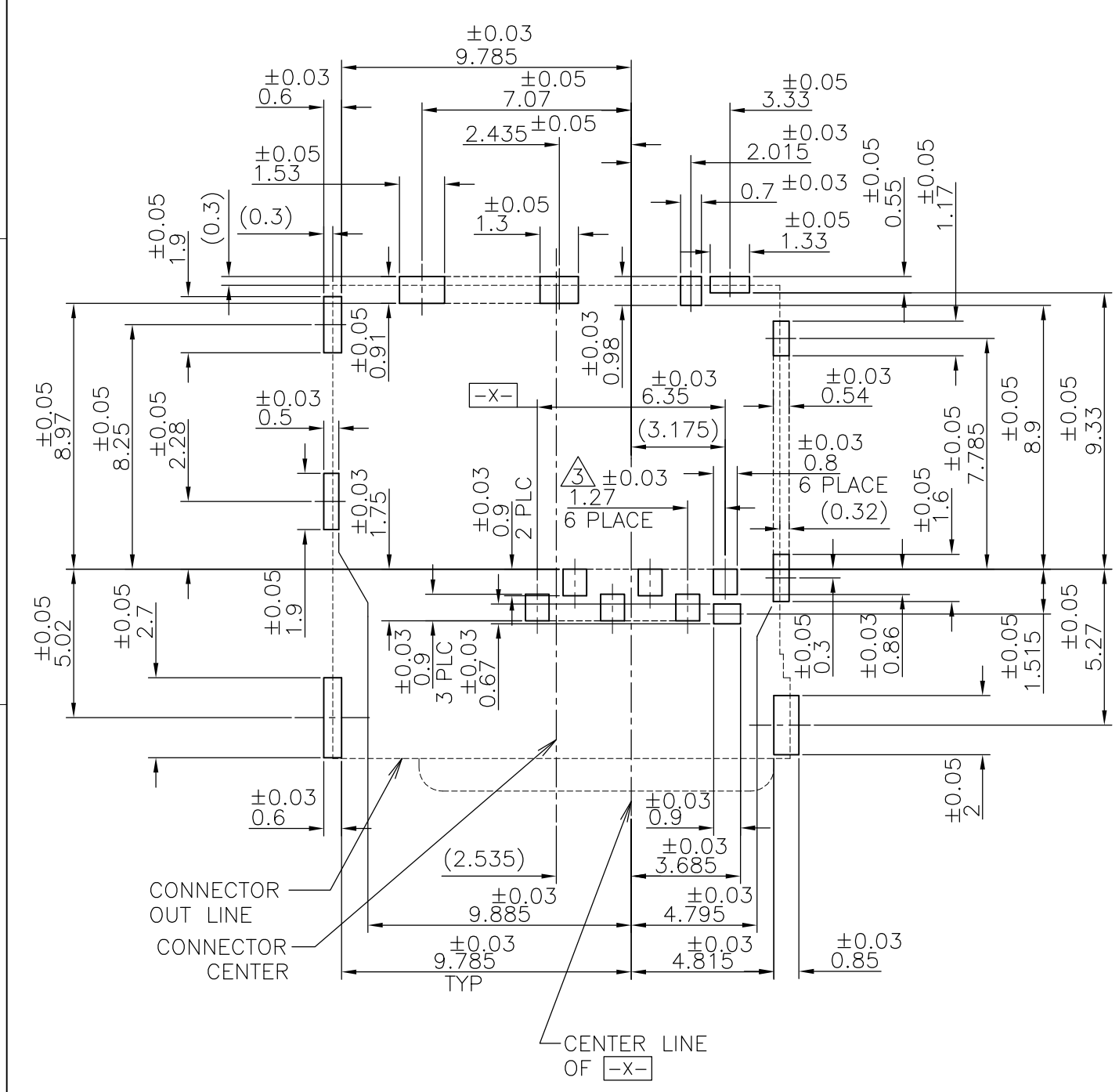
- 1. MATERIAL HOUSING,SLIDER : THERMOPLASTIC RESIN  
UL94V-0, COLOR;BLACK  
CONTACT : COPPER ALLOY  
SHELL : STAINLESS STEEL  
COIL : SWP  
CAM ROD : STAINLESS STEEL
- △ FINISH CONTACT : Au PL AT CONTACT AREA  
Au PL AT SOLDERING AREA  
SHELL : Au PL AT SOLDERING AND SWITH AREA
- △ NON-CUMULATIVE TOLERANCE
- 4. COPLANARITY IS 0.1MAX.
- △ CIRCUIT DRAWING OF SWITCH.
- 6. OVERALL TOLERANCE:±0.1
- △ SWITCH MOVING AREA.

△	2229333-2
FINISH	PART NUMBER

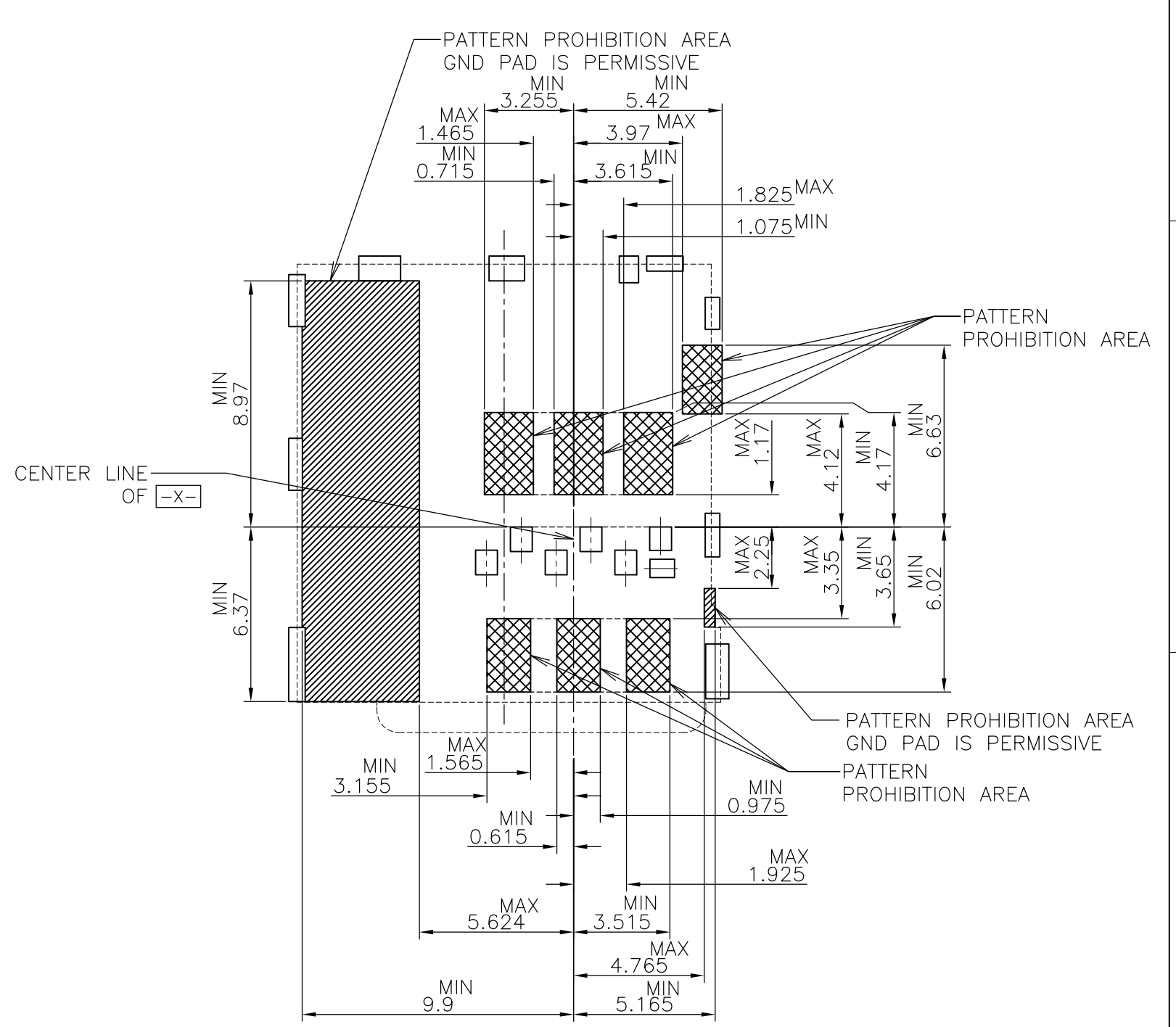
THIS DRAWING IS A CONTROLLED DOCUMENT.		DWN J.TSUJI 12JUL2013	<b>TE Connectivity</b>		
DIMENSIONS: mm		CHK K.KOBAYASHI 12JUL2013			
TOLERANCES UNLESS OTHERWISE SPECIFIED:		APVD K.KOBAYASHI 12JUL2013	NAME		
0 PLC ± -		PRODUCT SPEC			
1 PLC ± -		APPLICATION SPEC			
2 PLC ± -		SIZE		CAGE CODE	DRAWING NO
3 PLC ± -		A3		00779	C-2229333
4 PLC ± -		WEIGHT		RESTRICTED TO	
ANGLES ± -		-		-	
FINISH		CUSTOMER DRAWING		SCALE 5:1	SHEET 1 OF 5

THIS DRAWING IS UNPUBLISHED. RELEASED FOR PUBLICATION JUL ,2013.  
 © COPYRIGHT 2013 By Tyco Electronics Japan G.K. ALL RIGHTS RESERVED.

LOC	DIST	REVISIONS					
		P	LTR	DESCRIPTION	DATE	DWN	APVD
J	/			SEE SHEET 1	-	-	-



PCB LAYOUT(REFERENCE)  
(VIEWED FROM CONNECTOR MOUNT SIDE)



THIS DRAWING IS A CONTROLLED DOCUMENT.		DWN	-		
DIMENSIONS: mm		CHK	-		
TOLERANCES UNLESS OTHERWISE SPECIFIED:		APVD	-		
0 PLC ± -		PRODUCT SPEC	-		
1 PLC ± -		APPLICATION SPEC	-		
2 PLC ± -		WEIGHT	-		
3 PLC ± -			-		
4 PLC ± -			-		
ANGLES ± -			-		
FINISH ± -			-		
MATERIAL			-		

TE Connectivity		NAME	
		MICRO SIM CONNECTOR PUSH-PUSH SMT TYPE	
SIZE	CAGE CODE	DRAWING NO	RESTRICTED TO
A3	00779	C-2229333	-
CUSTOMER DRAWING		SCALE	SHEET
		5:1	2 OF 5
		REV	A

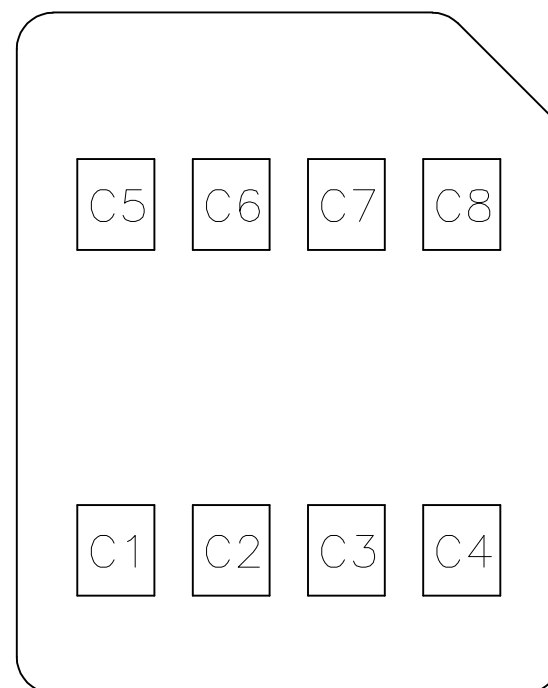
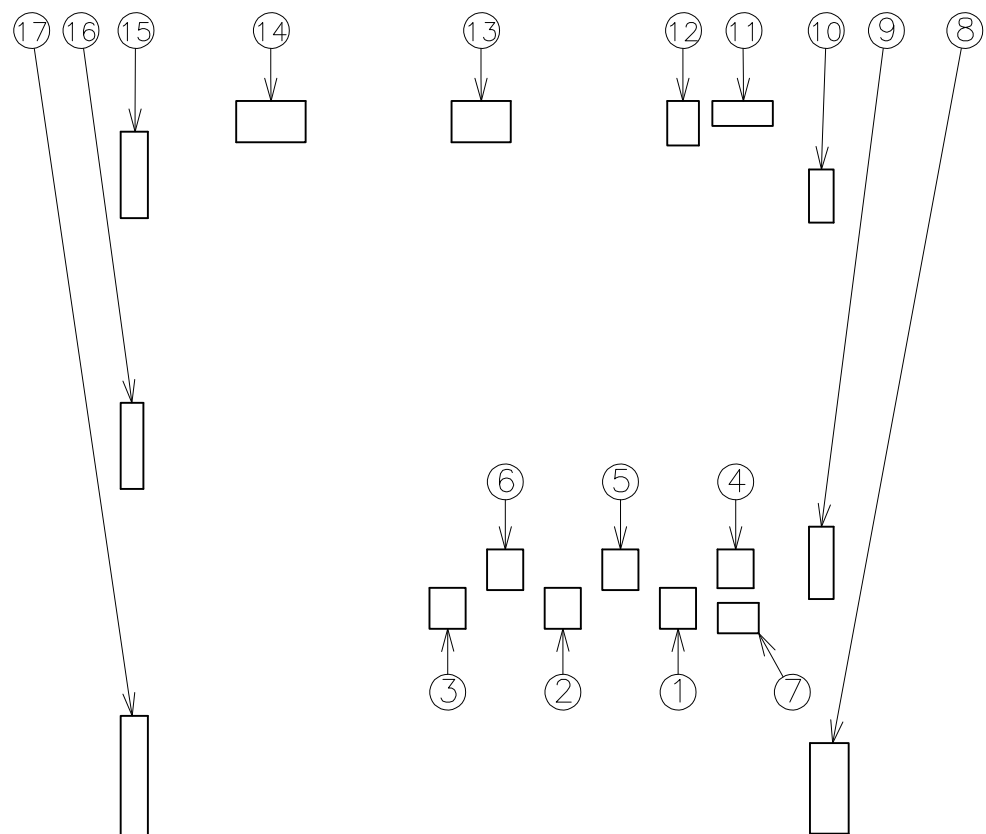
P	LTR	DESCRIPTION	DATE	DWN	APVD
-	-	SEE SHEET 1	-	-	-

### Connector Pin Assignment

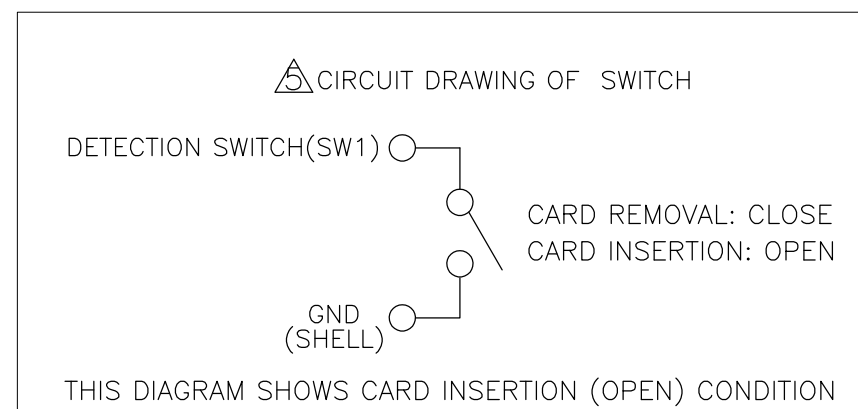
No.	Pin Name	Description
①	C1	Vcc of SIM
②	C2	RST of SIM
③	C3	CLK of SIM
④	C5	GND of SIM
⑤	C6	Vpp of SIM
⑥	C7	I/O of SIM
⑦	SW	Detection Switch
⑧~⑰	GND	Shell Ground

### SIM Card Pin Assignment

Pin No.	Name
C1	Vcc
C2	RST
C3	CLK
C4	Reserved
C5	GND
C6	Vpp
C7	I/O
C8	Reserved



SIM CARD PAD LAYOUT



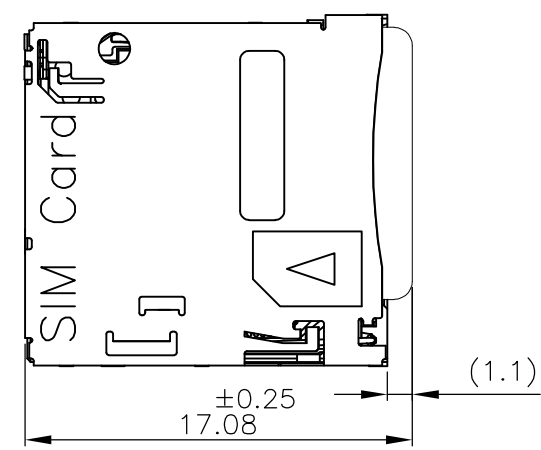
PCB LAYOUT(REFERENCE)  
(VIEWED FROM CONNECTOR MOUNT SIDE)

THIS DRAWING IS A CONTROLLED DOCUMENT.		DWN	-		
DIMENSIONS: mm		CHK	-		
TOLERANCES UNLESS OTHERWISE SPECIFIED:		APVD	-		
0 PLC ± -		PRODUCT SPEC	-		
1 PLC ± -		APPLICATION SPEC	-		
2 PLC ± -		WEIGHT	-		
3 PLC ± -		<p>STE TE Connectivity</p> <p>NAME: MICRO SIM CONNECTOR PUSH-PUSH SMT TYPE</p>			
4 PLC ± -		SIZE	CAGE CODE	DRAWING NO	RESTRICTED TO
ANGLES ± -		A3	00779	C-2229333	-
FINISH		CUSTOMER DRAWING		SCALE	SHEET
				NTS	3 OF 5
				REV	A

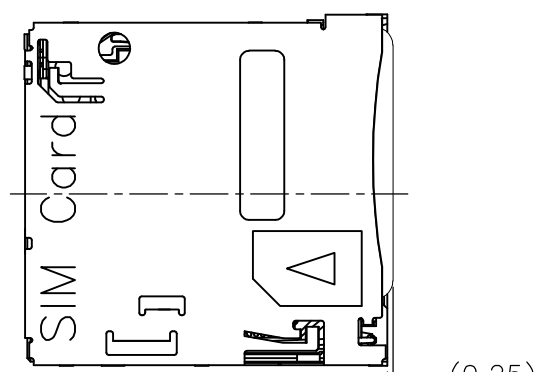
THIS DRAWING IS UNPUBLISHED. RELEASED FOR PUBLICATION JUL ,2013.  
 © COPYRIGHT 2013 By Tyco Electronics Japan G.K. ALL RIGHTS RESERVED.

LOC	DIST	REVISIONS			
P	LTR	DESCRIPTION	DATE	DWN	APVD
J	/	SEE SHEET 1	-	-	-

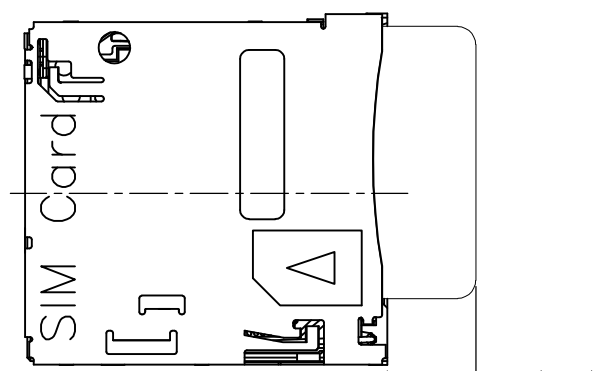
THERE IS NO MICRO SIM CARD LOCK IN THIS CONNECTOR.  
 CARD STOPPER AS SHOWN BELOW MUST BE NECESSARY.



MATING

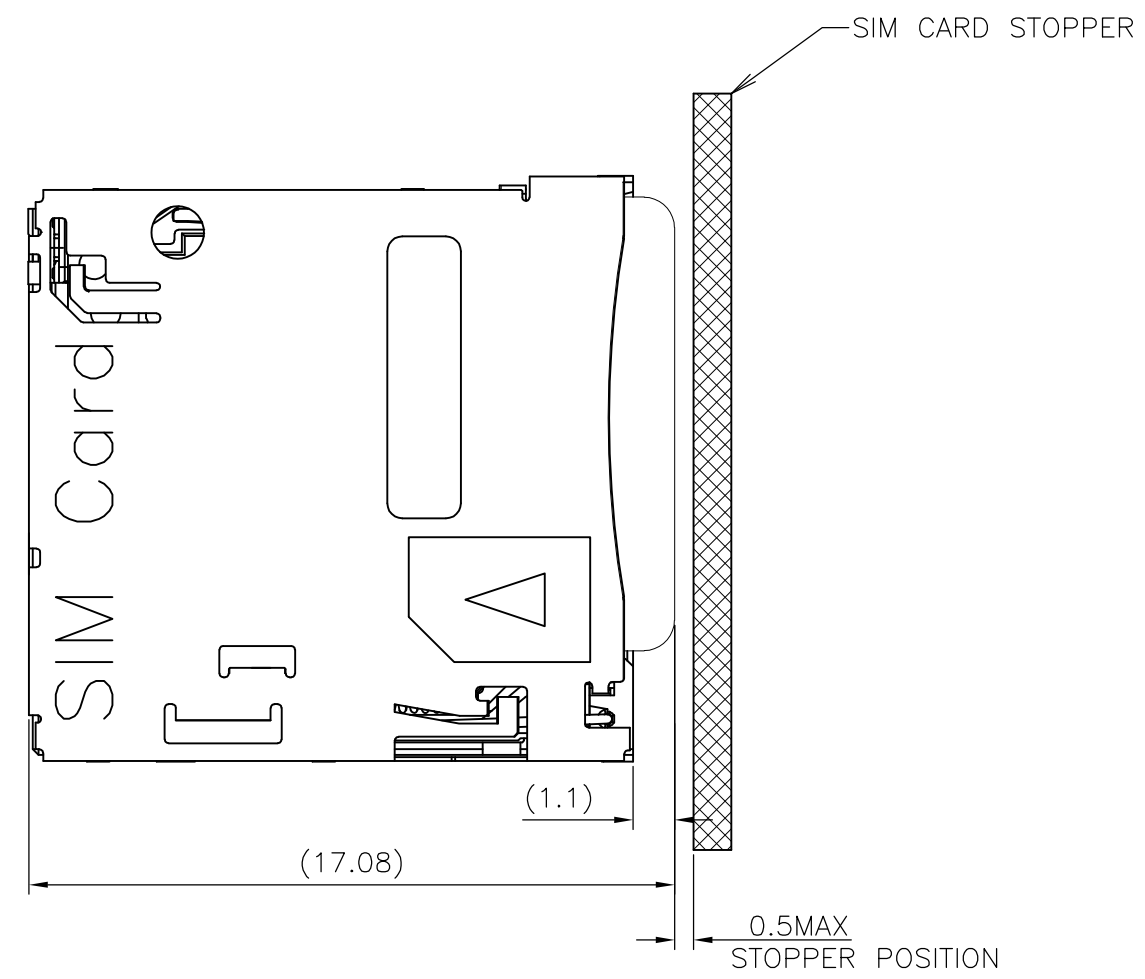


PUSH



EJECT

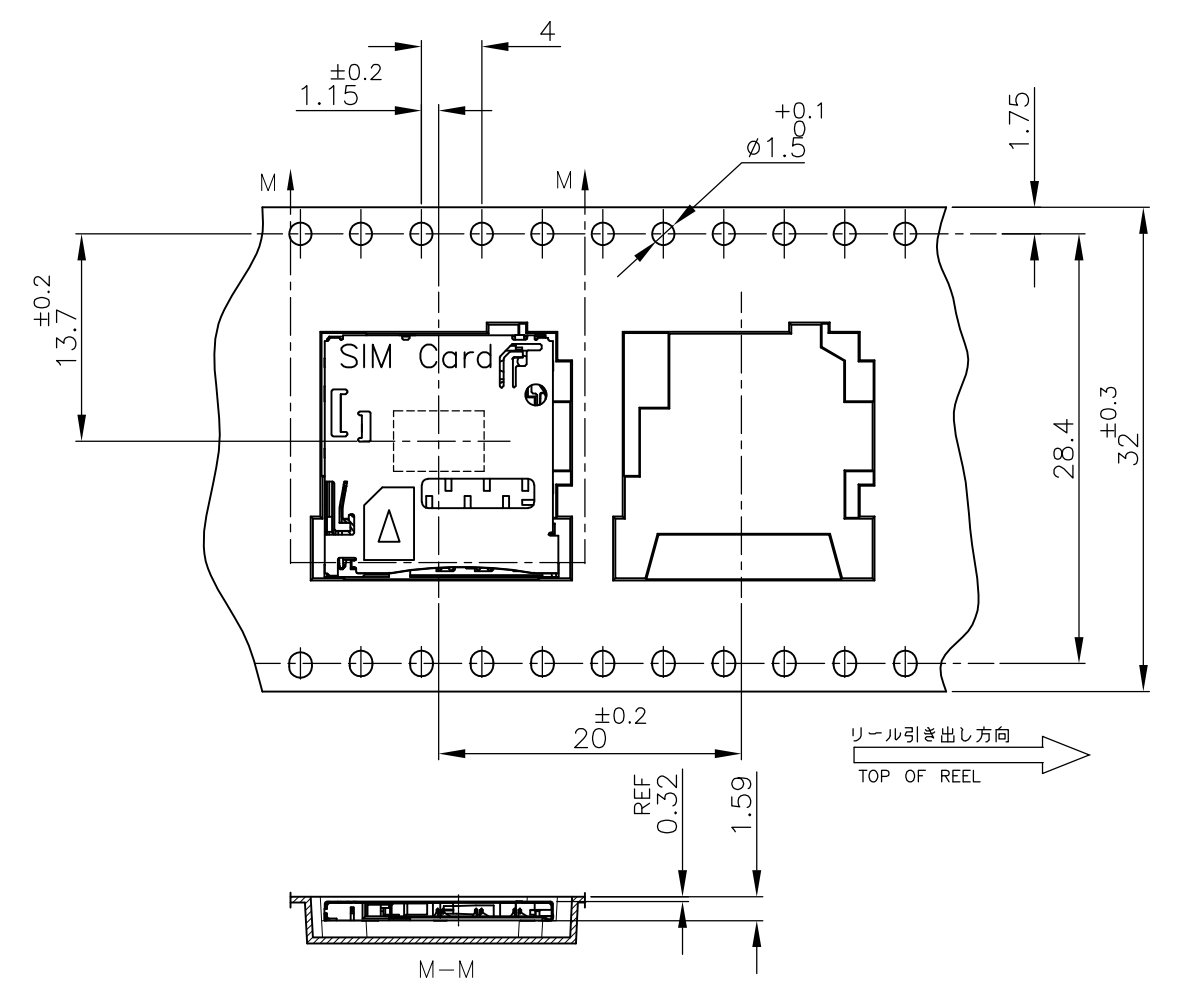
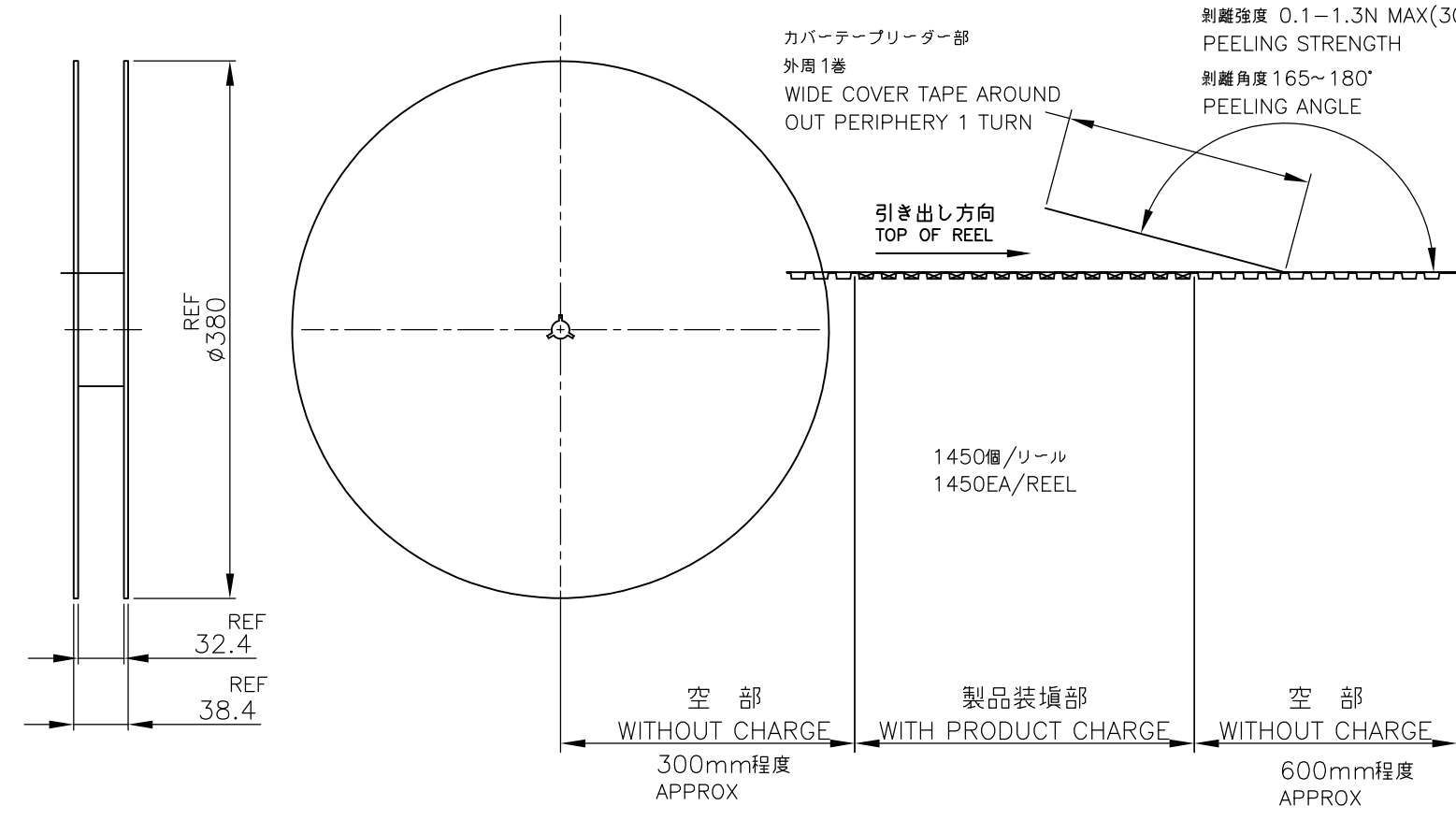
SCALE 3:1



THIS DRAWING IS A CONTROLLED DOCUMENT.		DWN	TE Connectivity		
DIMENSIONS: mm		CHK			
TOLERANCES UNLESS OTHERWISE SPECIFIED:		APVD	MICRO SIM CONNECTOR PUSH-PUSH SMT TYPE		
0 PLC ± - 1 PLC ± - 2 PLC ± - 3 PLC ± - 4 PLC ± - ANGLES ± - FINISH		PRODUCT SPEC	SIZE	CAGE CODE	DRAWING NO
MATERIAL		APPLICATION SPEC	A3	00779	C-2229333
		WEIGHT	RESTRICTED TO		
		CUSTOMER DRAWING	SCALE 5:1	SHEET 4 OF 5	REV A

THIS DRAWING IS UNPUBLISHED. RELEASED FOR PUBLICATION JUL ,2013.  
 © COPYRIGHT 2013 By Tyco Electronics Japan G.K. ALL RIGHTS RESERVED.

LOC	DIST	REVISIONS			
P	LTR	DESCRIPTION	DATE	DWN	APVD
J	/	SEE SHEET 1	-	-	-



THIS DRAWING IS A CONTROLLED DOCUMENT.		DWN	TE Connectivity			
DIMENSIONS: mm		CHK				
TOLERANCES UNLESS OTHERWISE SPECIFIED:		APVD	NAME			
0 PLC ± -		PRODUCT SPEC	MICRO SIM CONNECTOR			
1 PLC ± -		APPLICATION SPEC	PUSH-PUSH SMT TYPE			
2 PLC ± -		WEIGHT	SIZE	CAGE CODE	DRAWING NO	RESTRICTED TO
3 PLC ± -		CUSTOMER DRAWING	A3	00779	C-2229333	-
4 PLC ± -			SCALE	NTS	SHEET	5 OF 5
ANGLES ± -						A
FINISH						