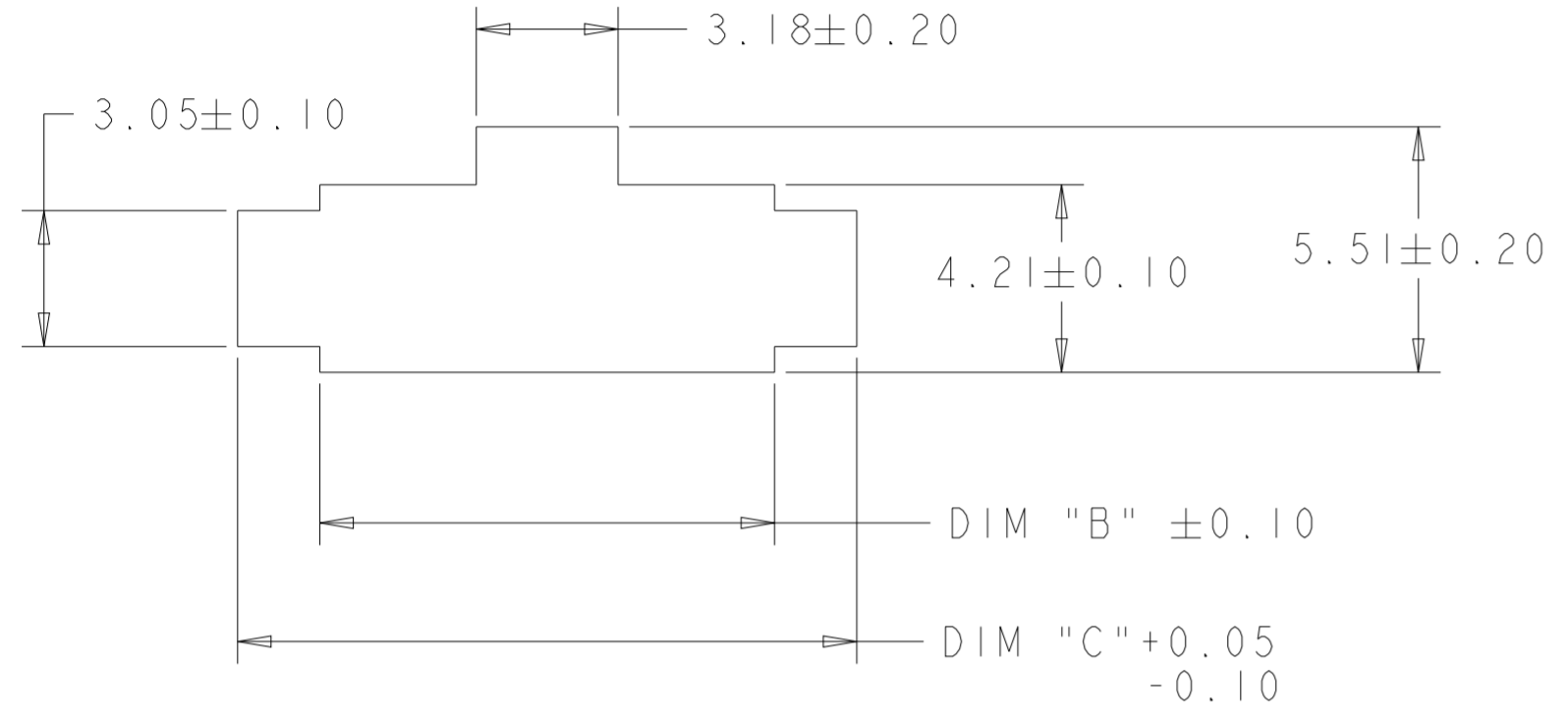
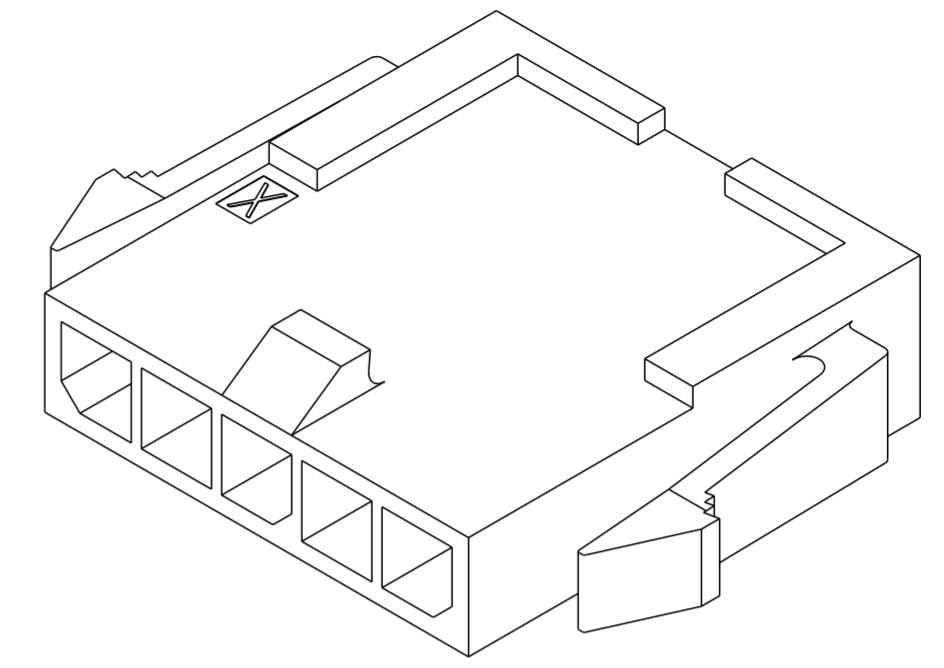
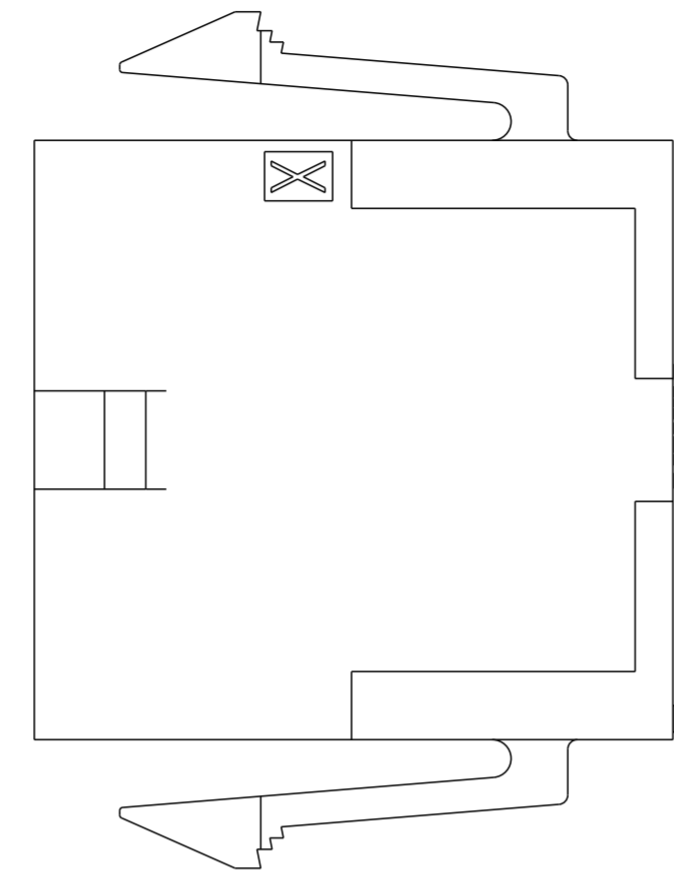


THIS DRAWING IS UNPUBLISHED. RELEASED FOR PUBLICATION 20
 © COPYRIGHT 20 ALL RIGHTS RESERVED.

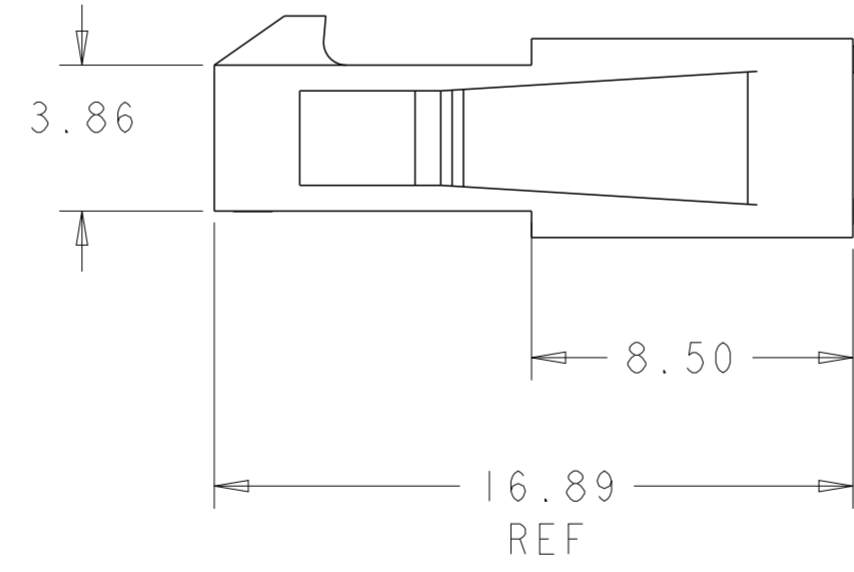
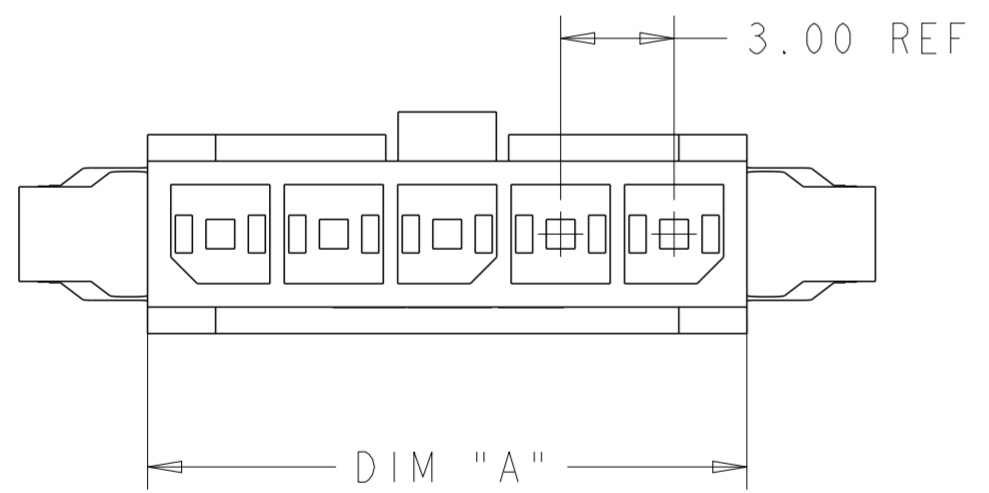
REVISIONS					
P	LTR	DESCRIPTION	DATE	DWN	APVD
P2		REVISED PER ECR-16-013672	14OCT2016	BW	SC
P3		REVISED PER ECR-17-013562	14SEP2017	JB	DZ



PANEL CUT-OUT $\triangle 1$



SCALE 5:1



- $\triangle 1$ RECOMMENDED PANEL THICKNESS 1.57-2.3.
- 2. PANEL MUST BE PUNCHED SO THAT HOUSING ENTERS THE PANEL IN THE SAME DIRECTION AS THE PUNCH.
- $\triangle 3$ MATERIAL NYLON66/6 V0 UL94, COLOR-BLACK.
- $\triangle 4$ MATERIAL PA66 V0 GW UL94, COLOR-NATURAL.

REMARK	DIM C	DIM B	DIM A	NO. OF POS.	PART NUMBER
$\triangle 4$	16.88	13.20	12.85	4	2-1445048-4
	13.88	10.20	9.85	3	2-1445048-3
	10.88	7.20	6.85	2	2-1445048-2
	40.88	37.20	36.85	12	1-1445048-2
$\triangle 3$	37.88	34.20	33.85	11	1-1445048-1
	34.88	31.20	30.85	10	1-1445048-0
	31.88	28.20	27.85	9	1445048-9
	28.88	25.20	24.85	8	1445048-8
	25.88	22.20	21.85	7	1445048-7
	22.88	19.20	18.85	6	1445048-6
	19.88	16.20	15.85	5	1445048-5
	16.88	13.20	12.85	4	1445048-4
	13.88	10.20	9.85	3	1445048-3
	10.88	7.20	6.85	2	1445048-2

THIS DRAWING IS A CONTROLLED DOCUMENT.

DIMENSIONS: mm	TOLERANCES UNLESS OTHERWISE SPECIFIED:	DWN W J RUDY 29AUG2000	TE Connectivity
	0 PLC ±	CHK W DAVIS 29AUG2000	
	1 PLC ±	APVD W DAVIS 29AUG2000	
	2 PLC ±0.13	PRODUCT SPEC 108-1836	
MATERIAL SEE NOTES	3 PLC ±	APPLICATION SPEC 114-13000	NAME PLUG HOUSING, 2 TO 12 POSITION SINGLE ROW, PANEL MOUNT MICRO MATE-N-LOK™
	4 PLC ±	WEIGHT -	SIZE A2 CAGE CODE 00779 DRAWING NO C-1445048
	ANGLES ±	CUSTOMER DRAWING	RESTRICTED TO -
	FINISH -	SCALE 6:1 SHEET 1 OF 1 REV P3	