

THIS DRAWING IS UNPUBLISHED. RELEASED FOR PUBLICATION

© COPYRIGHT - TE Connectivity Ltd.

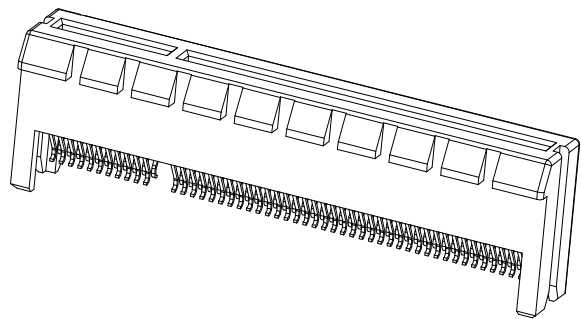
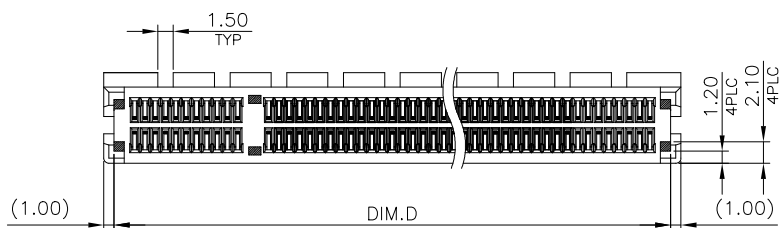
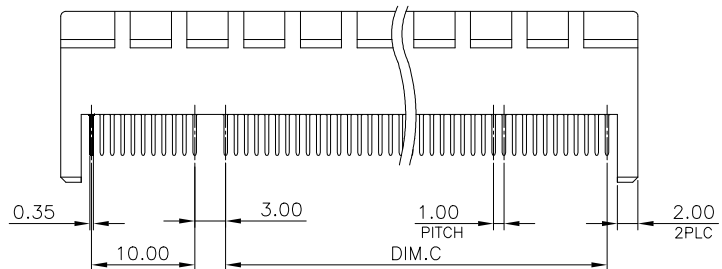
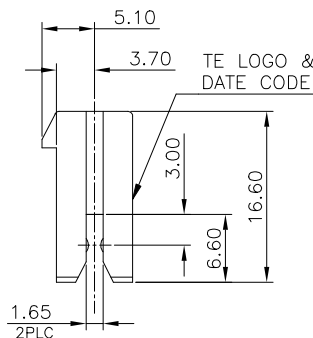
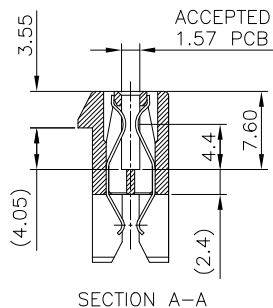
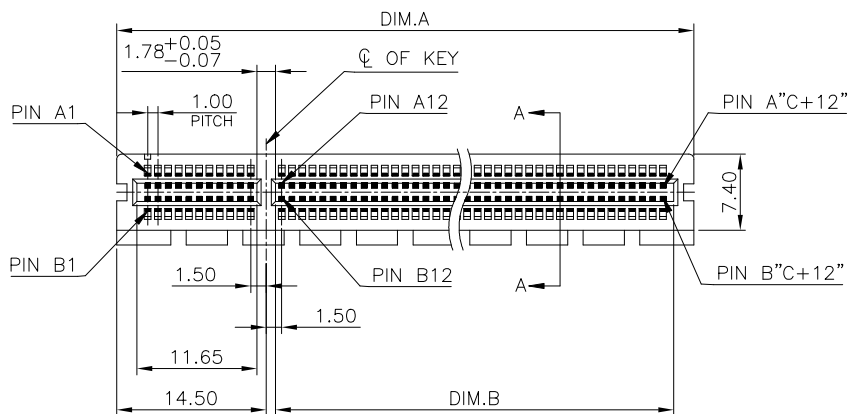
ALL RIGHTS RESERVED.

REVISIONS

P	LTR	DESCRIPTION	DATE	DWN	APVD
	C	ECR-17-013893	10JAN2018	FL	HL

NOTE:

- MATERIAL:  
HOUSING: NY9T UL 94V-0, COLOR: (SEE TABLE).  
CAP: LCP UL 94V-0, COLOR: BLACK.  
CONTACTS: PHOSPHOR BRONZE.
  - FINISH:  
CONTACTS: (SEE TABLE) GOLD PLATED ON CONTACT AREA, 2.54um [100u"] MIN. MATTE-TIN ON SOLDER TAIL, WITH ENTIRE CONTACT UNDERPLATED 1.27um [50u"] MIN. NICKEL.
  - REFLOW SOLDER CAPABLE TO 260°C PER TEST SPEC. TEC-109-201, CONDITION B.
  - WEIGHT:  
36 POS.: 2.9 GRAMS  
64 POS.: 4.0 GRAMS  
98 POS.: 5.4 GRAMS  
164 POS.: 9.1 GRAMS
- ⚠ FOR REFLOW PROCESS, THE CAP MUST BE ATTACHED, IT WILL PROTECT HOUSING WARPAGE.

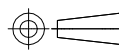


	0.762um[30u"] MIN.	X-1734857-5
	0.381um[15u"] MIN.	X-1734857-4
OBSELETE	0.254um[10u"] MIN.	X-1734857-3
OBSELETE	-0.127um[5u"] MIN.	X-1734857-2
	0.0254um[1u"] MIN.	X-1734857-1
	GOLD PLATING	PART NUMBER

COLOR	87	70	71.65	89	164	8-	-X
BLACK	54	37	38.65	56	98	7-	-X
	37	20	21.65	39	64	6-	-X
	23	6	7.65	25	36	5-	-X
WHITE (NATURE)	87	70	71.65	89	164	4-	-X
	54	37	38.65	56	98	3-	-X
	37	20	21.65	39	64	2-	-X
	D	C	B	A		POSITION NUMBER	PART NUMBER
	DIMENSIONS						

THIS DRAWING IS A CONTROLLED DOCUMENT.

DIMENSIONS: mm



MATERIAL SEE NOTE

TOLERANCES UNLESS OTHERWISE SPECIFIED:

0 PLC	± -
1 PLC	± 0.3
2 PLC	± 0.2
3 PLC	± 0.15
4 PLC	± -
ANGLES	± 3'

FINISH SEE NOTE

DWN B. HSING 05JUN2009  
 CHK S. CHIEN 05JUN2009  
 APVD W. KODAMA 05JUN2009  
 PRODUCT SPEC 108-57854  
 APPLICATION SPEC -  
 WEIGHT 0  
 CUSTOMER DRAWING



PCI EXPRESS CARD EDGE CONNECTOR STRADDLE MOUNT TYPE

SIZE A3 CAGE CODE 00779 C=1734857 DRAWING NO. RESTRICTED TO -  
 SCALE 1:1 SHEET 1 OF 4 REV C

4

3

2

1

THIS DRAWING IS UNPUBLISHED.

RELEASED FOR PUBLICATION

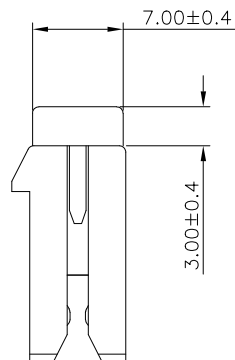
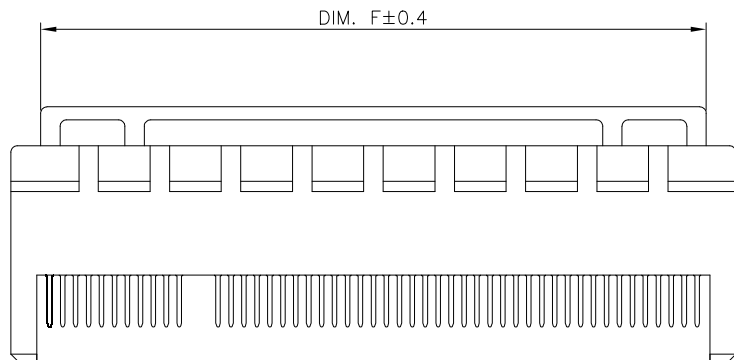
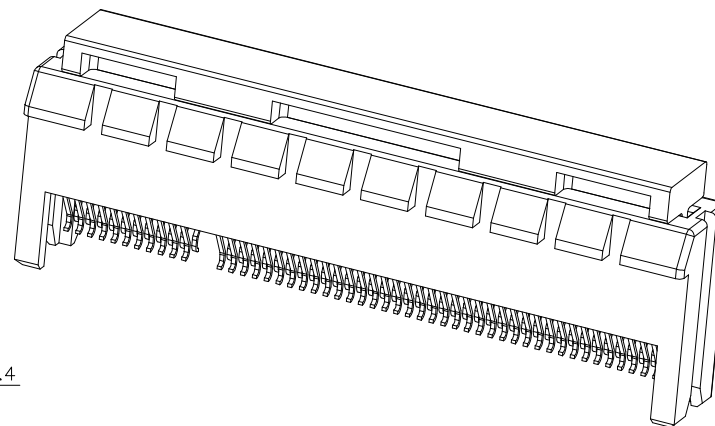
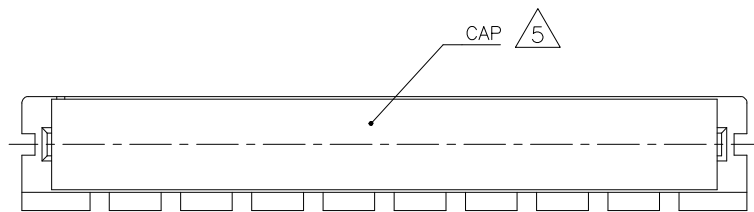
-. - .

© COPYRIGHT - TE Connectivity Ltd.

ALL RIGHTS RESERVED.

REVISIONS

P	LTR	DESCRIPTION	DATE	DWN	APVD
-	-	SEE SHEET 1	-	-	-



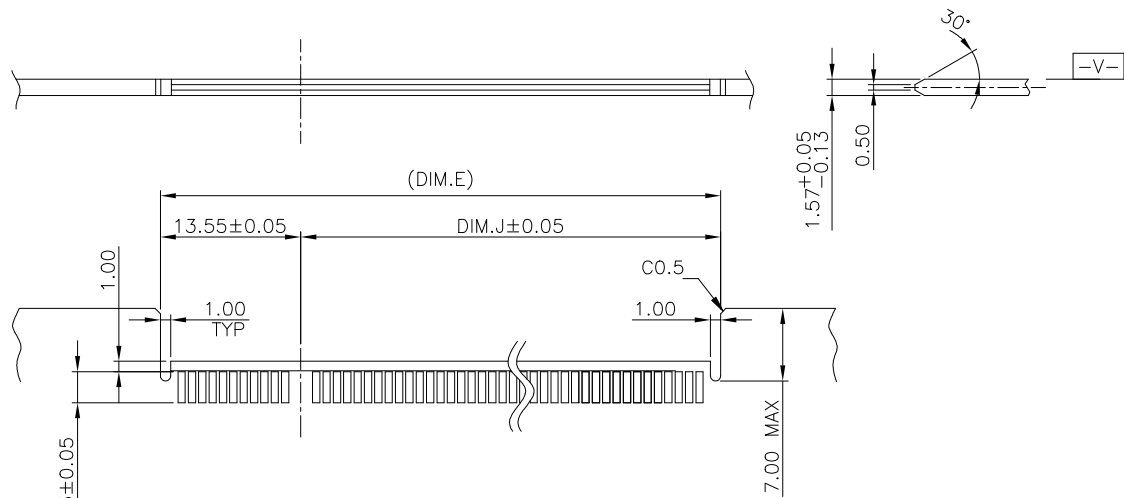
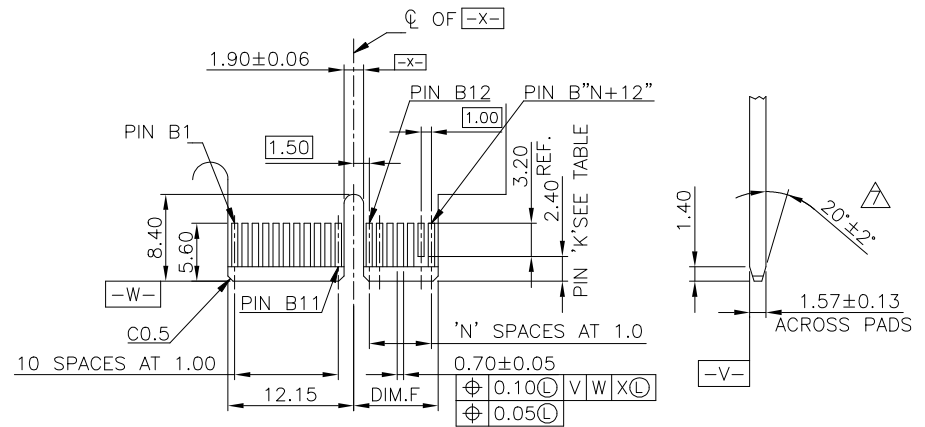
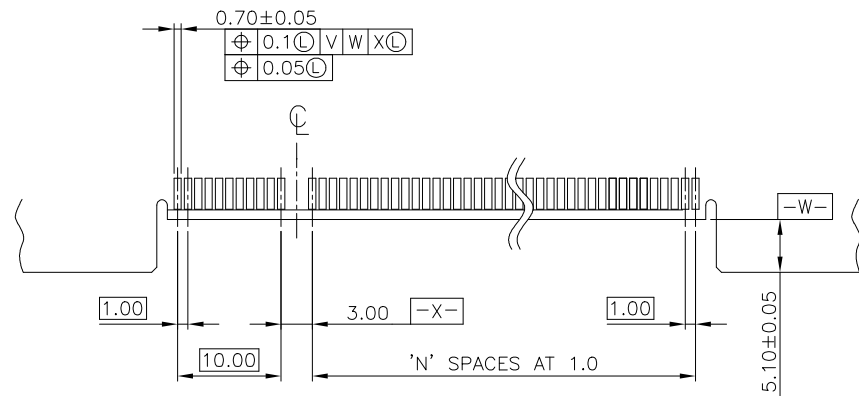
△5 ASSEMBLY WITH CAP CONDITION

36	20.4
64	34.4
98	51.4
164	84.4
POSITION	DIM F

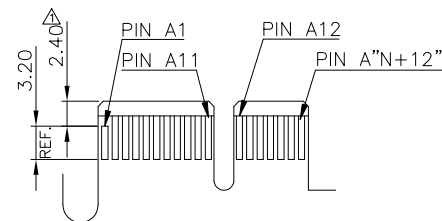
THIS DRAWING IS A CONTROLLED DOCUMENT.		DWN B. HSING 05JUN2009	TE Connectivity Ltd.	
		CHK S. CHIEN 05JUN2009		
DIMENSIONS: mm		APVD W. KODAMA 05JUN2009	NAME PCI EXPRESS CARD EDGE CONNECTOR STRADDLE MOUNT TYPE	
		PRODUCT SPEC 108-57854	RESTRICTED TO	
TOLERANCES UNLESS OTHERWISE SPECIFIED:		APPLICATION SPEC	SIZE A3	CAGE CODE 00779
0 PLC ± -		WEIGHT 0	DRAWING NO C=1734857	SCALE 1:1
1 PLC ± 0.3		CUSTOMER DRAWING		SHEET 2 OF 4
2 PLC ± 0.2				REV C
3 PLC ± 0.15				
4 PLC ± -				
ANGLES ± 3'				
MATERIAL SEE NOTE	FINISH SEE NOTE			

THIS DRAWING IS UNPUBLISHED. RELEASED FOR PUBLICATION  
 © COPYRIGHT - TE Connectivity Ltd. ALL RIGHTS RESERVED.

REVISIONS					
P	LTR	DESCRIPTION	DATE	DWN	APVD
-	-	SEE SHEET 1	-	-	-



I/O PANEL DIRECTION  
 PRIMARY (COMPONENT) SIDE



SECONDARY (SOLDER) SIDE  
 PCI-E ADD-IN CARD EDGE-FINGER DIMENSION.

RECOMMENDED PCB LAYOUT  
 PCB TOLERANCE: ±0.05

164	70	87.1	73.55	72.15	B17,B31,B48,B81
98	37	54.1	40.55	39.15	B17,B31,B48
64	20	37.1	23.55	22.15	B17,B31
36	6	23.1	9.55	8.15	B17
POS.	N	DIM.E	DIM.J	DIM.F	"K"

6. NO TIE BAR PERMITTED FROM CARD EDGE TO LEADING EDGE OF PAD FOR PINS A1 AND "K"  
 CHAMFER EDGE MUST BE FREE OF CUTTING BURRS

THIS DRAWING IS A CONTROLLED DOCUMENT.		DWN B. HSING 05JUN2009	TE Connectivity Ltd.		
		CHK S. CHIEN 05JUN2009			
DIMENSIONS: mm		APVD W. KODAMA 05JUN2009	NAME		
		PRODUCT SPEC 108-57854	PCI EXPRESS CARD EDGE CONNECTOR STRADDLE MOUNT TYPE		
TOLERANCES UNLESS OTHERWISE SPECIFIED: 0 PLC ± - 1 PLC ± - 2 PLC ± - 3 PLC ± - 4 PLC ± - ANGLES ± -		APPLICATION SPEC	-		
MATERIAL SEE NOTE		WEIGHT 0	SIZE A3	CAGE CODE 00779	DRAWING NO C=1734857
FINISH SEE NOTE		CUSTOMER DRAWING	RESTRICTED TO	SCALE 1:1	SHEET 3 OF 4
				REV C	

THIS DRAWING IS UNPUBLISHED.

RELEASED FOR PUBLICATION

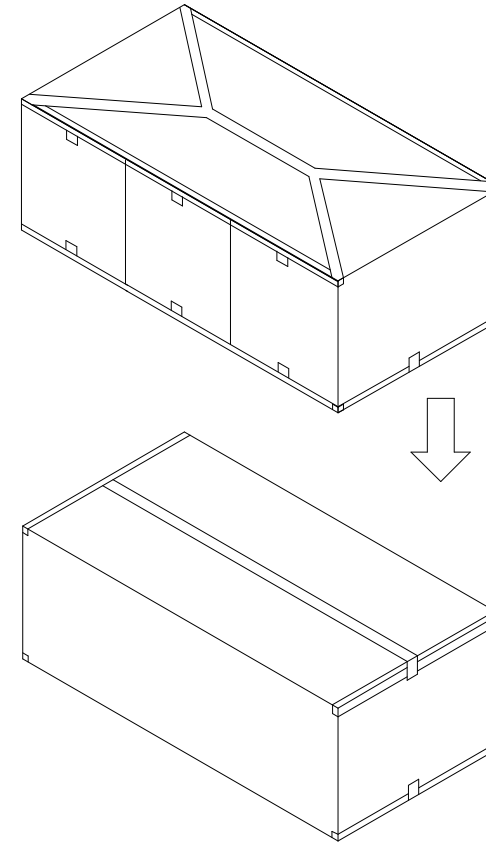
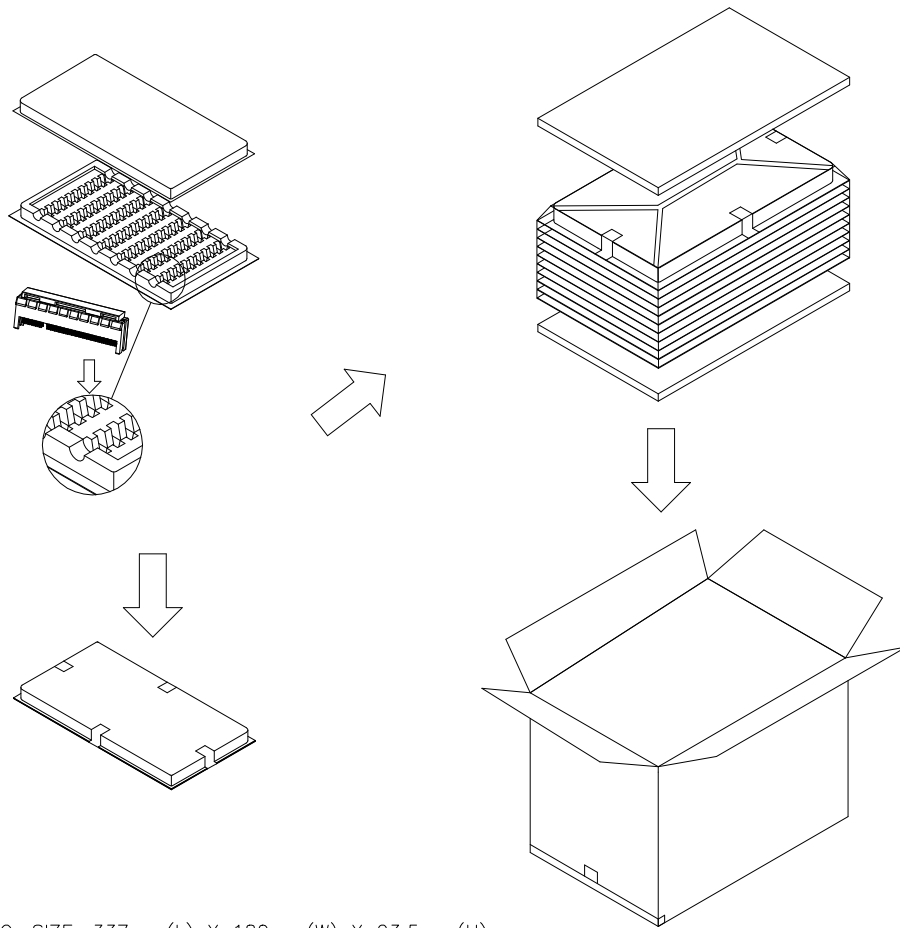
-. - .

© COPYRIGHT - TE Connectivity Ltd.

ALL RIGHTS RESERVED.

REVISIONS

P	LTR	DESCRIPTION	DATE	DWN	APVD
-		SEE SHEET 1	-	-	-



NOTES:

1. TRAY : PVC, SIZE: 337mm(L) X 180mm(W) X 23.5mm(H).
2. CARTON : CORRUGATED, SIZE: 353mm(L) X 199mm(W) X 223mm(H).
3. CARTON TRANSPARENT BAG : PE, SIZE: 560mm(L) X 400mm(W) X 0.05mm(H).
4. E.P.E SIZE: 336mm(L) X 182mm(W) X 8mm(H).
5. BOX TRANSPARENT BAG : PE, SIZE: 600mm(L) X 590mm(W) X 0.06mm(H).
6. BOX : CORRUGATED, SIZE: 603mm(L) X 371mm(W) X 240mm(H).
7. QUANTITY: SEE TABL

164	30	300	900	8.2	12.1
98	40	400	1200	6.5	10.4
64	60	600	1800	7.2	11.1
36	70	700	2100	6.1	10.0
POS No.	PIECES PER TRAY	PIECES PER CARTON	PIECES PER BOX	NET WEIGHT (Kg)	GROSS WEIGHT (Kg)

THIS DRAWING IS A CONTROLLED DOCUMENT.

DIMENSIONS:  
mm



MATERIAL  
SEE NOTE

TOLERANCES UNLESS OTHERWISE SPECIFIED:

0 PLC	± -
1 PLC	± -
2 PLC	± -
3 PLC	± -
4 PLC	± -
ANGLES	± 3'

FINISH  
SEE NOTE

DWN B. HSING 05JUN2009  
 CHK S. CHIEN 05JUN2009  
 APVD W. KODAMA 05JUN2009  
 PRODUCT SPEC  
 APPLICATION SPEC  
 108-57854

WEIGHT 0

CUSTOMER DRAWING



TE Connectivity Ltd.

NAME  
PCI EXPRESS CARD EDGE CONNECTOR  
STRADDLE MOUNT TYPE

SIZE	CAGE CODE	DRAWING NO	RESTRICTED TO
------	-----------	------------	---------------

A3	00779	C=1734857	-
----	-------	-----------	---

SCALE 1:1	SHEET 4 OF 4	REV C
-----------	--------------	-------