

# Netkey Modular Furniture Faceplates (Standard openings)

**PANDUIT**

DATA SHEET

## specifications

Modular furniture faceplates shall be available in 4 port densities, flat or sloped, furniture faceplates shall mount to standard furniture openings. Furniture faceplates will accept any Netkey keystone module.



### NetKey Modular Furniture Faceplates (for standard openings)

<b>4 module space (flat):</b>	NK4MFBL*
<b>4 module space (sloped):</b>	NK4MFABL*^

### Label options for four module space faceplates (adhesive)

<b>Laser/Inkjet:</b>	C252X030FJJ
<b>LS8E:</b>	C252X030FJC

### Accessories

<b>Modular furniture faceplate extender (For use with NK4MF**):</b>	MFFPEBL*
-----------------------------------------------------------------------------	----------

\*For other colors, replace suffix BL (Black) with IW (Off White), EI (Electric Ivory), WH (White), or IG (International Gray).

^NKHDMI\*\* and NKUSBAA\*\* can be inserted in the two center ports ONLY

## technical information

<b>Mounting options:</b>	Standard sizes have industry standard opening. 1.345" - 1.405" (H) x 2.67" - 2.75" (W), maximum panel thickness of 0.09"
--------------------------	-----------------------------------------------------------------------------------------------------------------------------

## key features and benefits

<b>Modular flat design:</b>	Accepts all Netkey modules. Compatible with the modular furniture faceplate extender
<b>Modular sloped design:</b>	Accepts all Netkey modules except for NKHDMI** and NKUSBAA** which can be inserted into the two center ports ONLY
<b>Bend radius control:</b>	Bend radius can be protected or improved by using the sloped design, or use faceplate extender with flat faceplate which will add 0.05" to the in-wall depth.
<b>Identification:</b>	Optional adhesive labels available for easy port identification

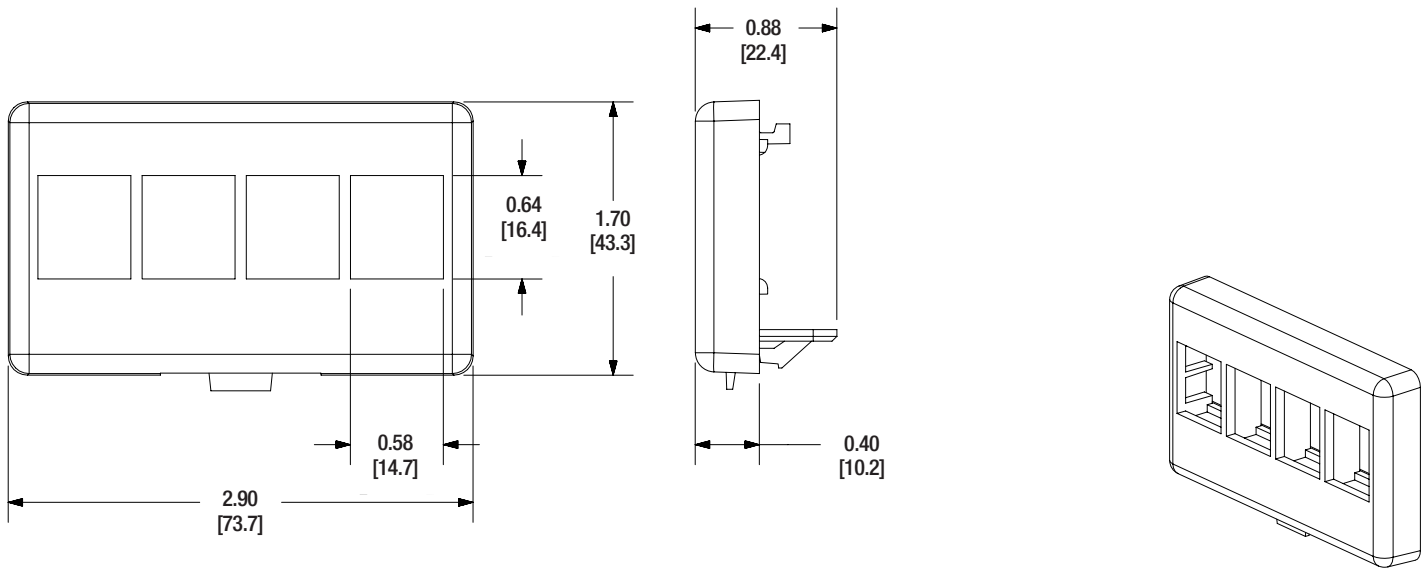
## applications

Furniture faceplates are used in work areas with modular furniture which have the standard furniture outlet opening. Angled design is recommended in areas where bend radius control is a concern.

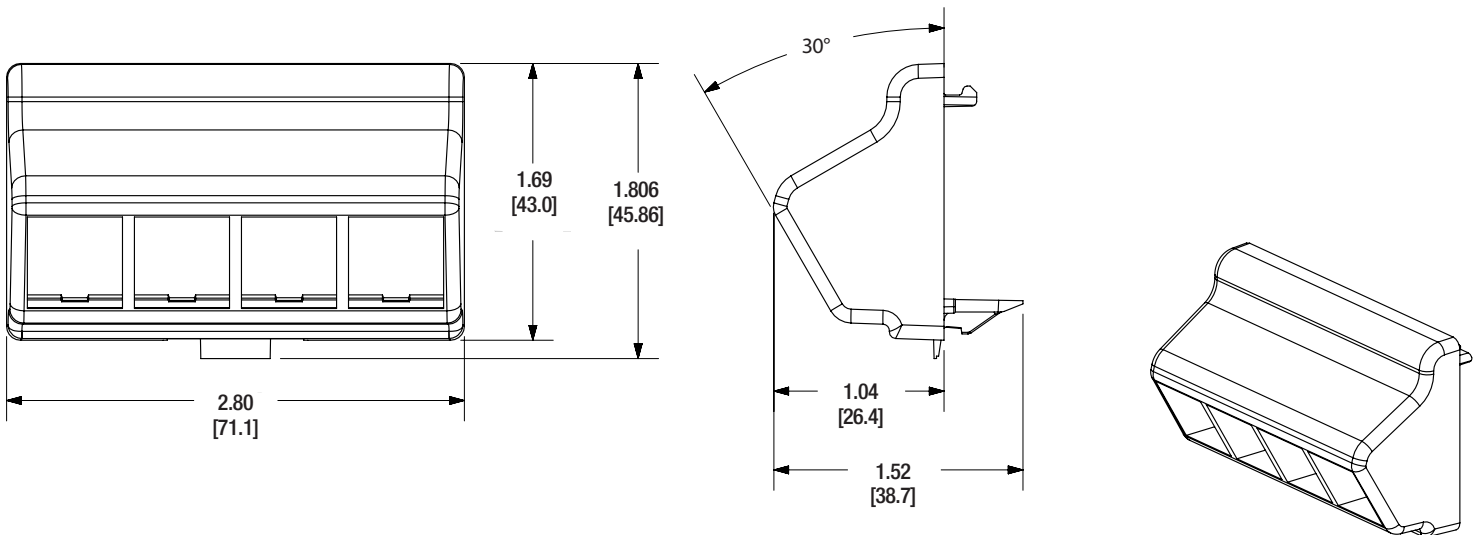
The angled design allows cable to properly route within the channel. Faceplate extender can also be used to increase the space behind the furniture faceplate by 0.5".

# Netkey Modular Furniture Faceplates (Standard openings)

## NK4MFBL



## NK4MFABL



Dimensions are in inches. [Dimensions in brackets are in millimeters]

### WORLDWIDE SUBSIDIARIES AND SALES OFFICES

PANDUIT US/CANADA  
Phone: 800.777.3300

PANDUIT EUROPE LTD.  
London, UK  
cs-emea@panduit.com  
Phone: 44.20.8601.7200

PANDUIT SINGAPORE PTE. LTD.  
Republic of Singapore  
cs-ap@panduit.com  
Phone: 65.6305.7575

PANDUIT JAPAN  
Tokyo, Japan  
cs-japan@panduit.com  
Phone: 81.3.6863.6000

PANDUIT LATIN AMERICA  
Guadalajara, Mexico  
cs-la@panduit.com  
Phone: 52.33.3777.6000

PANDUIT AUSTRALIA PTY. LTD.  
Victoria, Australia  
cs-aus@panduit.com  
Phone: 61.3.9794.9020

For a copy of Panduit product warranties, log on to [www.panduit.com/warranty](http://www.panduit.com/warranty)

For more information

Visit us at [www.panduit.com](http://www.panduit.com)

Contact Customer Service by email: [cs@panduit.com](mailto:cs@panduit.com)  
or by phone: 800.777.3300

**PANDUIT**<sup>®</sup>

© 2018 Panduit Corp.  
ALL RIGHTS RESERVED.  
NKDS60--WW-ENG  
3/2018