

4

3

2

1

THIS DRAWING IS UNPUBLISHED. RELEASED FOR PUBLICATION MAR.2003  
 © COPYRIGHT 2003 BY - ALL RIGHTS RESERVED.

LOC	DIST	REVISIONS			
P	LTR	DESCRIPTION	DATE	DWN	APVD
E	B	B2	REVISED PER ECO-11-005150	29MAR2011	RK HMR

1 FOR FURTHER INFORMATION SEE DATA SHEET FOR HS SERIES-ALUMINIUM HOUSED RESISTORS  
 2 FOR A SPECIFIC PN FOR A RESISTANCE VALUE AND TOLERANCE, PLEASE REFER TO DMF

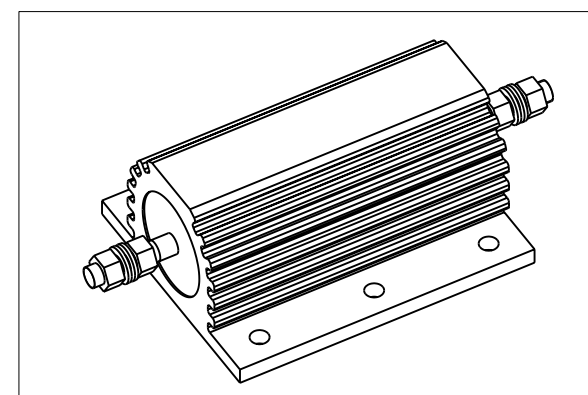
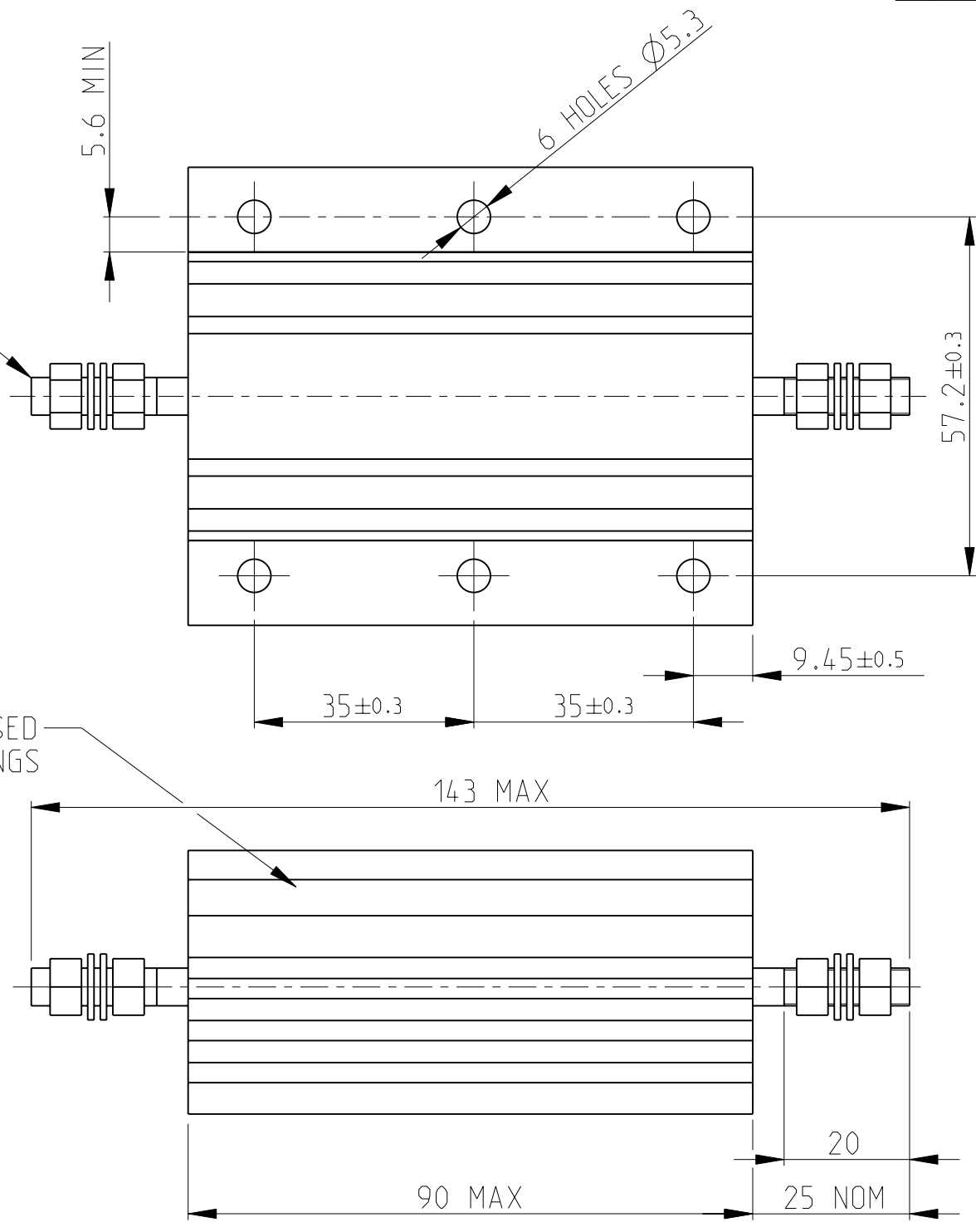
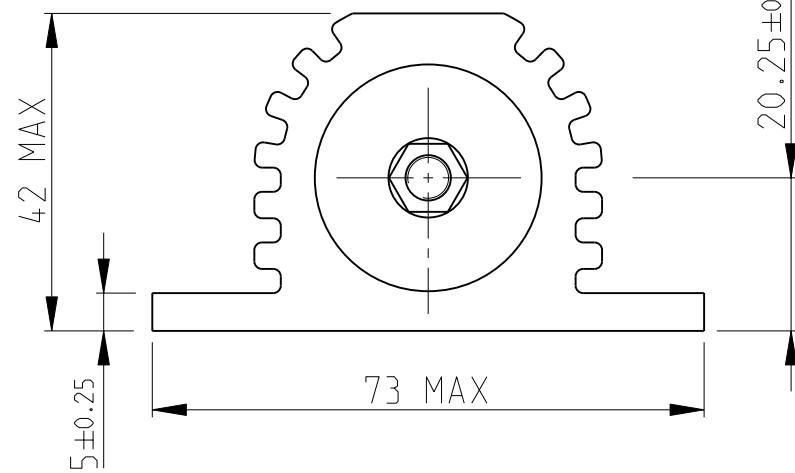
M6 ST/STEEL TERMINAL STUDS.  
 EACH SUPPLIED WITH:-  
 2 OFF M6 ST/STEEL FULL NUTS  
 2 OFF M6/STEEL PLAN WASHERS


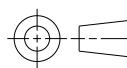
GOLD ANODISED ALUMINIUM HOUSINGS

HSC200 ALUMINIUM HOUSED POWER RESISTOR

RoHS Compliant

SCALE 1:2



THIS DRAWING IS A CONTROLLED DOCUMENT.		DWN L LUONG 10.MAR.03	 TE Connectivity	
DIMENSIONS: mm		CHK J CATCHPOLE 10.MAR.03		
		APVD J CATCHPOLE 10.MAR.03		
TOLERANCES UNLESS OTHERWISE SPECIFIED:		PRODUCT SPEC	NAME HSC200 ALUMINIUM HOUSED POWER RESISTOR	
0 PLC ±0.5		APPLICATION SPEC	SIZE A3 CAGE CODE 00779 DRAWING NO C-1630019 RESTRICTED TO	
1 PLC ±0.2		WEIGHT -	SCALE 1:1 SHEET 1 OF 1 REV B2	
2 PLC ±0.1		CUSTOMER DRAWING		
3 PLC ±				
4 PLC ±				
ANGLES ±°				
FINISH -				