

4

3

2

1

THIS DRAWING IS UNPUBLISHED.

RELEASED FOR PUBLICATION

MAR.2003

© COPYRIGHT 2003

BY -

ALL RIGHTS RESERVED.

LOC  
E

DIST  
B

REVISIONS

P	LTR	DESCRIPTION	DATE	DWN	APVD
B2		REVISED PER ECO-11-005150	29MAR2011	RK	HMR

1 FOR FURTHER INFORMATION SEE DATA SHEET FOR HS SERIES-ALUMINIUM HOUSED RESISTORS

2 FOR A SPECIFIC PN FOR A RESISTANCE VALUE AND TOLERANCE, PLEASE REFER TO DMF

M6 ST/STEEL TERMINAL STUDS.  
EACH SUPPLIED WITH:-  
2 OFF M6 ST/STEEL FULL NUTS  
2 OFF M6/STEEL PLAN WASHERS

5.6 MIN

6 HOLES Ø5.3

57.2±0.3

GOLD ANODISED ALUMINIUM HOUSINGS

35±0.3

35±0.3

9.45±0.5

143 MAX

42 MAX

20.25±0.5

73 MAX

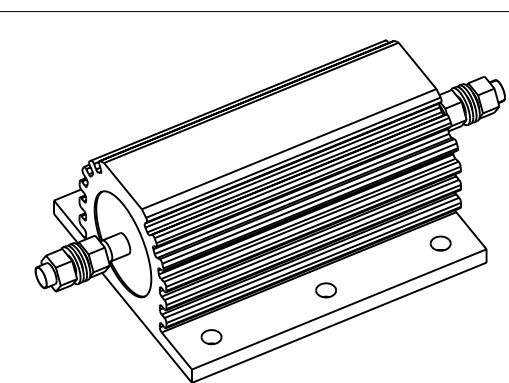
90 MAX

20

25 NOM

HSC200 ALUMINIUM HOUSED POWER RESISTOR

RoHS Compliant



SCALE 1:2

THIS DRAWING IS A CONTROLLED DOCUMENT.

DWN L LUONG 10.MAR.03

CHK J CATCHPOLE 10.MAR.03

APVD J CATCHPOLE 10.MAR.03

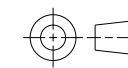
**STE** TE Connectivity

DIMENSIONS:

mm

TOLERANCES UNLESS OTHERWISE SPECIFIED:

0 PLC	±0.5
1 PLC	±0.2
2 PLC	±0.1
3 PLC	±
4 PLC	±
ANGLES	±5°
FINISH	-



MATERIAL -

PRODUCT SPEC -

APPLICATION SPEC -

WEIGHT -

NAME HSC200 ALUMINIUM HOUSED POWER RESISTOR

SIZE	CAGE CODE	DRAWING NO	RESTRICTED TO
A3	00779	©-1630019	-

CUSTOMER DRAWING SCALE 1:1 SHEET 1 OF 1 REV B2