

Power terminal block - AKG 4 GNYE-EX - 0421045

Please be informed that the data shown in this PDF Document is generated from our Online Catalog. Please find the complete data in the user's documentation. Our General Terms of Use for Downloads are valid (<http://download.phoenixcontact.com>)



Power terminal block, Connection method: Screw connection, Cross section: 0.5 mm² - 6 mm², AWG 20 - 10, Width: 7 mm, Height: 23.6 mm, Color: green-yellow, Mounting type: Neutral busbar


The illustration shows a combination of versions AKG 4 BK, AKG 4 BU and AKG 4 GNYE

Product description

Power terminal block, Connection method: Screw connection, Cross section: 0.5 mm² - 6 mm², AWG 20 - 10, Width: 7 mm, Height: 23.6 mm, Color: green-yellow, Mounting type: Neutral busbar



Key commercial data

Packing unit	1
Minimum order quantity	50
GTIN	 4 017918 001940
Weight per piece (including packing)	0.0 GRM
Weight per Piece (excluding packing)	5.4 GRM
Country of origin	GERMANY

Technical data

General

Color	green-yellow
-------	--------------

Dimensions

Length	23.7 mm
Width	7 mm

Technical data

Nominal current I _N	41 A
--------------------------------	------

Connection data

Conductor cross section solid min.	0.5 mm ²
Conductor cross section solid max.	6 mm ²
Conductor cross section stranded min.	0.5 mm ²

Power terminal block - AKG 4 GNYE-EX - 0421045

Technical data

Connection data

Conductor cross section stranded max.	4 mm ²
Conductor cross section AWG/kcmil min.	20
Conductor cross section AWG/kcmil max	10
Conductor cross section stranded, with ferrule without plastic sleeve min.	0.5 mm ²
Conductor cross section stranded, with ferrule without plastic sleeve max.	6 mm ²
Conductor cross section stranded, with ferrule with plastic sleeve min.	0.5 mm ²
Conductor cross section stranded, with ferrule with plastic sleeve max.	6 mm ²
2 conductors with same cross section, solid min.	0.5 mm ²
2 conductors with same cross section, solid max.	2.5 mm ²
2 conductors with same cross section, stranded min.	0.5 mm ²
2 conductors with same cross section, stranded max.	2.5 mm ²
2 conductors with same cross section, stranded, ferrules without plastic sleeve, min.	0.5 mm ²
2 conductors with same cross section, stranded, ferrules without plastic sleeve, max.	2.5 mm ²
2 conductors with same cross section, stranded, TWIN ferrules with plastic sleeve, min.	0.5 mm ²
2 conductors with same cross section, stranded, TWIN ferrules with plastic sleeve, max.	2.5 mm ²
Connection method	Screw connection
Stripping length	16 mm
Screw thread	M4
Tightening torque, min	1.5 Nm
Tightening torque max	1.8 Nm

Classifications

eclass

eClass 4.0	27141131
eClass 4.1	27141131
eClass 5.0	27141131
eClass 5.1	27141131
eClass 6.0	27141120

etim

ETIM 2.0	EC000897
ETIM 3.0	EC000897
ETIM 4.0	EC000897

unspsc

UNSPSC 6.01	30211811
-------------	----------

Power terminal block - AKG 4 GNYE-EX - 0421045

Classifications

unspsc

UNSPSC 7.0901	39121410
UNSPSC 11	39121410
UNSPSC 12.01	39121410
UNSPSC 13.2	39121410

Approvals

Certificates

Certification

GOST

Certification EX

ATEX

Certification submitted

Approval details

GOST

Accessories

Accessories

Assembly

Support - AB/SS - 0404428

Support made of insulating material, with retaining screw, for use with either 3 x 10 mm or 6 x 6 mm busbar, color: gray



Support - ABN 2/SS - 0404460

Double support, insulating material, optionally for use with 3 x 10 mm or 6 x 6 mm busbar, height in closed state: 39 mm



Power terminal block - AKG 4 GNYE-EX - 0421045

Accessories

Support - UAB 1 - 3032431

Support, Width: 2 mm, Color: blue



Support - AB2/SS - 0404431

Double support, insulating material, optionally for use with 3 mm x 10 mm or 6 mm x 6 mm busbar, height: 48 mm



Neutral busbar - NLS-CU 3/10 SN 1000MM - 0402174

PEN conductor busbar, 3mm x 10 mm, length: 1000 mm



Marking

Zack marker strip - ZB 5 :UNBEDRUCKT - 1050004

Zack marker strip, Strip, white, Unlabeled, Can be labeled with: Plotter, Mounting type: Snap into tall marker groove, For term



Tools

Screwdriver - SZS 0,6X3,5 - 1205053

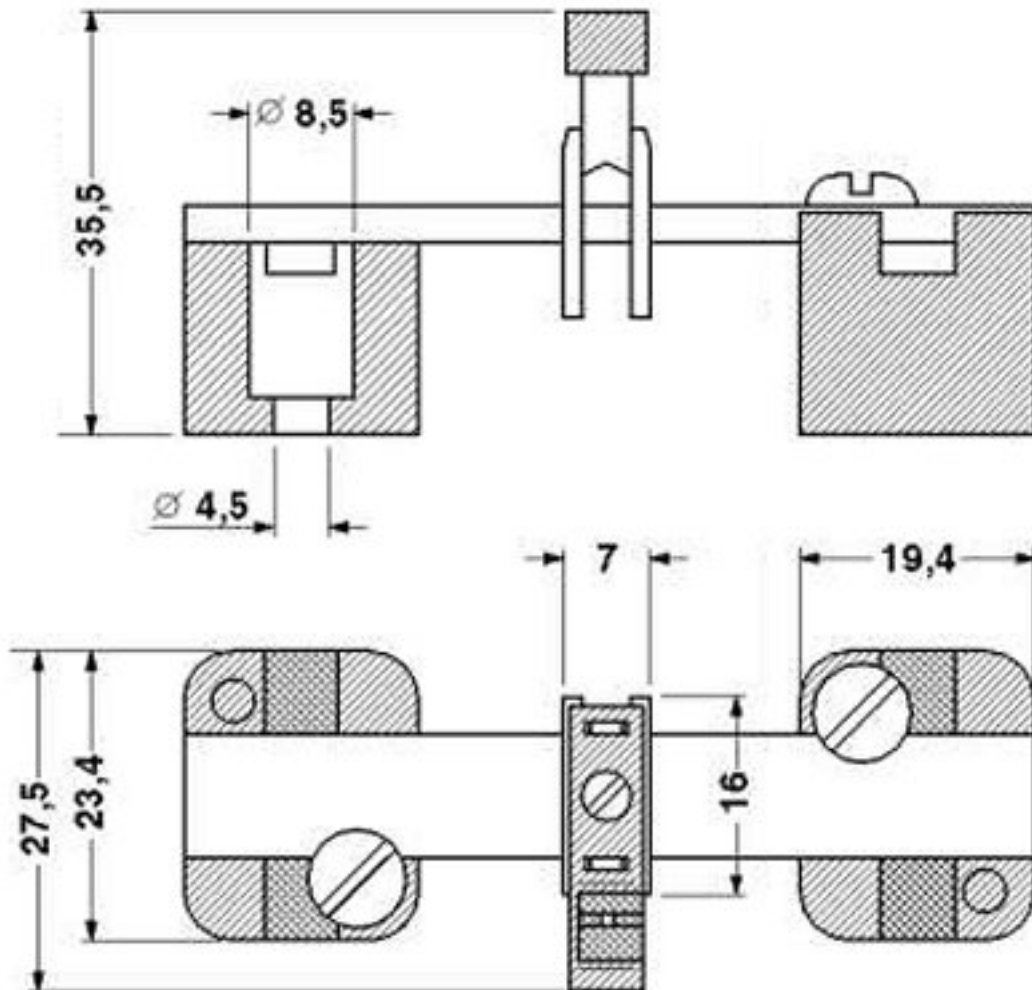
Actuation tool, for ST terminal blocks, insulated, also suitable for use as a bladed screwdriver, size: 0.6 x 3.5 x 100 mm, 2-co



Drawings

Power terminal block - AKG 4 GNYE-EX - 0421045

Dimensioned drawing



Power terminal block - AKG 4 GNYE-EX - 0421045

Dimensioned drawing

