

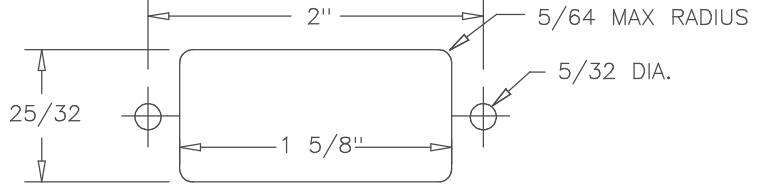
**SPECIFICATIONS**

RESISTANCE -----1K,5K,10K,20K ±15%  
 LINEARITY (INDEPENDENT)-----±3%  
 POWER RATING-----0.1 WATTS  
 ELECTRICAL ANGLE-----30°±5°  
 MECHANICAL ANGLE-----±15° ~ ±19°  
 CENTER RETURN ACCURACY-----50% ±3%  
 RESOLUTION-----ESSENTIALLY INFINITE  
 MAX. WIPER OUTPUT-----1 mA RECOMMENDED, 5mA MAX.  
 OUTPUT SMOOTHNESS-----BELOW 0.2% AGAINST INPUT VOLTAGE  
 CONTACT RESISTANCE VARIATION-----BELOW 5% C.R.V.  
 INSULATION RESISTANCE-----100MEG OHMS @ 500VDC MIN.  
 DIELECTRIC STRENGTH-----1 MINUTE AT 500 VAC  
 STARTING TORQUE-----.15 OZ. IN. ~ .18 OZ. IN.  
 WIPER CURRENT-----BELOW 10 uA  
 WEIGHT-----APPROX. 0.7 OZ.  
 OPERATING TEMPERATURE----- -20°C TO +65°C  
 STOPPER STRENGTH-----OVER 0.03 OZ. IN.  
 VIBRATION-----10 - 55 Hz, 10G.  
 SHOCK-----30G.  
 LIFE EXPECTANCY-----APPROX. 2,000,000 OPERATIONS.

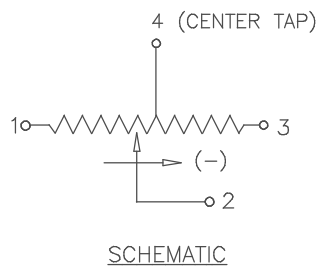
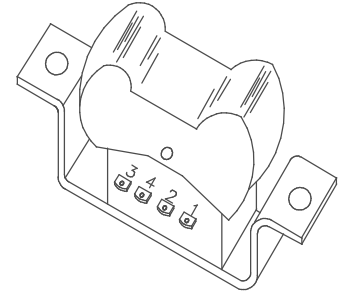
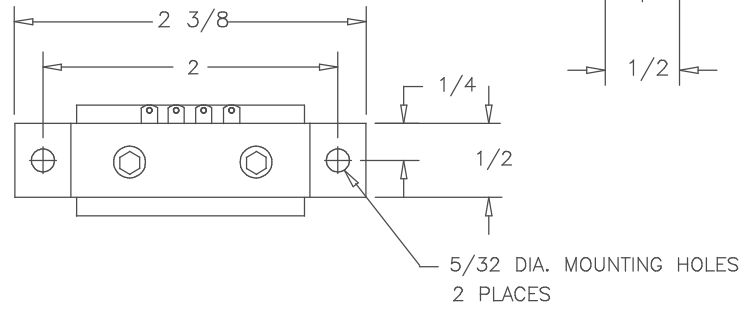
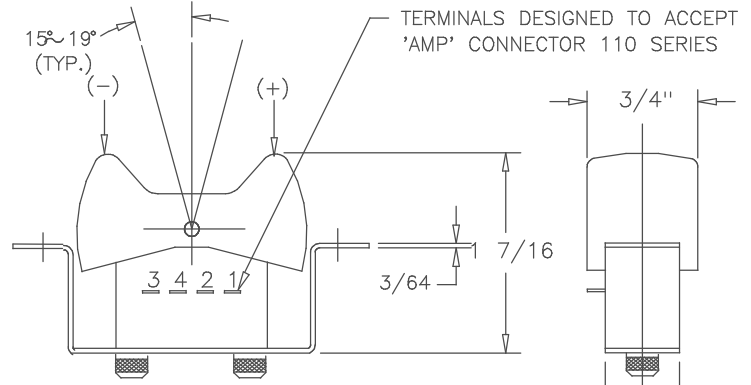
**MATERIALS**

HOUSING-----HIGH TEMP. THERMO PLASTIC  
 TERMINALS-----GOLD PLATED BRASS  
 RESISTANCE ELEMENT-----CONDUCTIVE PLASTIC

**SUGGESTED PANEL LAYOUT**



REV.	BY	DATE	P/N
I	AT	11-13-02	J3R
			ADDED J3R-IT-1K



20K	YES	TO CENTER	J3R-IT-20K
1K	YES	TO CENTER	J3R-IT-1K
1K	NO	TO TERMINAL #1	J3R-E-1K
10K	NO	TO CENTER	J3R-I-10K
5K	NO	TO CENTER	J3R-I-5K
10K	NO	TO TERMINAL #1	J3R-E-10K
5K	NO	TO TERMINAL #1	J3R-E-5K
5K	YES	TO CENTER	J3R-IT-5K
10K	YES	TO CENTER	J3R-IT-10K
RESISTANCE	CENTER TAP	POSITION SPRING RETURNS ROCKER	MODEL

**TOLERANCES**  
 XX = +/- .010" FRACT. = +/- 1/64"  
 XXX = +/- .005" ANGLES = +/- 1/2"  
 ALL SPECIFICATIONS SUBJECT TO CHANGE WITHOUT NOTICE.

SCALE	DATE: 3-6-96
	BY
	APPR'V'D BT
CODE IDENT:	19477



**ETI SYSTEMS**  
 CARLSBAD CALIFORNIA

**TITLE**  
 ROCKER POT

**PART NO.**  
 J3R