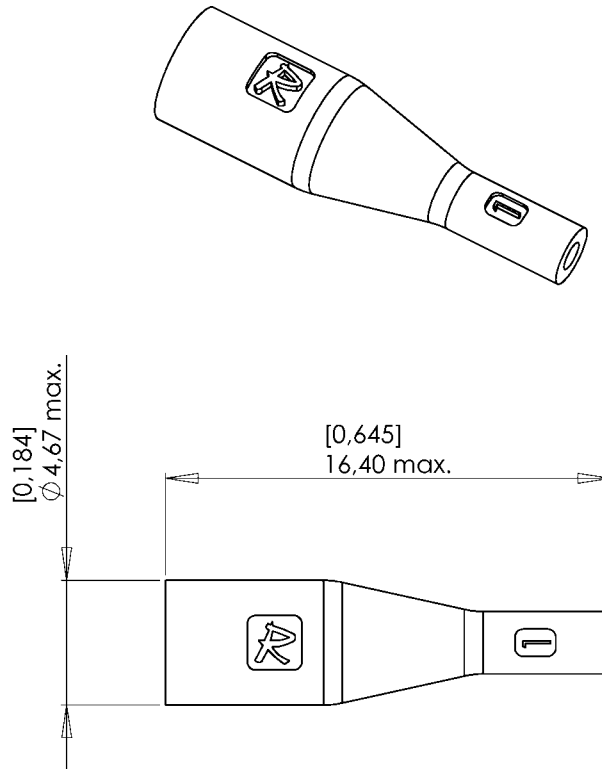


BOOT FOR Ø 0.9 MM CABLE

Packaging
100Series
LCIssue
08 07 02Page
1 / 1

Original dimensions in mm [inch]

GENERAL

- Compatible with LC connectors
- Suitable for use with cable size Ø 0.9 mm
- Compatible with Bellcore GR 326 specification (V0, LOI 28 % mini.)
- Color : **Black**