

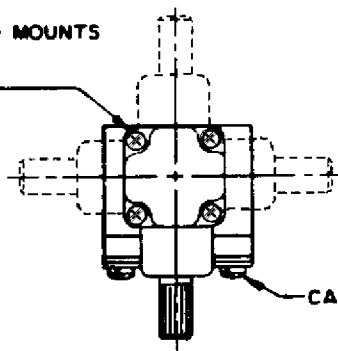
MICRO SWITCH
a Honeywell Division

SWITCH - ENCLOSED

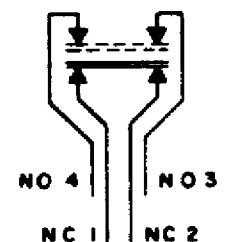
CATALOG LISTING
1LS301-L

FED. MFG. CODE 91929

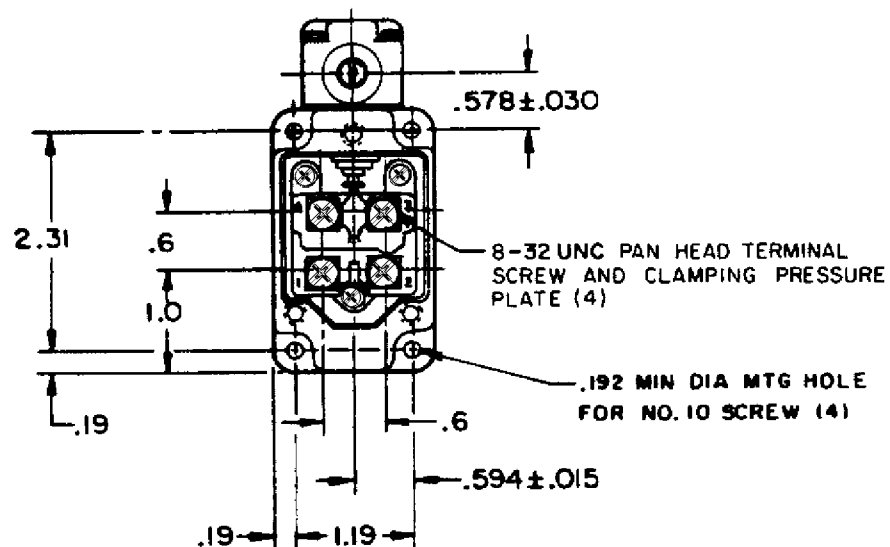
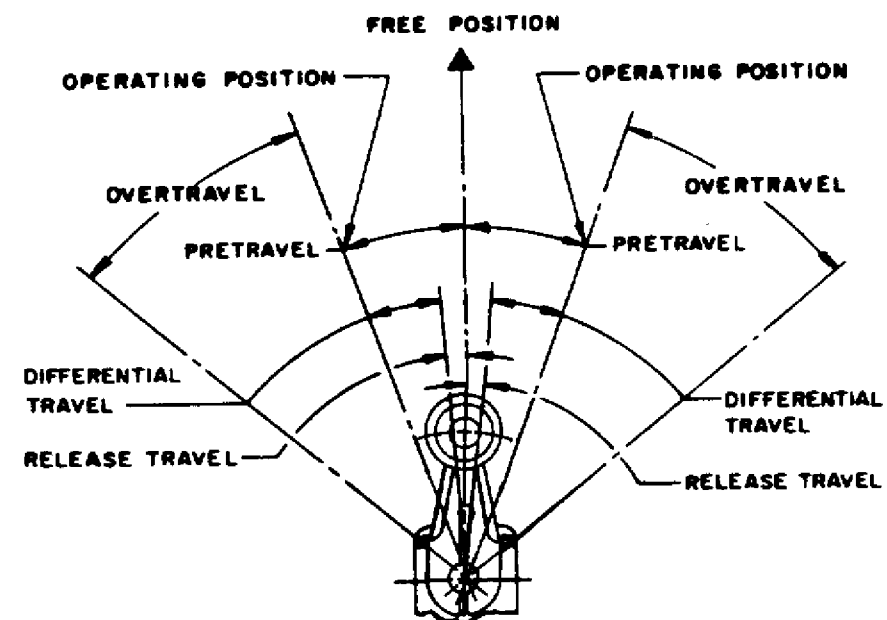
OPERATING HEAD MOUNTS
IN ANY OF FOUR
POSITIONS



CAPTIVE COVER SCREW (3)

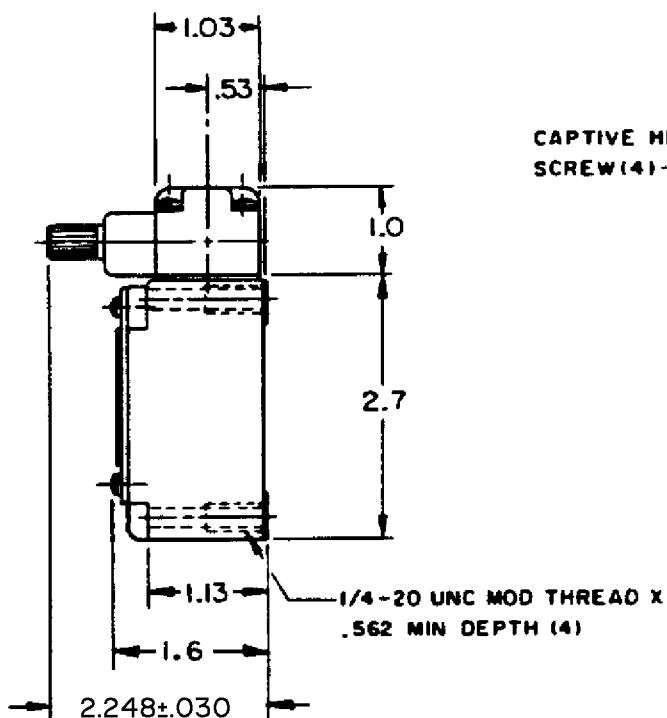


CIRCUIT DIAGRAM



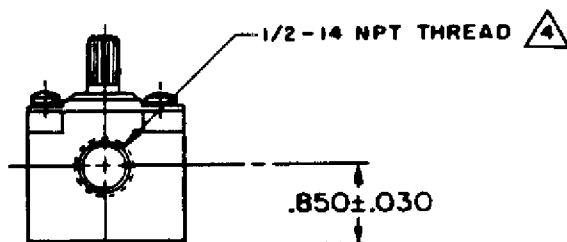
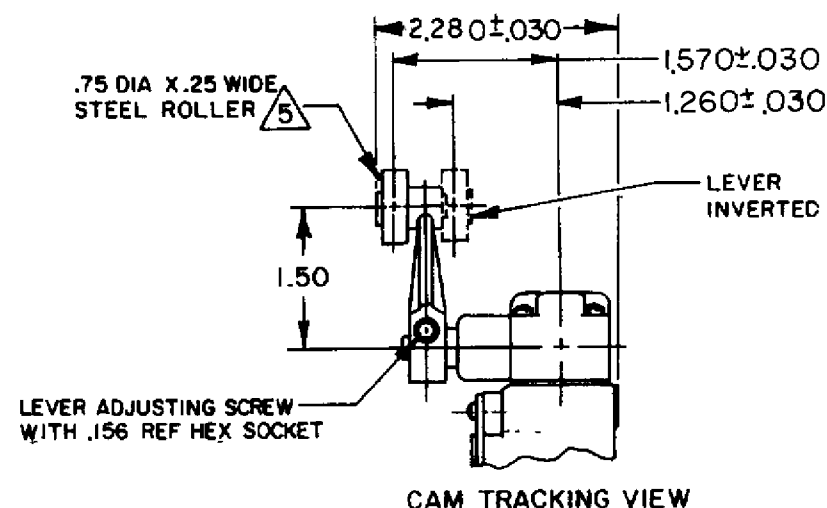
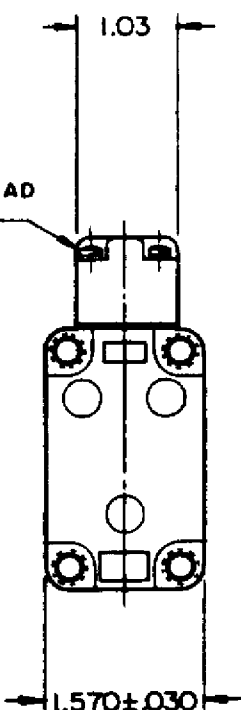
8-32 UNC PAN HEAD TERMINAL
SCREW AND CLAMPING PRESSURE
PLATE (4)

.192 MIN DIA MTG HOLE
FOR NO. 10 SCREW (4)



CAPTIVE HEAD
SCREW (4)

1/4-20 UNC MOD THREAD X
.562 MIN DEPTH (4)



CATALOG LISTING
1LS301-L
PAGE 1 OF 1
REPLACES
PR-18636
ISSUE
6

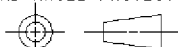
REVISIONS

A	CO-76997	GJW	7 APR 95
B	CO-95463-B	DLT	7 SEP 99
C	ECO-200178	CSL	5 APR 00

CHECK
5 MAY 95
JAF
CHECK
7 APR 95
GJW

THIS DRAWING COVERS A PROPRIETARY ITEM AND IS THE PROPERTY OF MICRO SWITCH, A DIVISION OF HONEYWELL. THIS DRAWING IS NOT TO BE COPIED OR USED WITHOUT THE APPROVAL OF MICRO SWITCH

THIRD ANGLE PROJECTION



SCALE 1/2 TO 1

DO NOT SCALE PRINT

CHARACTERISTICS	ELECTRICAL DATA
OPERATING TORQUE-----4.5 IN-LB MAX	CONTACT ARRANGEMENT (SEE CIRCUIT DIAGRAM)
FULL OVERTRAVEL TORQUE-----6 IN-LB MAX	L126 10A 125, 250 OR 480 VAC
RELEASE TORQUE-----.75 IN-LB	1/3HP 125 VAC, 3/4HP 250 VAC
PRETRAVEL-----20° MAX	0.8A 125 VDC, 0.4A 250 VDC
DIFFERENTIAL TRAVEL-----12° MAX	
OVERTRAVEL-----30° MIN	
RELEASE TRAVEL-----5° MIN	
SWITCH-BASIC REPLACEMENT-----2MN301-L	

CHARACTERISTICS	ELECTRICAL DATA
OPERATING TORQUE-----4.5 IN-LB MAX	CONTACT ARRANGEMENT (SEE CIRCUIT DIAGRAM)
FULL OVERTRAVEL TORQUE-----6 IN-LB MAX	L126 10A 125, 250 OR 480 VAC
RELEASE TORQUE-----.75 IN-LB	1/3HP 125 VAC, 3/4HP 250 VAC
PRETRAVEL-----20° MAX	0.8A 125 VDC, 0.4A 250 VDC
DIFFERENTIAL TRAVEL-----12° MAX	
OVERTRAVEL-----30° MIN	
RELEASE TRAVEL-----5° MIN	
SWITCH-BASIC REPLACEMENT-----2MN301-L	

UNLESS OTHERWISE SPECIFIED TOLERANCES ARE	
ONE PLACE (.0)	±.030
TWO PLACE (.00)	±.015
THREE PLACE (.000)	±.005
ANGLES	±
WEIGHT	



NOTES

- SWITCH IS ASSEMBLED FOR ACTUATION IN BOTH DIRECTIONS BUT MAY BE ADJUSTED TO ACTUATE IN EITHER THE CLOCKWISE DIRECTION ONLY OR THE COUNTERCLOCKWISE DIRECTION ONLY
- TO CONVERT SWITCH FOR ACTUATION IN EITHER THE CLOCKWISE OR COUNTERCLOCKWISE DIRECTION ONLY, REMOVE ACTUATOR HEAD AND ROTATE THE NOTCHED PLUNGER 90° TO THE RIGHT FOR CLOCKWISE ACTUATION OR 90° TO THE LEFT FOR COUNTERCLOCKWISE ACTUATION



- SEAL TO BE FURNISHED BY USER
- ROLLER LEVER MAY BE LOCKED IN ANY POSITION THRU 360°
- LEVER FURNISHED UNASSEMBLED IN UNIT PACKING BOX

FORMTEK

DRAWN

GJW