

# Introducing Mezalok Connector

*(High Reliability Mezzanine  
Connector)*

## KEY FEATURES

60 and 114 positions

Mini-Box contact system provides 4 points of contact for ultra reliability

LCP plastic housings offer superior thermal stability and are low-outgassing

Compliant BGA board attach supports standard surface mount processing and excellent thermal stability

114 position footprint compatible to XMC footprint and all dimensional constraints

## DESCRIPTION

Rugged surface mount mezzanine connector incorporating “super-redundant” Mini-Box contact system for separable interface.

Designed for 10mm and 12mm stack heights in both 60 and 114 positions.

## APPLICATIONS

Stacking or mezzanine applications

114 position is designed to support VITA 61 XMC architecture as rugged alternative to VITA 42 XMC

60 position designed for custom architecture stacking applications

## ELECTRICAL

Stacking or mezzanine applications

114 position is designed to support VITA 61 XMC architecture as rugged alternative to VITA 42 XMC

60 position designed for custom architecture stacking applications

## MECHANICAL

500 mating cycles durability

Mating force: 0.30 lb. max. times number of contacts

-65°C to +125°C operating temperature

Shock and vibration per VITA 47 requirements

## MATERIALS

Pin Assembly: LCP plastic housings, white in color

Socket Assembly: LCP plastic housings, white in color

Contacts: High Performance Copper Alloy, 50μ” Au in mating interface (Sn/Pb and SAC305 solder balls are available)

## STANDARDS & SPECS

114 position conforms to requirement of VITA 61 (VITA 42 Alternate)

VITA 42 and VITA 61 are not intermateable, but are footprint and XMC architecture compatible

## APPLICATION TOOLING

Product is installed via standard BGA surface mount processes.

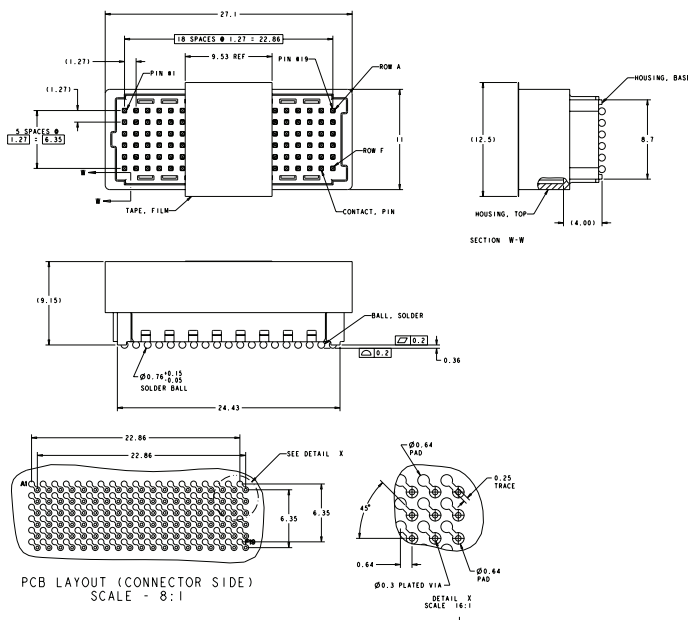
## ORDERING INFORMATION



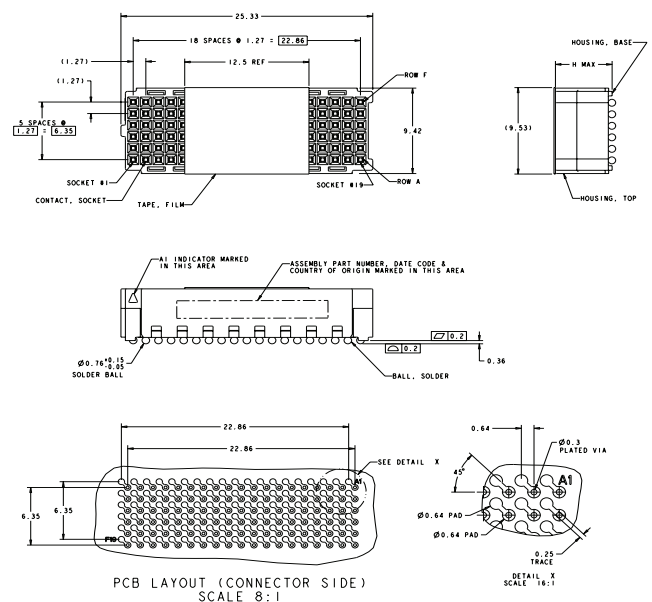
4 pin contact

Part Number	Description
<b>114 Position:</b>	
2102060-1	Assembly, pin housing, tin-lead, 1.27 $\mu$ m gold
2102060-2	Assembly, pin housing, lead-free, 1.27 $\mu$ m gold
2102060-3	Assembly, pin housing, tin-lead, 0.76 $\mu$ m gold
2102060-4	Assembly, pin housing, lead-free, 0.76 $\mu$ m gold
2102061-1	Assembly, socket housing, tin-lead, 10 mm, 1.27 $\mu$ m gold
2102061-2	Assembly, socket housing, lead-free, 10 mm, 1.27 $\mu$ m gold
2102061-3	Assembly, socket housing, tin-lead, 12 mm, 1.27 $\mu$ m gold
2102061-4	Assembly, socket housing, lead-free, 12 mm, 1.27 $\mu$ m gold
2102061-5	Assembly, socket housing, tin-lead, 10 mm, 0.76 $\mu$ m gold
2102061-6	Assembly, socket housing, lead-free, 10 mm, 0.76 $\mu$ m gold
2102061-7	Assembly, socket housing, tin-lead, 12 mm, 0.76 $\mu$ m gold
2102061-8	Assembly, socket housing, lead-free, 12 mm, 0.76 $\mu$ m gold
2102061-9	Assembly, socket housing, tin-lead, 18 mm, 1.27 $\mu$ m gold
1-2102061-0	Assembly, socket housing, lead-free, 18 mm, 1.27 $\mu$ m gold
1-2102061-1	Assembly, socket housing, tin-lead, 18 mm, 0.76 $\mu$ m gold
1-2102061-2	Assembly, socket housing, lead-free, 18 mm, 0.76 $\mu$ m gold
<b>60 Position:</b>	
2102079-1	Assembly, pin housing, tin-lead, 1.27 $\mu$ m gold
2102079-2	Assembly, pin housing, lead-free, 1.27 $\mu$ m gold
2102079-3	Assembly, pin housing, tin-lead, 0.76 $\mu$ m gold
2102079-4	Assembly, pin housing, lead-free, 0.76 $\mu$ m gold
2102080-1	Assembly, socket housing, tin-lead, 10 mm, 1.27 $\mu$ m gold
2102080-2	Assembly, socket housing, lead-free, 10 mm, 1.27 $\mu$ m gold
2102080-3	Assembly, socket housing, tin-lead, 12 mm, 1.27 $\mu$ m gold
2102080-4	Assembly, socket housing, tin-lead, 12 mm, 1.27 $\mu$ m gold
2102080-5	Assembly, socket housing, tin-lead, 10 mm, 0.76 $\mu$ m gold
2102080-6	Assembly, socket housing, lead-free, 10 mm, 0.76 $\mu$ m gold
2102080-7	Assembly, socket housing, tin-lead, 12 mm, 0.76 $\mu$ m gold
2102080-8	Assembly, socket housing, lead-free, 12 mm, 0.76 $\mu$ m gold

### Pin — 2102060



### Socket — 2102061



## FOR MORE INFORMATION

### Technical Support

Internet: [www.tycoelectronics.com/ADM](http://www.tycoelectronics.com/ADM)  
E-mail: [product.info@tycoelectronics.com](mailto:product.info@tycoelectronics.com)

USA: +1 (800) 522-6752  
Canada: +1 (905) 470-4425  
Mexico: +52 (0) 55-1106-0814  
C. America: +52 (0) 55-1106-0814  
South America: +55 (0) 11-2103-6000  
Germany: +49 (0) 6251-133-1999  
Great Britain: +44 (0) 8706-080208  
France: +33 (0) 1-3420-8686  
Netherlands: +31 (0) 73-6246-999  
China: +86 (0) 400-820-6015

**Tyco Electronics Corporation**  
Harrisburg, PA

**[tycoelectronics.com](http://tycoelectronics.com)**

©2010 Tyco Electronics Corporation

2-1773457-3 — ADM — FP — 2.5M — 10/10  
TE (logo) and Tyco Electronics are trademarks.

 **Tyco Electronics**  
Our commitment. Your advantage.