

PART NAME: BALL KNOB    SCALE: 1:1    DATE: 9/28/99    DR. BY TL

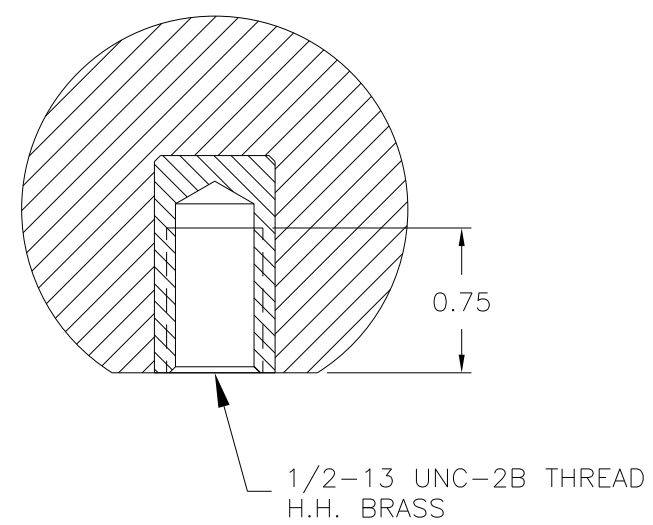
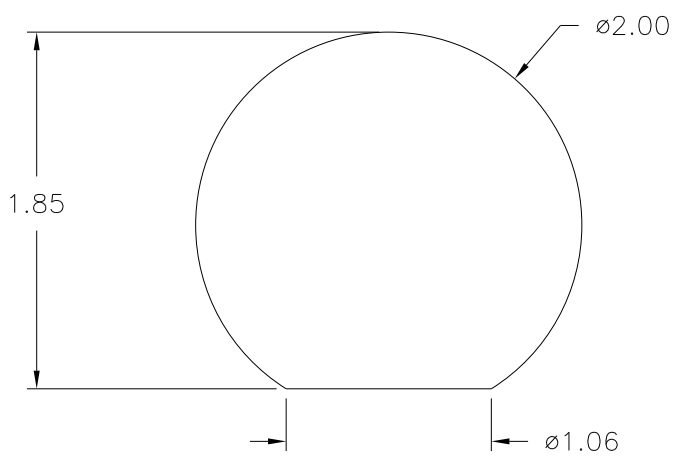
DAVIES MOLDING COMPANY  
CAROL STREAM, ILLINOIS 60188

P/N 0155-C

THIS DRAWING IS THE PROPERTY OF DAVIES MOLDING COMPANY, IS SUBMITTED SOLELY AS A DESIGN OR ENGINEERING PROJECT.  
WE ACCEPT NO RESPONSIBILITY WHATSOEVER FOR THE PRACTICAL APPLICATION OF THE PIECES MADE TO THIS DESIGN.

(A)

NOTE :  
(1) PARTING LINE TO BE BUFFED AND POLISHED.



(A)

MATERIAL: PHENOLIC  
COLOR: BLACK

TOLERANCES: UNLESS OTHERWISE SPECIFIED	DO NOT SCALE DRAWING			
DECIMALS: X.XXX $\pm$ .005 X.XX $\pm$ .015	MM: X.XX $\pm$ 0.15MM X.X $\pm$ 0.4MM	A	REMOVED TOOLBOX, "2311 PLENCO" ON MATERIAL CALL-OUT, & INSERT P/N	JAM 3/20/09
FRACTIONS $\pm$ 1/64	ANG. $\pm$ 1°	CHANGES		