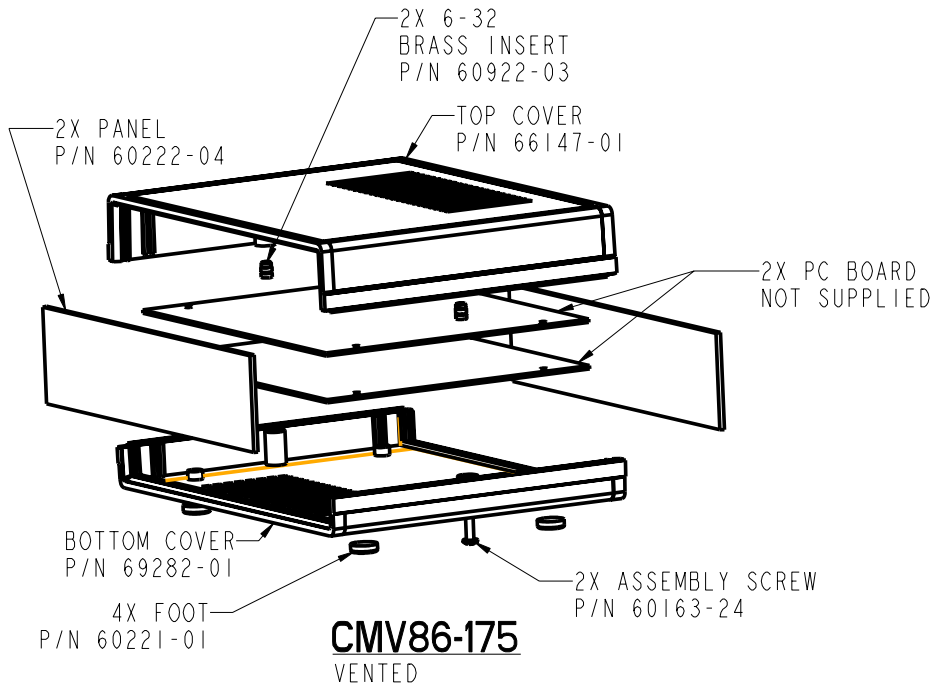
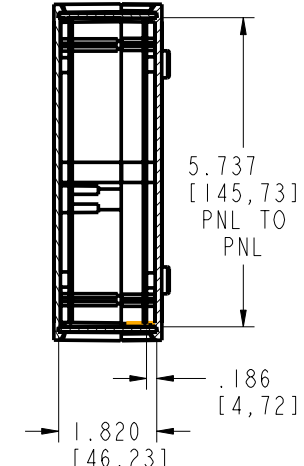
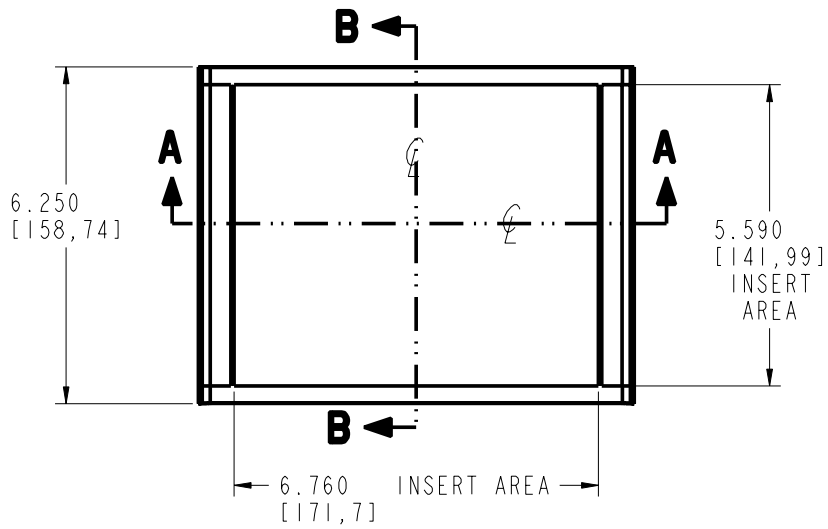


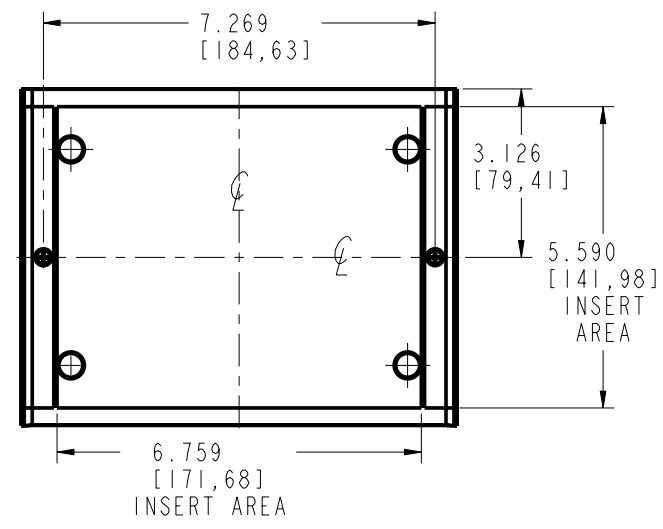
CM86-175
STANDARD



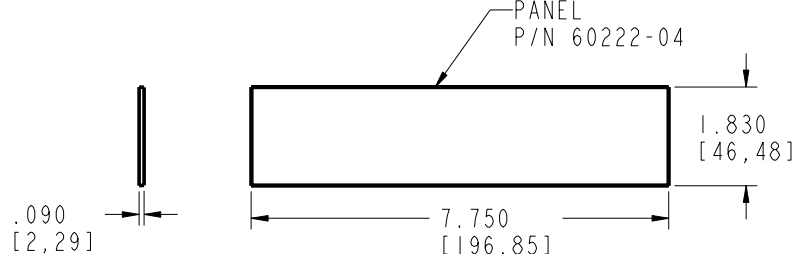
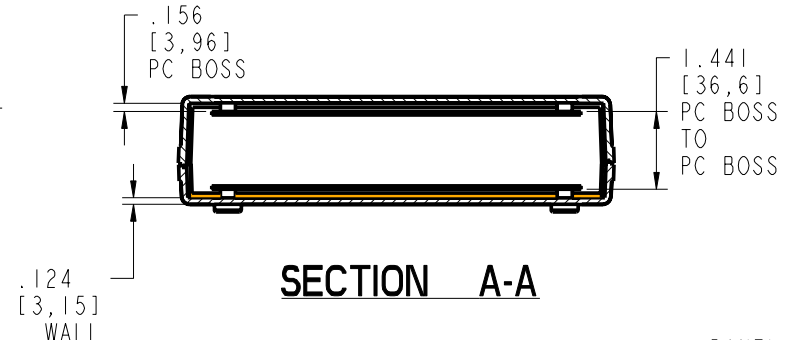
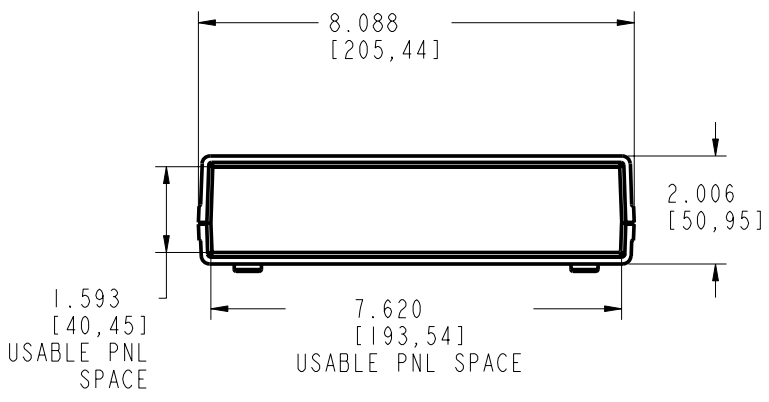
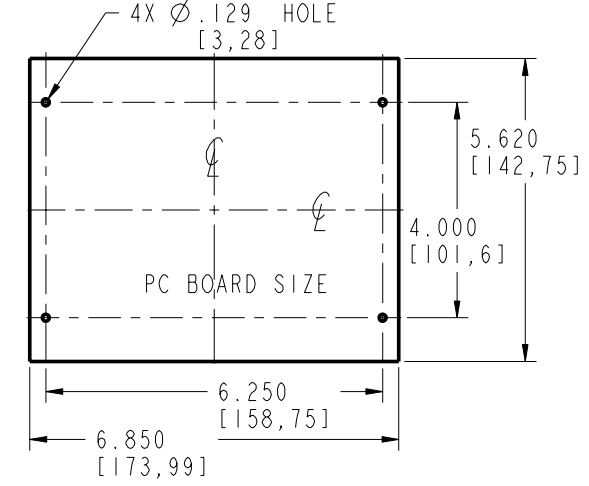
CMV86-175
VENTED



SECTION B-B



SECTION A-A



PACINTEC[®]
1-610-361-4231

CM86-175 SERIES

VISIT **PACINTEC**[®]
ON THE WORLD WIDE WEB
www.pactecenclosures.com

PCB MTG. SCREWS:
PHP #4 TYPE B X 1/4 LG.

COLOR / MATERIAL CODE		
COLOR	94HB	94VO
BLACK	000	028
P.C. BONE	039	060

INSERT AREAS ARE SECTIONS IN OUR TOOLS THAT CAN BE REMOVED AND REPLACED WITH CUSTOMER SPECIFIC DETAILS

DRAWING NUMBER	REV
60226	E