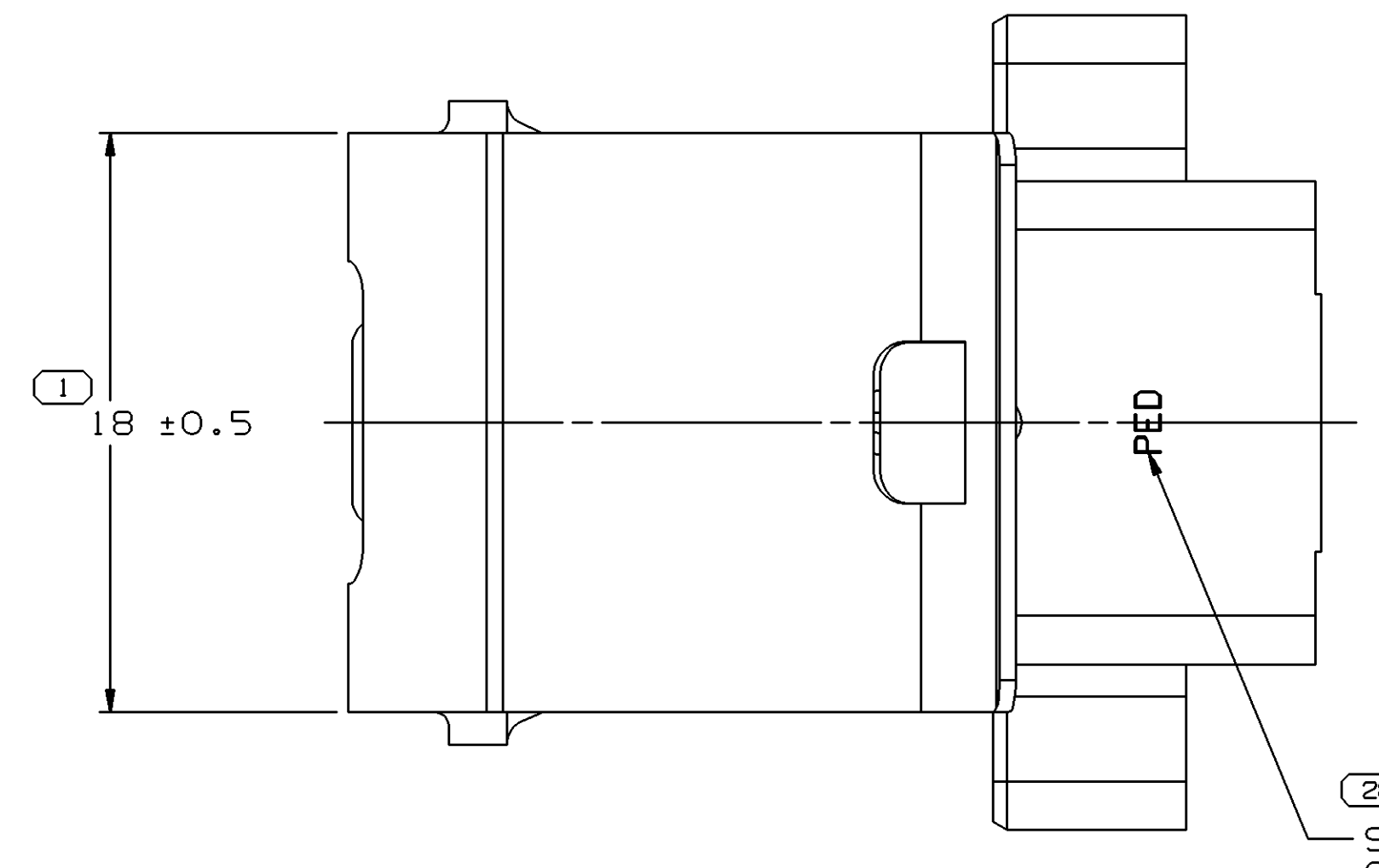
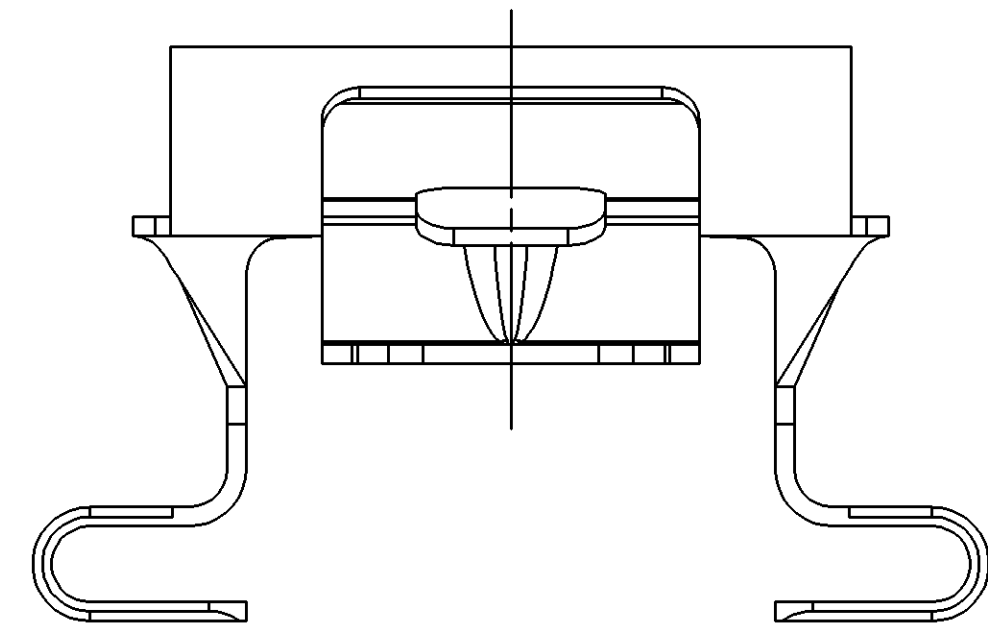
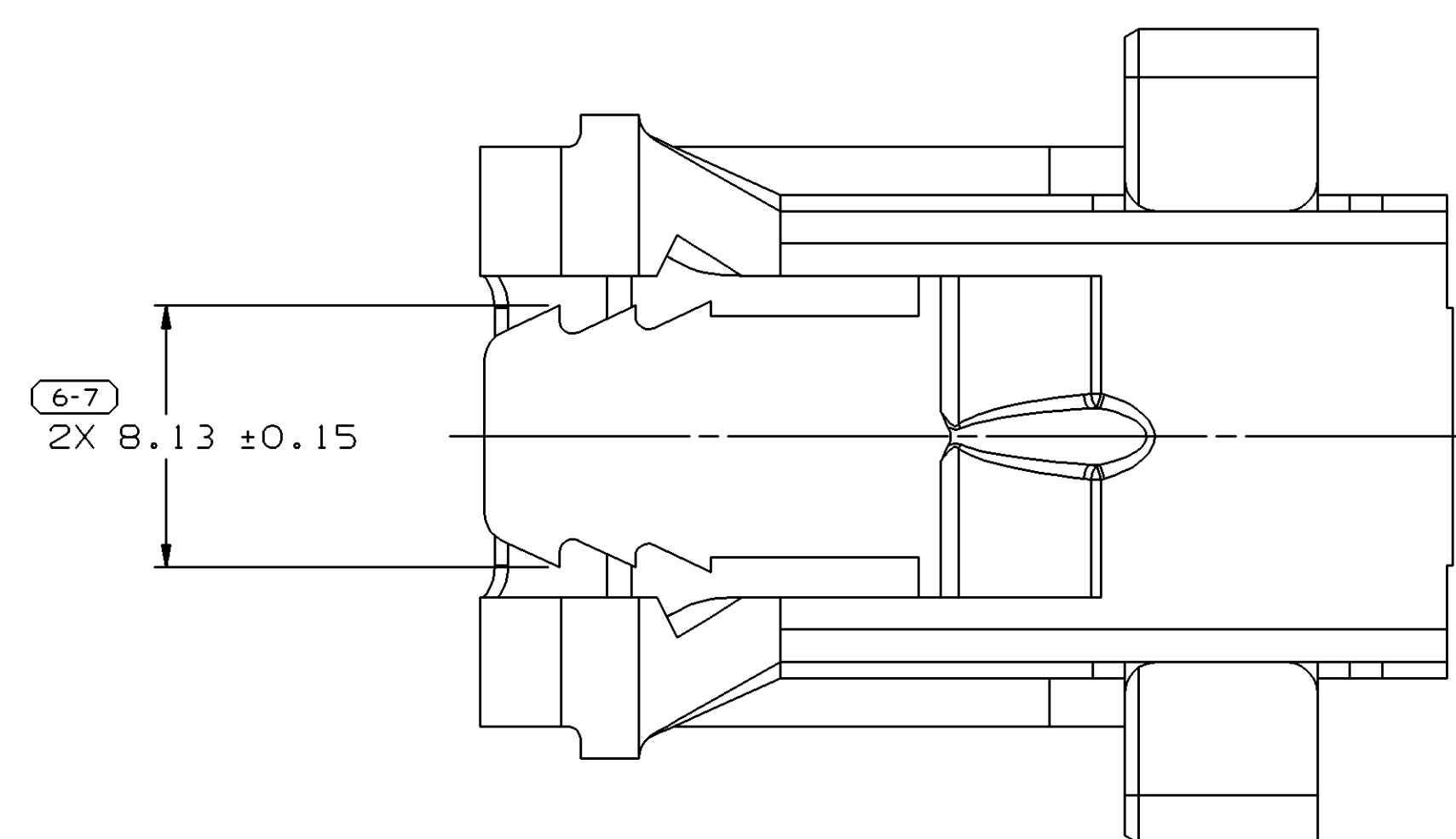
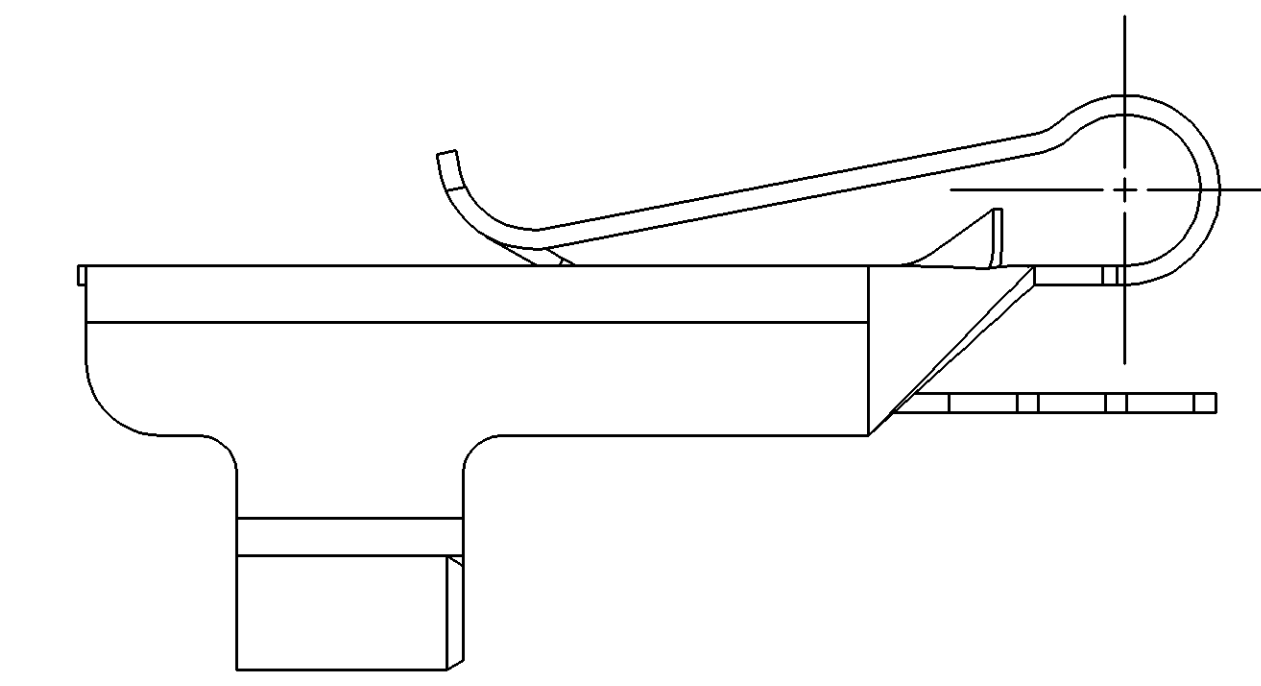
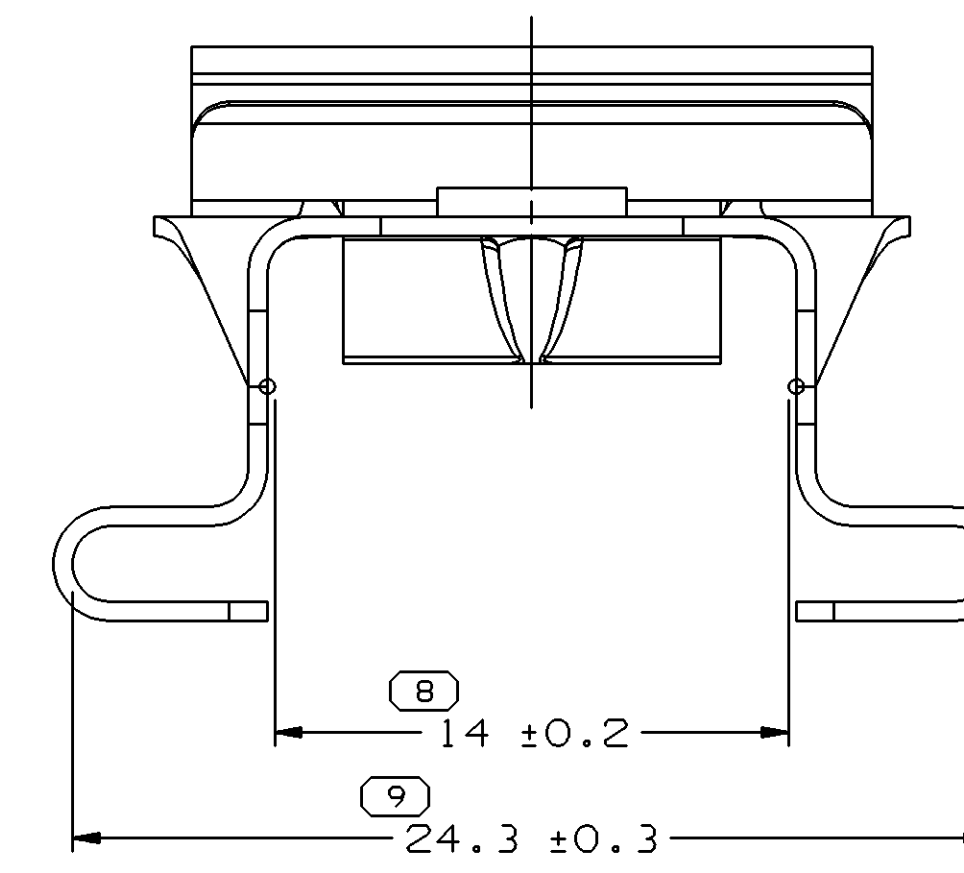
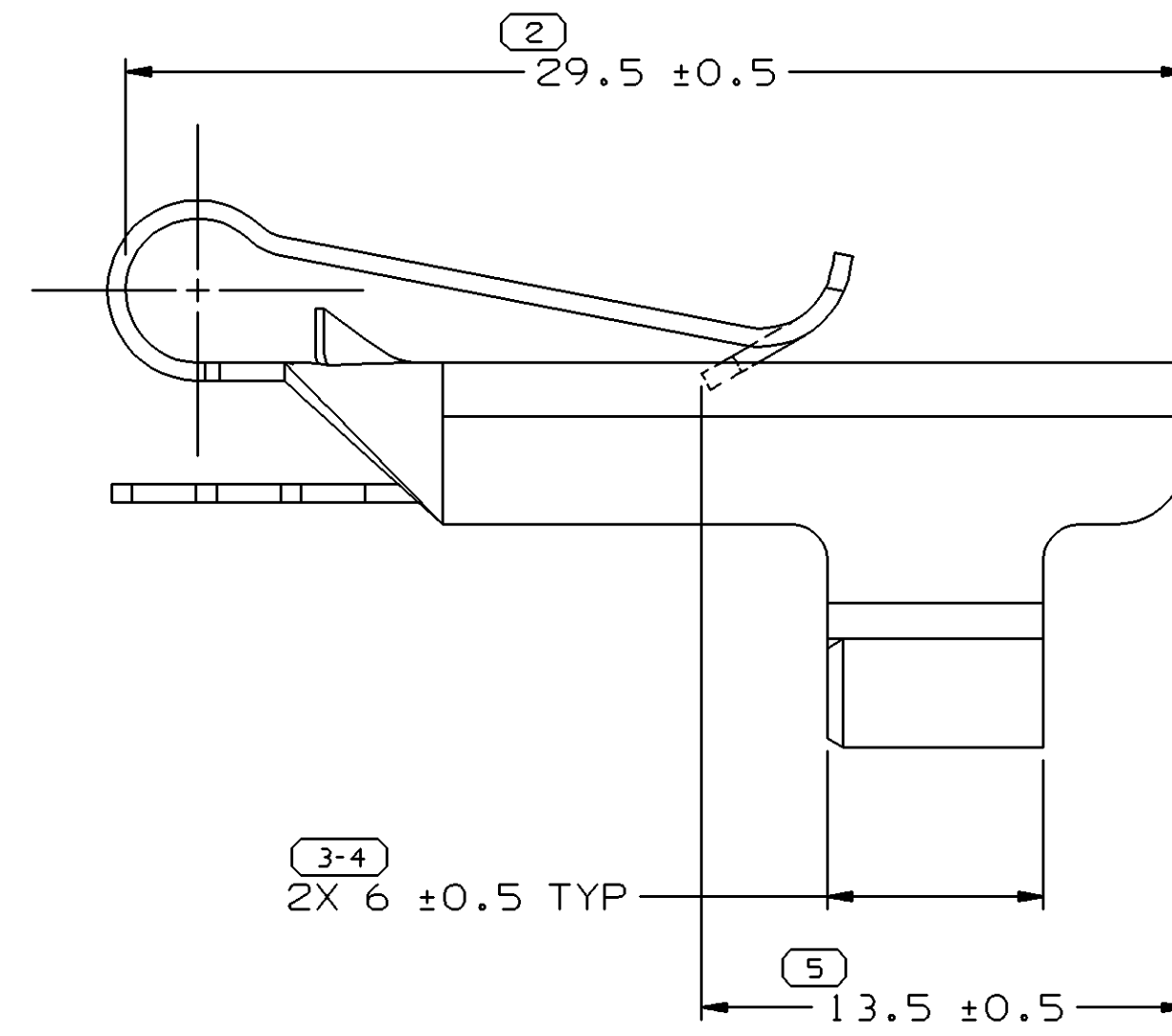


MATING DETAIL
SCALE 2:1

INSPECTION SYMBOLS SHOWN IN THIS VIEW ARE FOR REFERENCE ONLY



STAMP "PED" IN THIS AREA WITH (0.8) HIGH CHARACTERS. CHARACTERS MUST BE POSITIONED IN DIRECTION SHOWN, OR AT 180° TO DIRECTION SHOWN.



NOTES

- UNLESS OTHERWISE SPECIFIED AND/OR INDICATED:
DIMENSIONS ARE TO FACE OF VIEW SHOWN AND AUTOMATICALLY ROUNDED BY COMPUTER FOR INSPECTION (SEE MATH MODEL FOR PRECISE DIMENSIONS). FOR ALL OTHER DIMENSIONS NOT SHOWN BUT REQUIRED FOR TOOL BUILD, SEE MATH MODEL FOR PRECISE TOOL PATH DATA.

- REFERENCE MATING COMPONENTS OR EQUIVALENT:

CONNECTOR 12052648

SYMBOL DEFINITION		MISSING NUMBERS	
A DIMENSION WITHOUT AN INSPECTION REPORT SYMBOL () DOES NOT REQUIRE INSPECTION. IT MAY BE CONTROLLED ON AN INDIVIDUAL COMPONENT DRAWING.	TOTAL NO. OF SYMBOLS ON DRAWING	24	
	LAST NO. USED	28	

DWO STATUS					REVISION HISTORY					AUTH	DR	APVD	APVD	
DATE	STG	REV	N/P	CHG	ZONE									
31MR00	R	01	-	-						REDRAWN TO PD AND ADDED MATING DETAIL	198646	EVV	JVM	KM
23JUN05	R	02	-	-						ADDED PED AND STAMP NOTE	269639	RH	RF	TP

DWO TYPE		PART DRAWING	
STYLE		DISTR CODE	D
VOLUME (CWP)			
UNLESS OTHERWISE SPECIFIED			
THIS DOCUMENT IS IN ACCORDANCE WITH ASME Y14.5M-1994 AS AMENDED BY THE 04 & 05A DIMENSIONING AND TOLERANCING ADDENDUM (2001). SEPARATE PATTERNING OF FEATURES MAY BE GIVEN SEPARATELY. REFINEMENT OF DATUM REFERENCES.			
ALL DIMENSIONS ARE IN MILLIMETERS			
REFERENCE			

2 PROCESS SENSITIVE DIMENSION		THIRD ANGLE PROJECTION		DO NOT SCALE	
DIMENSIONAL RANGE (MM)	CHART 05	USE MATH DATA		UNGRAPHS	
FROM 0	>12				
TO 15	>12				
TOLERANCE UNLESS OTHERWISE SPECIFIED	±0.1				
ANGULAR TOLERANCE 12°					

DELPHI	
DELPHI PACKARD ELECTRIC SYSTEMS WARREN, OH	
DR	DATE
APVD1 E. VAZQUEZ	31MR00
APVD2 J. VILLAMIL	06APO0
APVD3 KATHY MURPHY	06APO0
APVD4	
APVD5	
SUBSTANCES OF CONCERN AND RECYCLED CONTENT PER DELPHI 10949001	
MATERIAL SAE 30301 SST	
DRAWING NAME MOUN BRKT CLIP CONN	
DRAWING NUMBER 12092742	
SIZE A0	SCALE 5:1
FRAME NO 1	SHEET NO 1 OF 1
STG REV N/P R	02