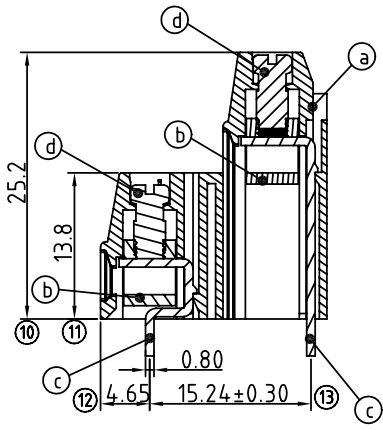
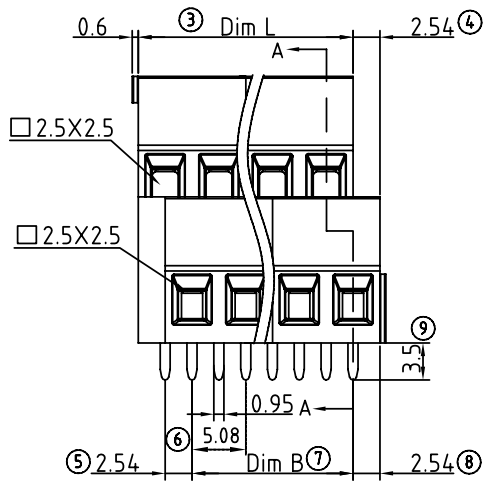


P.C.B LAYOUT



SECTION A-A

N = 1/2 Number of poles.
 Dim.L= N x 5.08
 Dim.B= (N-1) x 5.08

Poles Dim	2x2P-2x6P	2x7P-2x12P	2x13P-2x18P	2x19P-2x24P
Dim.L	±0.20	±0.30	±0.35	±0.45
Dim.B	±0.20	±0.25	±0.30	±0.40

SIGN	DATE	DESCRIPTION	APPROVER
△			

THIS IS CAD DRAWING, DO NOT REVISE MANUALLY!!!

Material

- Item a Terminal housing :Thermoplastic (UL 94V-0)
- Item b Clamp : Brass , Ni plated
- Item c Wire guard solder pin :Brass ,Tin plated
- Item d Terminal screw: Copper alloy "--"slot type Ni plated

Electrical cULus

- Voltage rating: 300VAC
- Current rating: 20A
- Wire range:
- Solid wire(AWG): 12-22
- Stranded wire(AWG): 12-22
- Torque(Lb-In): 5.0
- Screw: M3.0
- Wire strip length: 6-7mm
- Withstanding Voltage: 1.6KV
- Operating temperature: -40°C to +115°C
- Soldering temperature: 250°C±10°C/5 Sec
- Safety Approval: cULus

YL xx 61 x 1 xxxx G

		RoHS
		Pb<40,000ppm
No. of poles end stackable design	0 Black (RAL9005)	0000:"@"Logo (Standard)
04 2x2P CONTACTS	2 Red (RAL3001/D)	000A:"ANYTEK"Logo
06 2x3P CONTACTS	3 Orange(RAL2011/P)	Any special item by customer request,
... ..	4 Yellow(RAL1018/A)	please contact sales department.
48 2x24P CONTACTS	5 Green(RAL6018/T)	
	6 Blue (RAL5015/A)	
	8 Grey(RAL7035/D)	

ANYTEK

CUSTOMER COPY

ALL RIGHTS RESERVED. REPRODUCTION OR ISSUE TO THIRD PARTIES IN ANY FORM WHATSOEVER IS NOT PERMITTED WITHOUT WRITTEN AUTHORITY FROM THE PROPRIETOR. PROPERTY OF ANYTEK TECHNOLOGY CO., LTD

TITLE	YL-5.08mm Series "--" Right Solid block			
PART NO.	YLxx61x1xxxxG	DWG NO.	8YL0401	
APPROVED	CHECKED	DESIGNED	DRAWN	CUST NO.
		Kind 2009.10.06	Kind 2009.06.22	
				Tolerance
				X. ±0.50
				X.X ±0.30
				X.XX ±0.10
				X* ±1°
SHEET: 01/01				UNIT: mm SCALE: NONE REV.: B