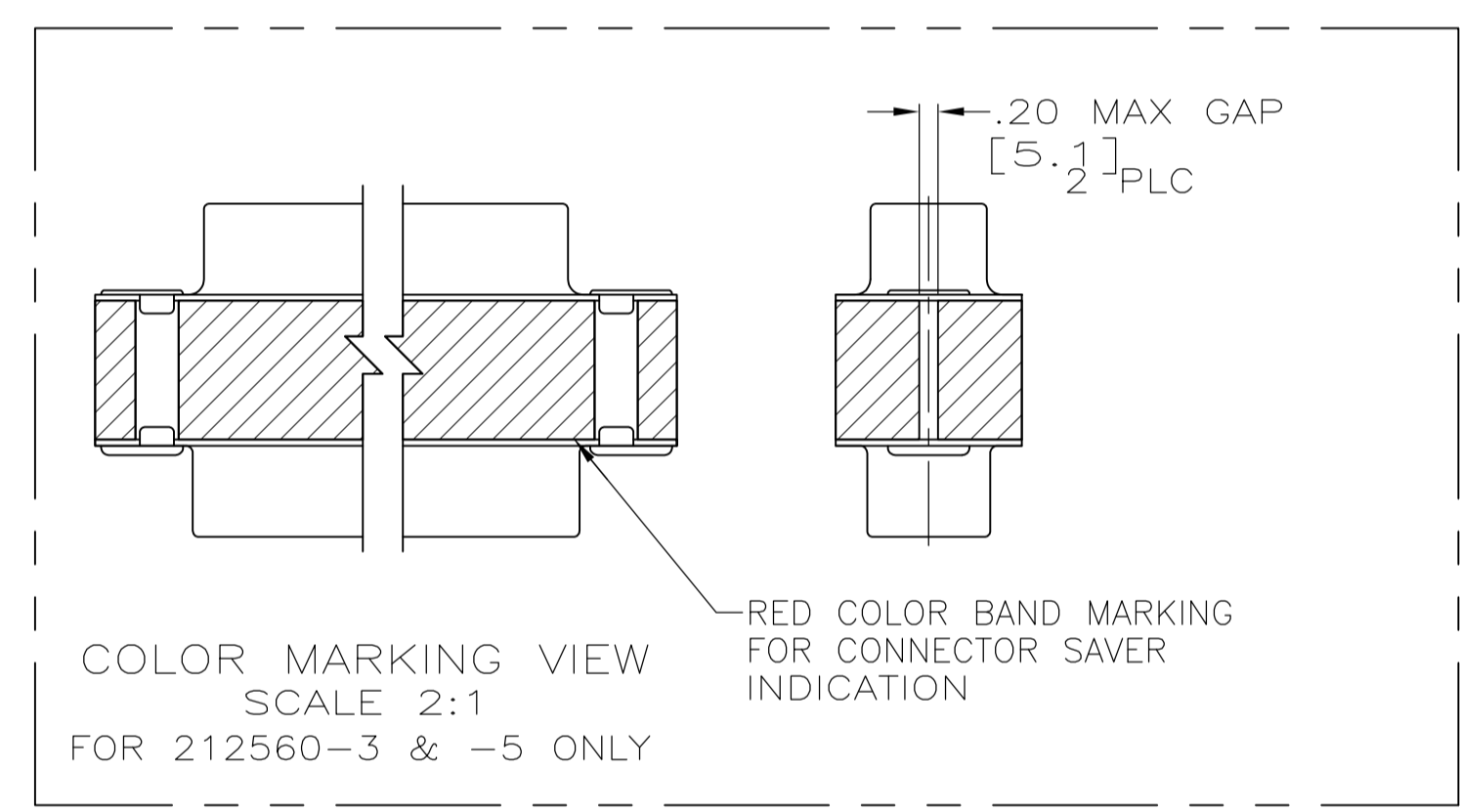
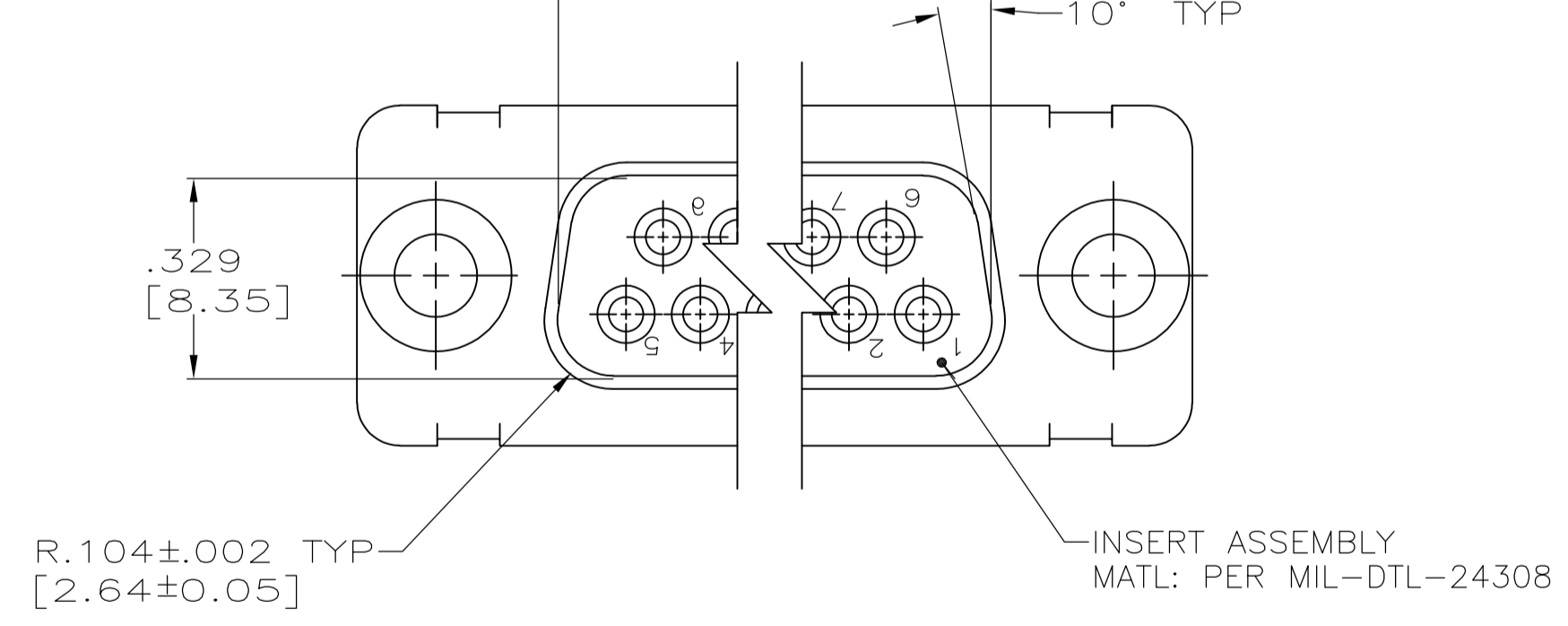
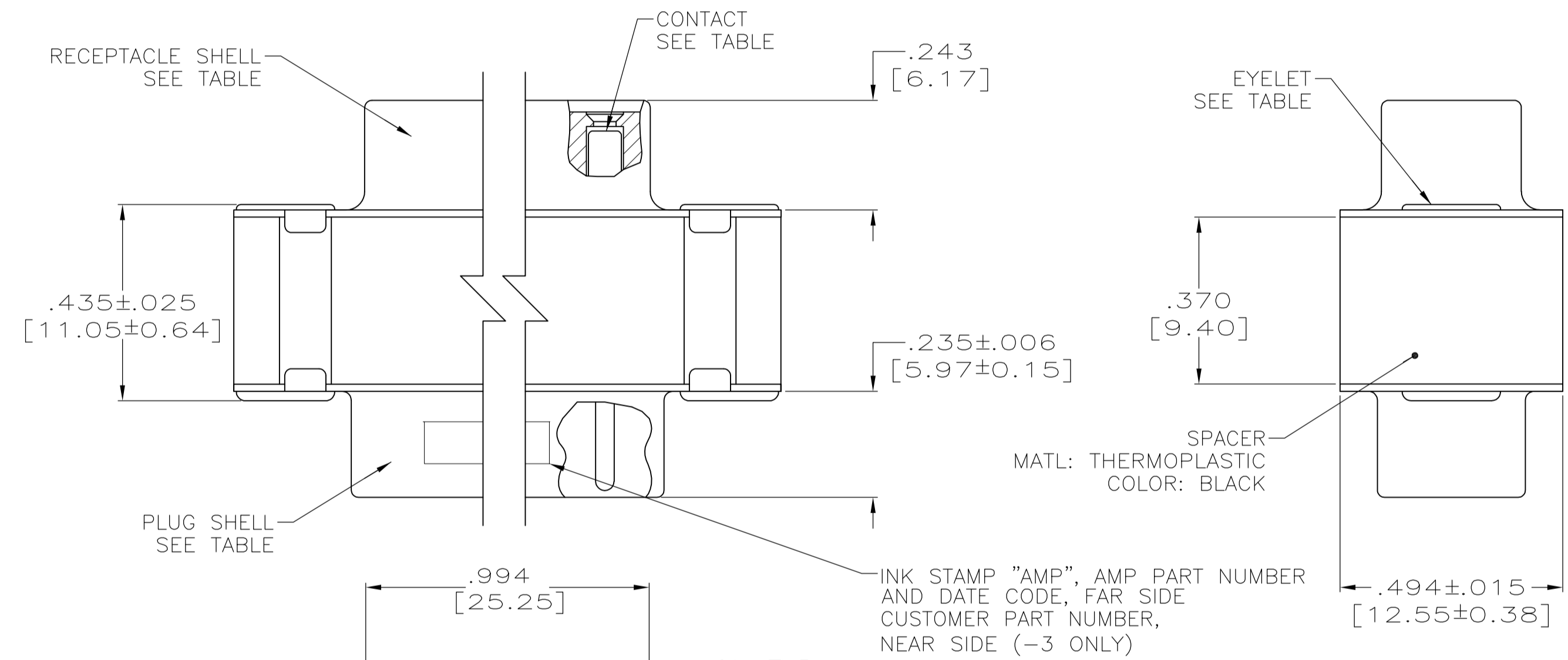
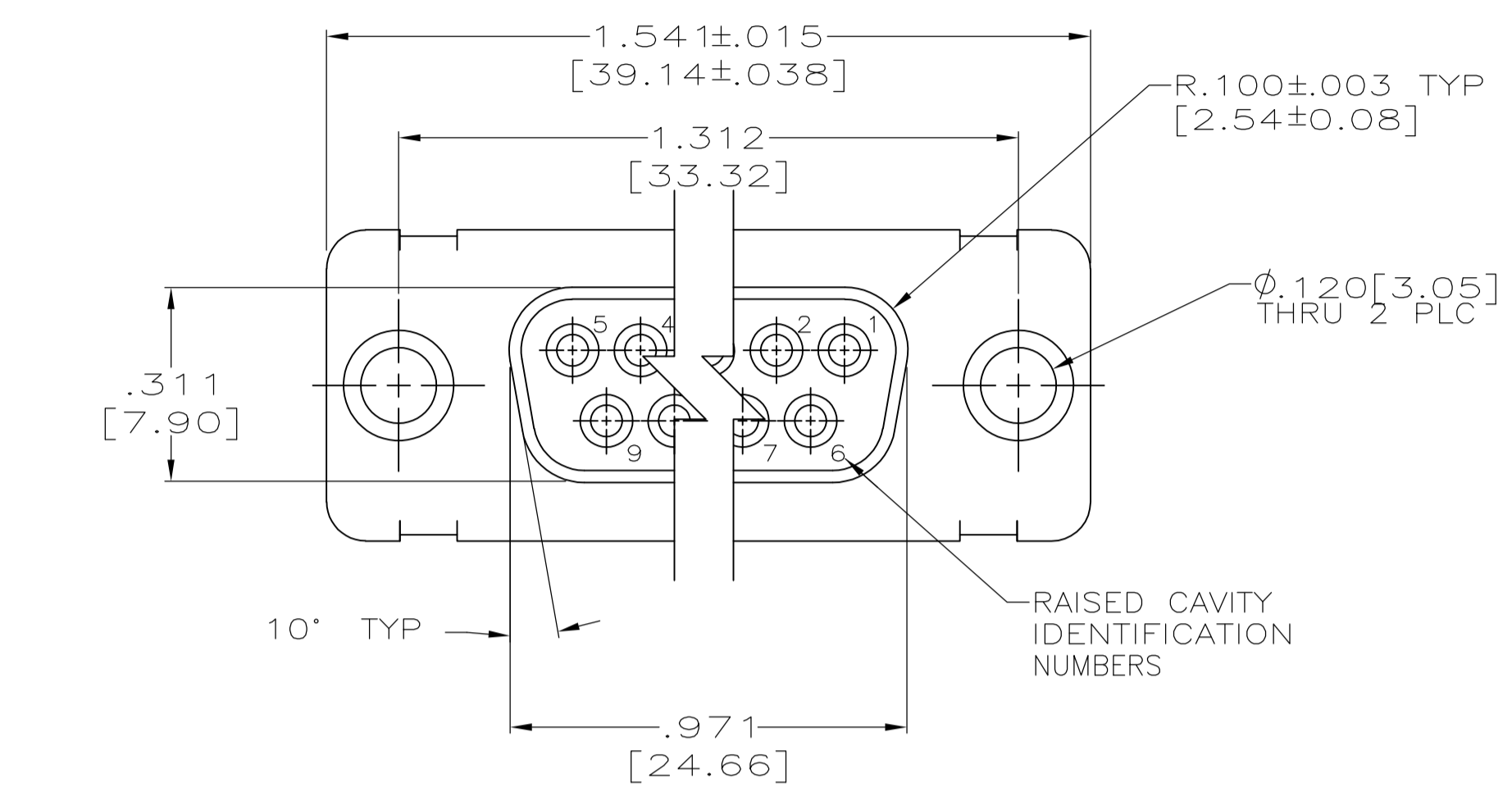


REVISIONS					
P	LTR	DESCRIPTION	DATE	DMN	APVD
S	REV PER ECO	17-000132	5-5-17	CT	DM



- CONTACTS INCLUDED IN ASSEMBLY.
- MATL: STEEL, PER ASTM-A-109.
- FINISH: CADMIUM PER QQ-P-416.
- CONTACT
- BODY MATL: BERYLLIUM COPPER PER ASTM-B-197. BODY FINISH: PLATED GOLD, .000050 MIN THK PER MIL-G-45204 OVER NICKEL, .000050 MIN THK PER QQ-N-290.
- HOOD MATL: STAINLESS STEEL PER ASTM-A-167. HOOD FINISH: PASSIVATED PER ASTM-A-380.
- FINISH: PLATED ZINC .00020 MIN THK PER ASTM-B-633. YELLOW CHROMATE FINISH.
- MATL: BRASS PER ASTM-B-36.
- FINISH: PLATED GOLD, .000050 MIN THK PER MIL-G-45204 OVER COPPER, .000100 MIN THK PER MIL-C-14550.
- CONTACT
- BODY MATL: BERYLLIUM COPPER PER ASTM-B-197. BODY AND HOOD FINISH: PLATED GOLD, .000050 MIN THK PER MIL-G-45204 OVER COPPER, .000100 MIN THK PER MIL-C-14550.
- HOOD MATL: BRASS PER ASTM-B-36
- FINISH: PLATED ZINC PER ASTM-B-633 .000200 MIN THK WITH SUPPLEMENTARY CHROMATE (Cr2+).

EYELET	SHELLS	CONTACT	CUSTOMER P/N	PART NO.
△6 △9	△9 △9	△4	-	5-212560-1
△6 △7	△7 △6	△8	PT2-111-8	1-212560-2
△6 △7	△7 △6	△4	4U884 SOCN R10002677-0102	212560-5
△6 △7	△7 △6	△4	(1J02-102)	212560-3
△6 △7	△7 △6	△8	-	212560-2
△6 △7	△7 △6	△4	-	212560-1
△6 △7	△7 △6	△4	-	212560-1

OBSOLETE

THIS DRAWING IS A CONTROLLED DOCUMENT.		DIN T. THOMPSON 11-07-94		TE Connectivity	
DIMENSIONS: INCHES		CHK D. MANTIONE 11-07-94		NAME	
TOLERANCES UNLESS OTHERWISE SPECIFIED:		APVD D. MANTIONE 11-07-94		PRODUCT SPEC	
0 PLC ± -		APPLICATION SPEC		SIZE	
1 PLC ± -		WEIGHT 0		CAGE CODE	
2 PLC ± -		A1 00779		DRAWING NO	
3 PLC ± .005 [0.13]		CUSTOMER DRAWING		RESTRICTED TO	
4 PLC ± -		SCALE 4:1		SHEET 1 OF 1	
ANGLES ± -		REV S			