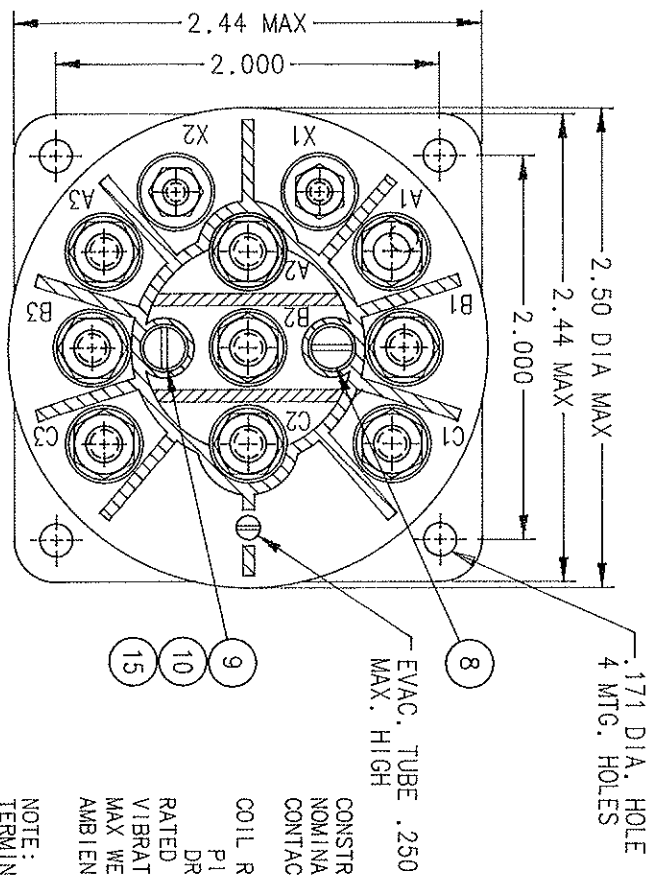


REV.	DESCRIPTION	DATE	APPROVED
T	32550 REDRAWN, REDIMENSIONED, FIND NOS 16 & 17 ADDED	97/04/03	[Signature]



NOTE:  
TERMINAL SHIELD IS NOTCHED FOR DRAINAGE.

CONSTRUCTION  
NOMINAL VOLTAGE  
CONTACT RATING

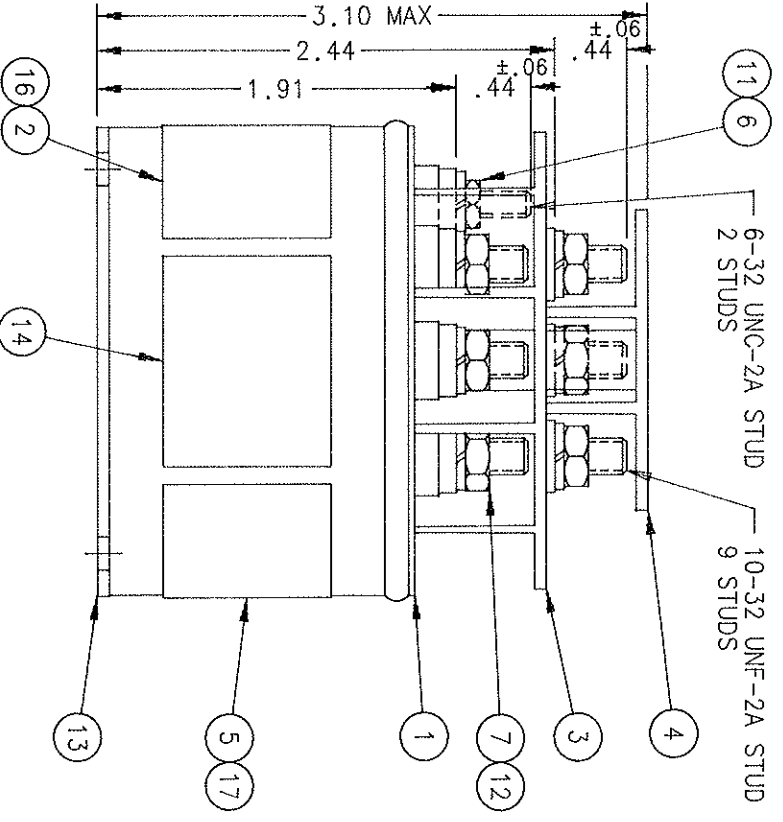
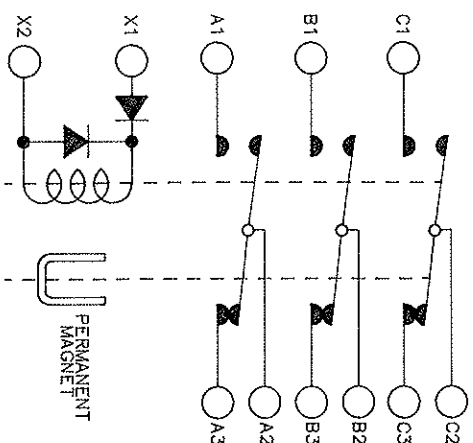
HERMETICALLY SEALED  
115 V, 400 HZ  
50 A, 120/208 V 400 HZ  
15 AMP, 28 VDC  
115 V

COIL RATING  
PICKUP  
DROPOUT  
RATED DUTY  
VIBRATION  
MAX WEIGHT  
AMBIENT TEMPERATURE

EVAC. TUBE .250  
MAX. HIGH

4 MTG. HOLES  
.171 DIA. HOLE

90 V MAX HOT  
45 V MAX HOT  
CONTINUOUS  
PROC 1, MIL-E-5272  
14 OZ  
-65°F TO 165°F



FIND NO	QTY	PART OR IDENTIFYING NO	NOMENCLATURE OR DESCRIPTION	FSCAL NO	DRAWING OR SPECIFICATION	MATERIAL OR NOTE
17	1	39529-033	OVERLAY-WIRING DIAGRAM			
16	1	39529-001	OVERLAY-NAMEPLATE			
15	2	51701-180	WASHER 3/16 X .103 X .094			MYLAR
14	1	17959-001	PLATE-WARNING			
13	1	19659-010	CONTACTOR ASSEMBLY-PRIMARY			
12	9	51810-054	WASHER-LOCK #10 SPLIT TYPE			BRONZE
11	2	51806-014	WASHER-LOCK #6 SPLIT TYPE			BRONZE
10	2	51805-011	WASHER-LOCK #5 SPLIT TYPE			BRONZE
9	1	51205-391	SCREW 5-40 X 1 1/8 RD HD			BRASS
8	1	51205-591	SCREW 5-40 X 3/8 RD HD			BRASS
7	9	50410-054	NUT 10-32 X 5/16 X 9/64 HEX			BRASS
6	2	50406-034	NUT 6-32 X 1/4 X 5/64 HEX			BRASS
5	1	17384-001	PLATE-WIRING DIAGRAM			
4	1	15553-001	SHIELD-TERMINAL			
3	1	13549-001	SHIELD-TERMINAL			
2	1	16043-001	PLATE-NAME			
1	1	13537-027	PLATE-BASE COVER			

2 PL DECALS PL DEC LANGLES	
*.03	*.010 * 1"

UNLESS OTHERWISE SPECIFIED DIMENSIONS ARE IN INCHES TOLERANCES IN	
DR BY	PLS 97/04/21
CHK BY	RS 97/04/23
ENGR	97/04/24
MFG	97/04/24

SIZE	CODE IDENT	DWG NO.
C	74063	DHR-7B

HARTMAN ELECTRICAL MANUFACTURING MANSFIELD, OHIO	
CONTACTOR-3PDT HERMETICALLY SEALED	