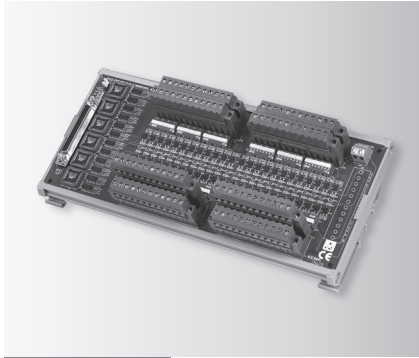


PCLD-8751 PCLD-8761 PCLD-8762

48-ch Opto-Isolated Digital Input Board

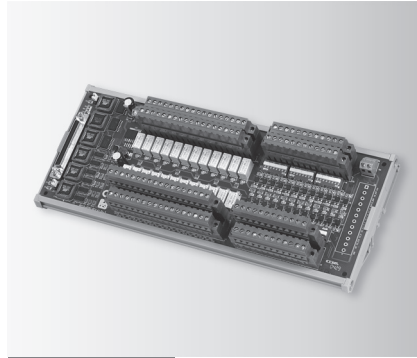
24-ch Opto-Isolated DI and 24-ch Relay Output Board

48-ch Relay Output Board



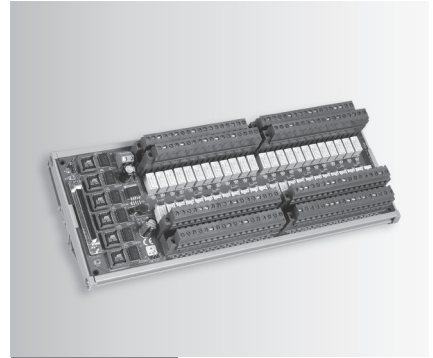
PCLD-8751

CE FCC



PCLD-8761

CE FCC



PCLD-8762

CE FCC

Features

- 48 optically-isolated digital input channels
- Built-in plug-in screw terminals for easier wiring
- LEDs indicate input logic status
- Input buffered with voltage comparators
- Wet/Dry contact set by DIP switches
- Input logic set by jumper
- Wide input range from 5 to 30 V

Specifications

Digital Input

- **Channels** 48 isolated digital inputs
- **Contact Mode** Wet contact
Dry contact (set by switch)
- **Isolation Voltage** 3,500 V
- **Logic Modes** Positive Logic
Negative Logic
(set by jumper)
- **Signal Voltage** 0 ~ 30 V
VIH (MIN) : 4 V,
VIL (MAX) : 1 V

General

- **Certification** CE, FCC
- **Connectors** Cable: SCSI-68 pin
Signals: Plug-in screw terminals (#14 - 24 AWG)
- **Dimensions** 255 x 121 mm
(10.04" x 4.76")
- **LED Indicators** One for each channel to indicate logic status
- **Mounting** DIN-rail

Ordering Information

- **PCLD-8751** 48-ch Opto-isolated Digital Input Board

Features

- Built-in plug-in screw terminals for easier wiring
- LED status indicators for D/I and relay output
- Digital inputs buffered with voltage comparators
- Wet/Dry contact set by DIP switches for D/I
- Wide input range from 5 to 30 V
- INT/EXT Power selection by jumper

Specifications

Digital Input

- **Channels** 24 IDI with LED
- **Contact Mode** Wet contact and dry contact for each IDI (set by switch)
- **Digital Input** 0 ~ 30 V VIH (MIN) : 4 V, VIL (MAX) : 1 V
- **Isolation Voltage** 3,500 V (Isolated DI), 1,500V (Relay)
- **Logic Mode (IDI and Relay are independent)** Positive Logic
Negative Logic
(set by jumper)

Relay Output

- **Channels** 24 SPDT (Form C)
- **Contact Rating** 30 V_{DC} @ 1 A,
120 V_{AC} @ 0.5 A
- **Contact Resistance** 100 mΩ
- **Electrical Endurance** 5 x 10⁷ times at 12 V/10 mA
- **Mechanical Endurance** 10⁸ times
- **Operation Time** 5 ms Max
- **Release Time** 6 ms Max

General

- **Certification** CE, FCC
- **Connectors** Cable: SCSI-68 pin
Signals: Plug-in screw terminals (#14 - 24 AWG)
- **Dimensions** 285 x 121 mm
(11.22" x 4.76")
- **Mounting** DIN-rail
- **Power Consumption** +5 V @ < 380 mA +50*n (mA)
+12 V @ < 240 mA +70*n (mA)
(*n indicate the number of relays)
- **Power Selection** PCI Bus or External power (7 ~ 30 V) by jumper

Ordering Information

- **PCLD-8761** 24-ch Opto-isolated DI and 24-ch Relay (SPDT) Output Board

Features

- Built-in plug-in screw terminals for easier wiring
- LED status indicators for Relay output
- DIN-rail mounting
- Onboard relay driver circuits

Specifications

Relay Output

- **Channels** 48 SPDT (Form C)
- **Contact Rating** 30 V_{DC} @ 1 A,
120 V_{AC} @ 0.5 A
- **Contact Resistance** 100 mΩ
- **Electrical Endurance** 5 x 10⁷ times at 12 V/10 mA
- **Mechanical Endurance** 10⁸ times
- **Operation Time** 5 ms Max
- **Release Time** 6 ms Max

General

- **Certification** CE, FCC
- **Connectors** Cable: SCSI-68 pin
Signals: Plug-in screw terminals (#14 - 24 AWG)
- **Dimensions** 285 x 117 mm
(11.22" x 4.61")
- **Mounting** DIN-rail
- **Power Input** Unregulated 7 ~ 30 V_{DC}
- **Power Consumption** 7 V @ 1.8 A,
30 V @ 0.45 A
(External power supply is required)

Ordering Information

- **PCLD-8762** 48-ch Relay (SPDT) Output Board