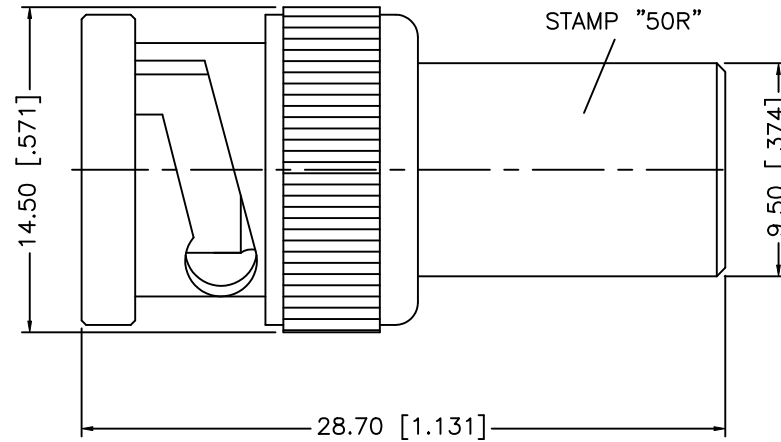


REV.	DATE	DESCRIPTION
A	08/25/99	MODIFY RESISTOR TOLERANCE VALUE (NOTE 2)
B	03/13/08	UPDATE DRAWING FORMAT



NOTES:

1. TESTING VALUE VSWR 1.2 MAX. AT 0.3 MHz~1 GHz
2. RESISTOR TOLERANCE 50ohm 1% 0.5 WATT

				UNLESS OTHERWISE SPECIFIED DIMENSIONS ARE IN MILLIMETERS. DIMENSIONS IN [] ARE IN INCHES AND FOR CUSTOMER REFERENCE ONLY.	APPROVALS	DATE	<h1>Amphenol Connex</h1>								
8				<p>UNLESS OTHERWISE SPECIFIED TOLERANCES FOR MILLIMETERS ARE: 0.5 - 8mm ± 0.20mm 8 - 30mm ± 0.40mm 30 - 120mm ± 0.50mm</p> <p>UNLESS OTHERWISE SPECIFIED TOLERANCES FOR INCHES ARE: .020 - .315 = ± 0.007" .315 - 1.180 = ± 0.015" 1.180 - 4.724 = ± 0.020"</p>	DRAWN	G.R.S.					03/13/08	BNC TERMINATOR PLUG - 50ohm			
7					CHECKED										
6					ISSUED										
5					SHEET	1 OF 1		202113							
4					CAD FILE							202113.DWG			
3	CONTACT PIN	BRASS	GOLD	1	DO NOT SCALE DRAWING			DWG. NO.	202113.DWG	REV.	B				
2	INSULATOR	TEFLON	NATURAL	1											
1	BODY	BRASS	NICKEL	1											
DESCRIPTION				MATERIAL	FINISH	QTY									