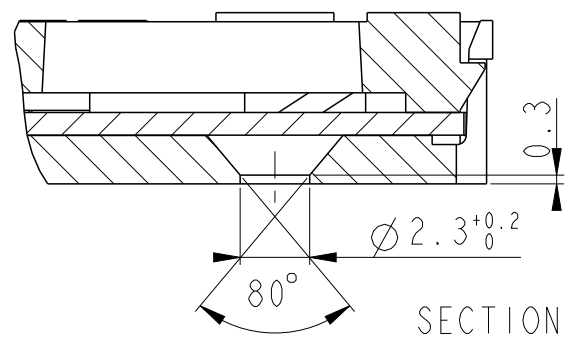
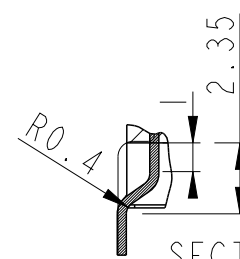
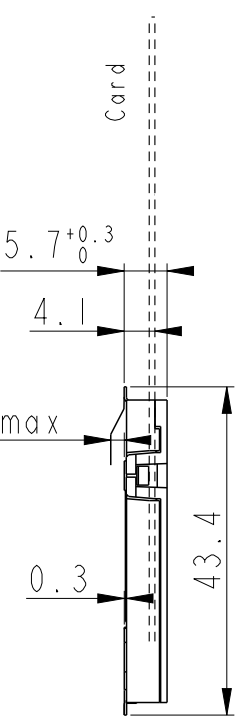
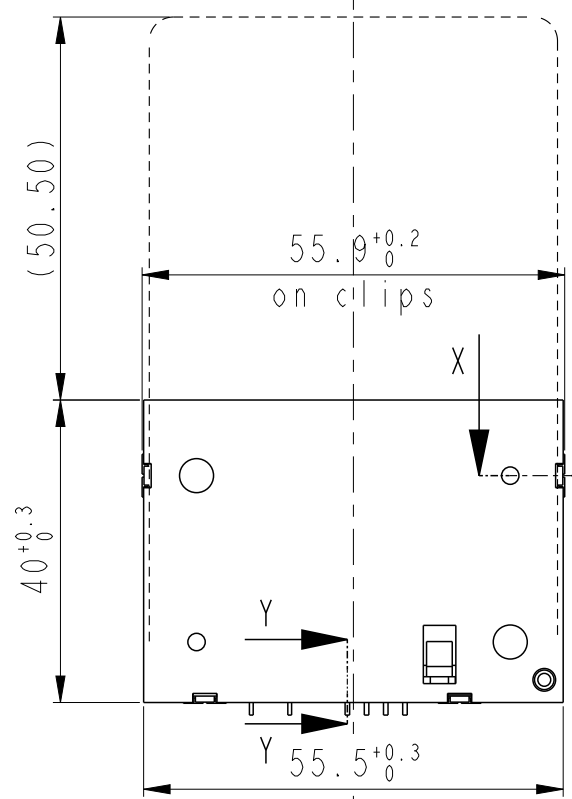


SCALE 1:1 CUT IN LOCK ONLY FOR COVER WITH LCP



SECTION X-X SCALE 4:1



SECTION Y-Y SCALE 4:1

**GENERAL :**  
 High cycle life duration smart card connector with landing type contacts mechanism. The landing type connector also provides the feature of recessed contacts when card is not inserted which protects them against vandalism.  
 Smart card for reference purposes only.

**ELECTRICAL PROPERTIES:**  
 Insulation resistance : > 1000MΩ  
 Dielectric withstanding voltage : >750 Vrms  
 Current carrying capacity : Min 10μA, Max 1A  
 Contact resistance : < 100mΩ

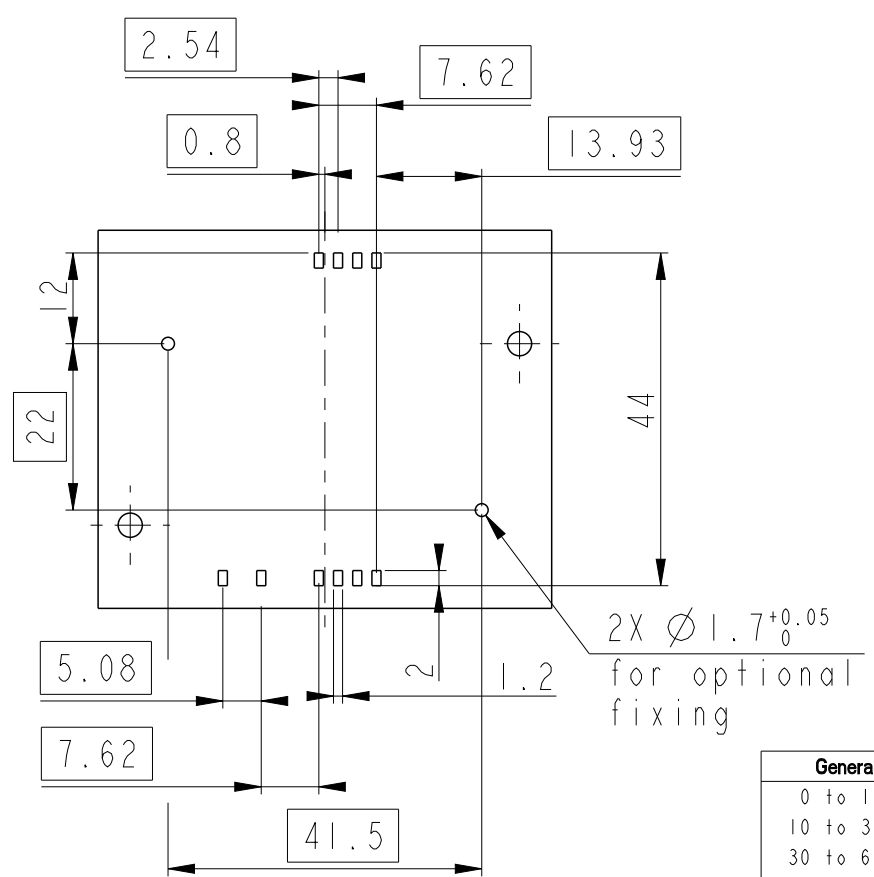
**MECHANICAL PROPERTIES :**  
 Operating force : Insertion : F < 10N  
 Withdrawal : 1 < F < 10N  
 Contact Normal force : 0.2 < F < 0.3 for 0.6mm of deflection  
 Durability : 200,000 mating cycles

**MATERIAL :**  
 Head reader : High temp. Thermoplastic, Black, Rated UL94V0  
 Cover : SEE TABLE, Rated UL94V0  
 Contacts : Copper alloy,  
 Plating : Nickel min. all over  
 Gold/Equivalent PdNi on contact area  
 Matte tin min. on solder tails

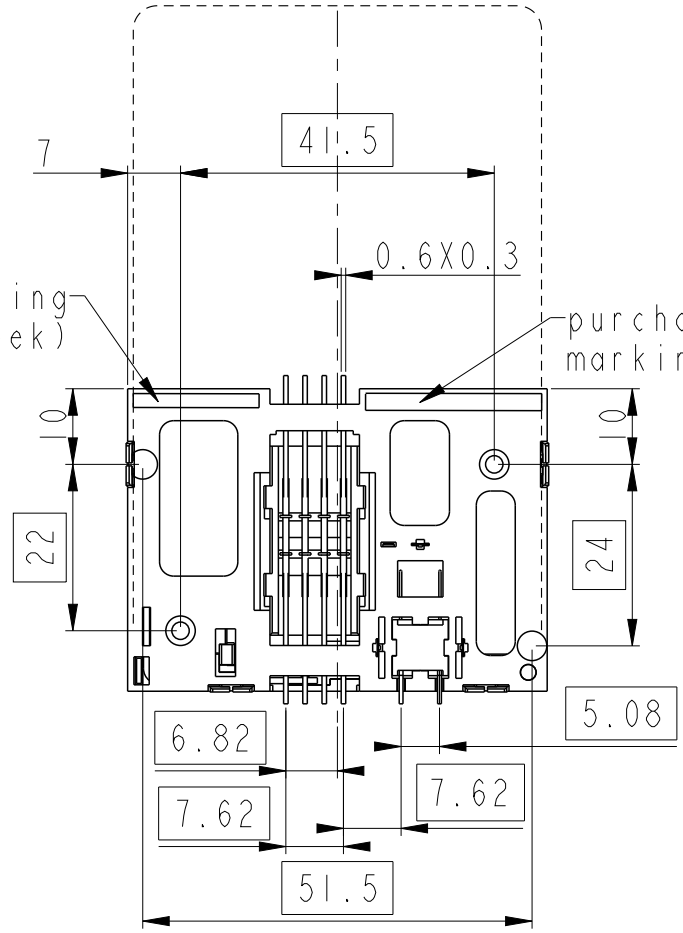
**ENVIRONMENT :**  
 Operating temperature : -40°C / +85°C  
 Climatic conditions : UTE 93-421

**PACKAGING :**  
 Plastic cavity tray

Recommended PCB Layout (Component side)



manufacturing date (year-week) purchase number marking



LEAD FREE VERSION:

"This product meets European Union Directives and other country regulations as described in GS-47-0004"

The housing will withstand exposure to 260°C peak temperature for 10seconds in a convection reflow oven.

PART NUMBER	COVER MATERIAL	MARKING	LEAD FREE VERSION
7311E0225S01	LCP (BLACK)	NO	7311E0225S01LF
7411E0225S01	PA46 (GREY)	YES	7411E0225S01LF
7711E0225S01	LCP (BLACK)	NO	7711E0225S01LF



Copyright FCI.

spec ref	--	dr	P-Mathew Nebu	2011/05/04	projection	mm	size	A3	scale	1:1			
tolerance std	ISO 406 ISO 1101	eng	P-Mathew Nebu	2014/03/03			ecn no	ELX-15846-1					
	TOLERANCES UNLESS OTHERWISE SPECIFIED	chr	-	rel level			Released						
General Tolerances	surface	ISO 1302	linear	0.X ±	0.XX ±	0.XXX ±	angular	0° ±		<b>8 POS. SMT E02 WITHOUT PEGS</b> SMART CARD READER VXX 27819	cat. no. - Product - Customer Drw	title VJW54001	rev <b>J</b>
0 to 10mm: ±0.1mm	ISO 1302	angular	0° ±	www.fci.com	cat. no.	-	Product - Customer Drw	sheet 1 of 1					