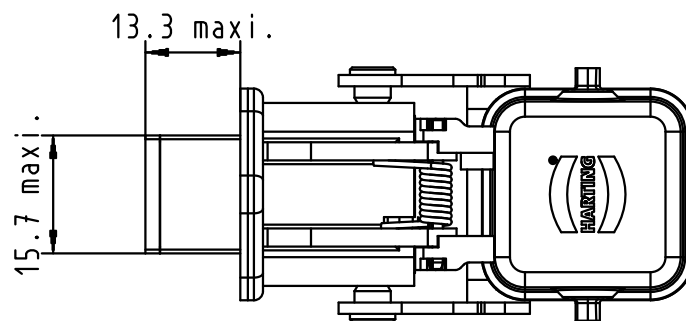
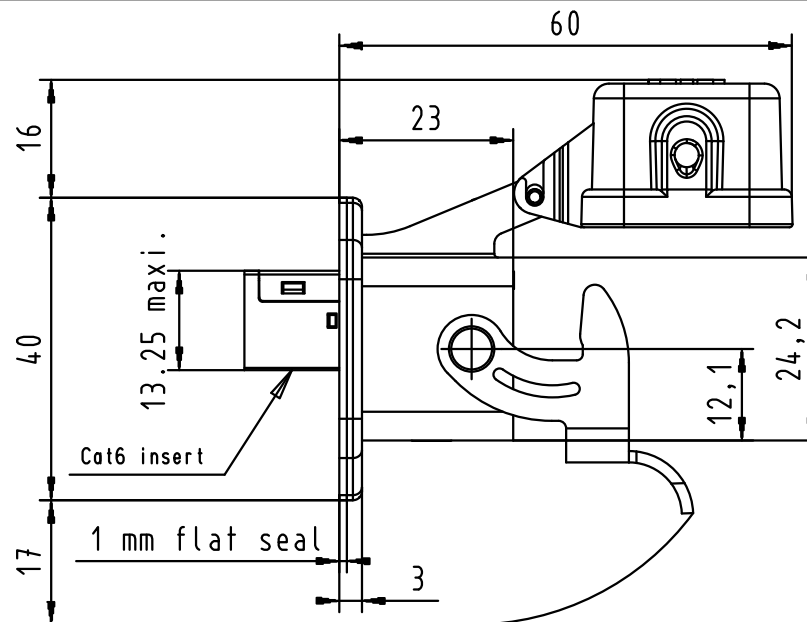
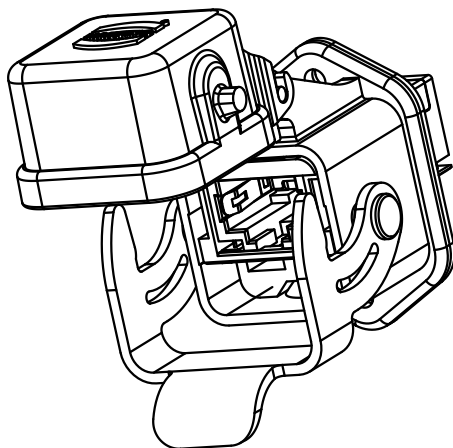
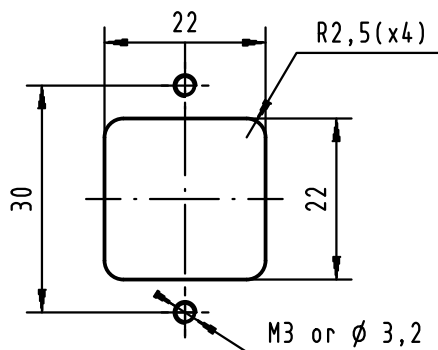




IEC 60603-7



compatible with IEC 60076-3-106 variant 05  
 connectors pitch on panel:  
 axis X = 36 mm  
 axis Y = 75 mm

recommended panel cutout



				Dot.	Name	 All Dim. in mm Orig. Size DIN A 4	RJ Industrial metal Han 3A RJ 45 panel feed through Cat.6 standard selfclosing protection cover	Maßstab/ Scale  1:1
			Detail.	25/05/10	AB			
			Insp.					
			Stand.					
36075	25/05/10	AB	HARTING EURL F-95972 Paris				TB 09 45 215 1562	Blatt/ Page 1 / 1
Mod.	Dot.	Name	Sub.					