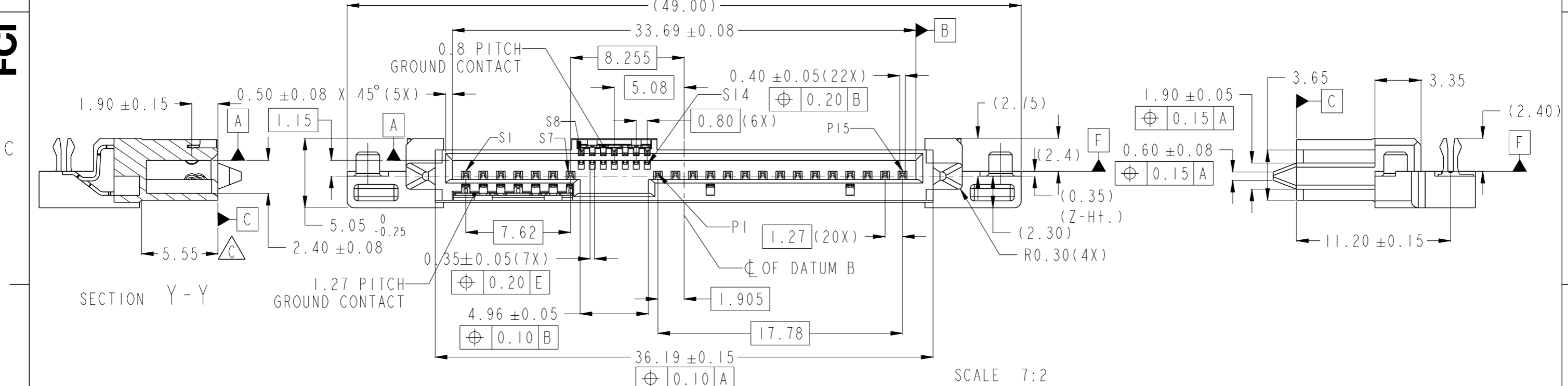
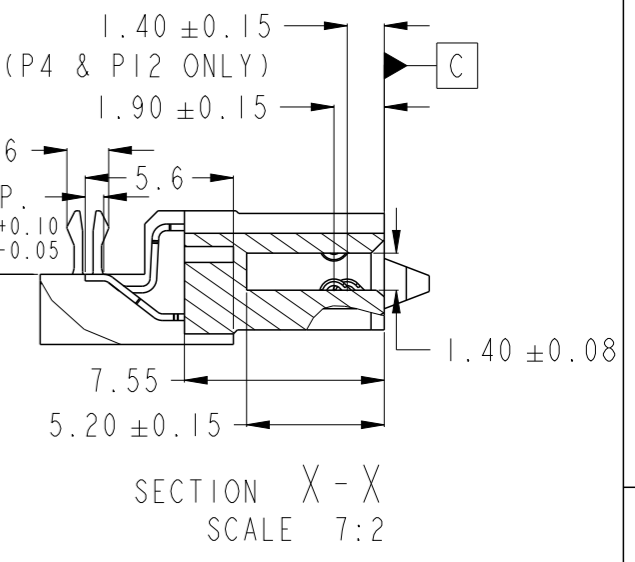
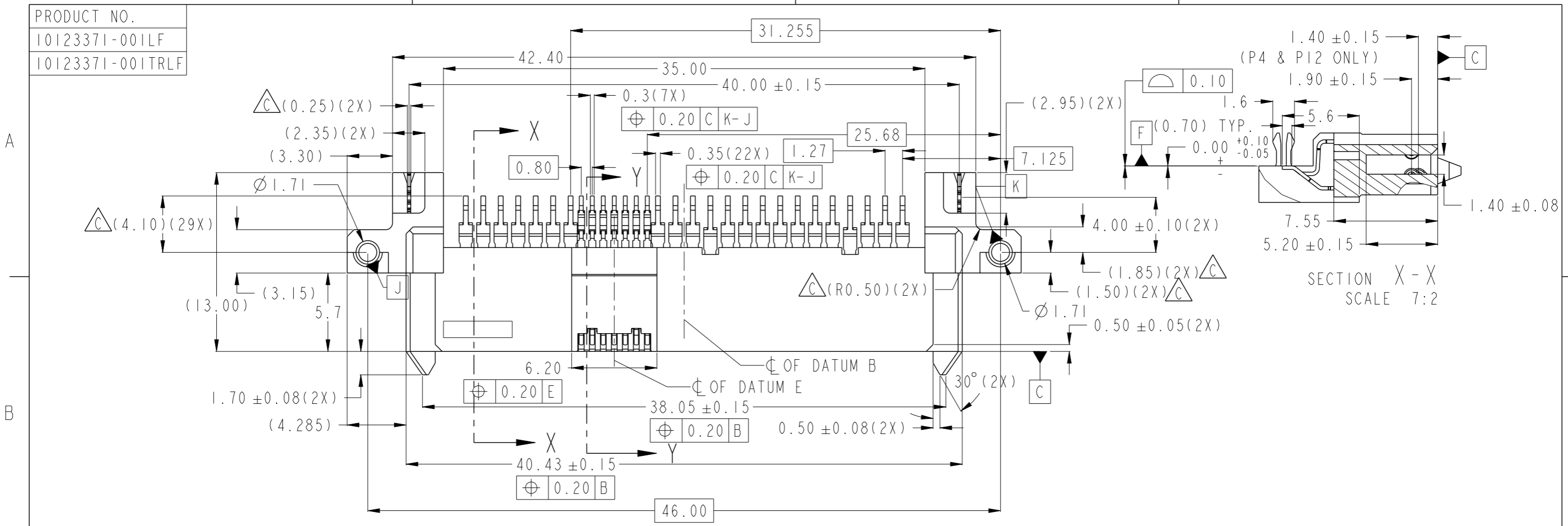


PRODUCT NO.
10123371-001LF
10123371-001TRLF

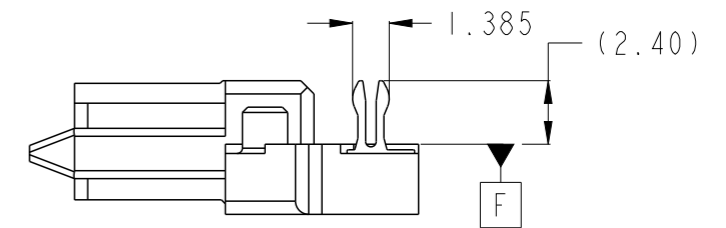
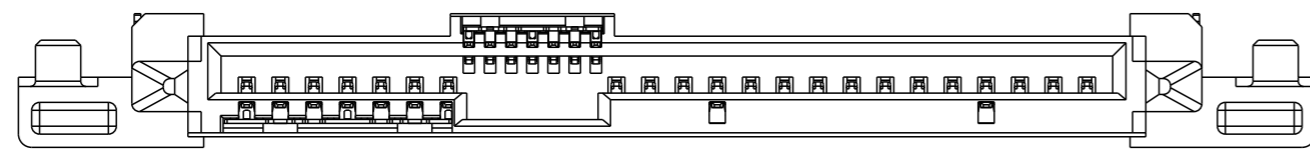
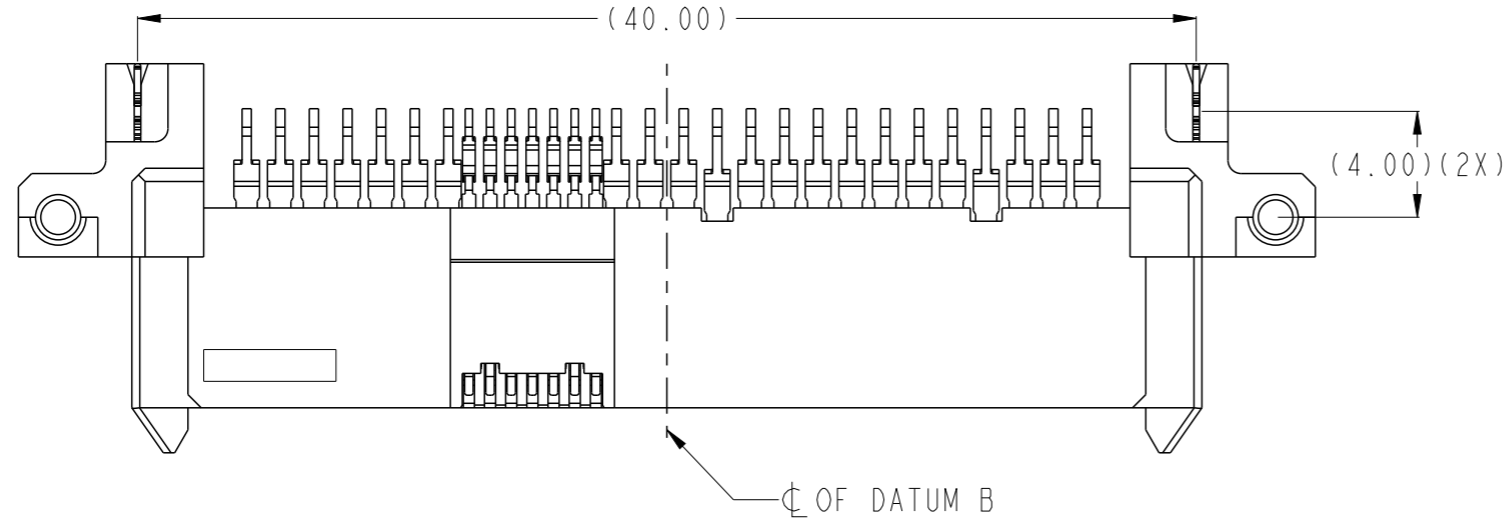


Amphenol FCI

© 2016 AFCI

spec ref	-	dr	Jeffrey Lim	2014/12/17	projection	MM	size	A3	scale	7:2								
tolerance std	TOLERANCES UNLESS OTHERWISE SPECIFIED	eng	Jeffrey Lim	2018/07/31			ecn no	ELX-S-30826-1	rel level	Released								
surface	<table border="1"> <tr> <td>linear</td> <td>0.X</td> <td>±</td> </tr> <tr> <td></td> <td>0.XX</td> <td>±0.20</td> </tr> <tr> <td></td> <td>0.XXX</td> <td>±</td> </tr> <tr> <td>angular</td> <td>0°</td> <td>±2°</td> </tr> </table>	linear	0.X	±				0.XX		±0.20		0.XXX	±	angular	0°	±2°	appr	Koon-Poh Tay
linear	0.X	±																
	0.XX	±0.20																
	0.XXX	±																
angular	0°	±2°																
		Amphenol FCI			12G SAS RECEPTACLE R/A ASSY, Z-HT. 0.35		dwg no	10123371	rev	C								
		cat. no.			Product - Customer Drw			sheet 1 of 3										

PRODUCT NO.
 10123371-002LF
 10123371-002TRLF

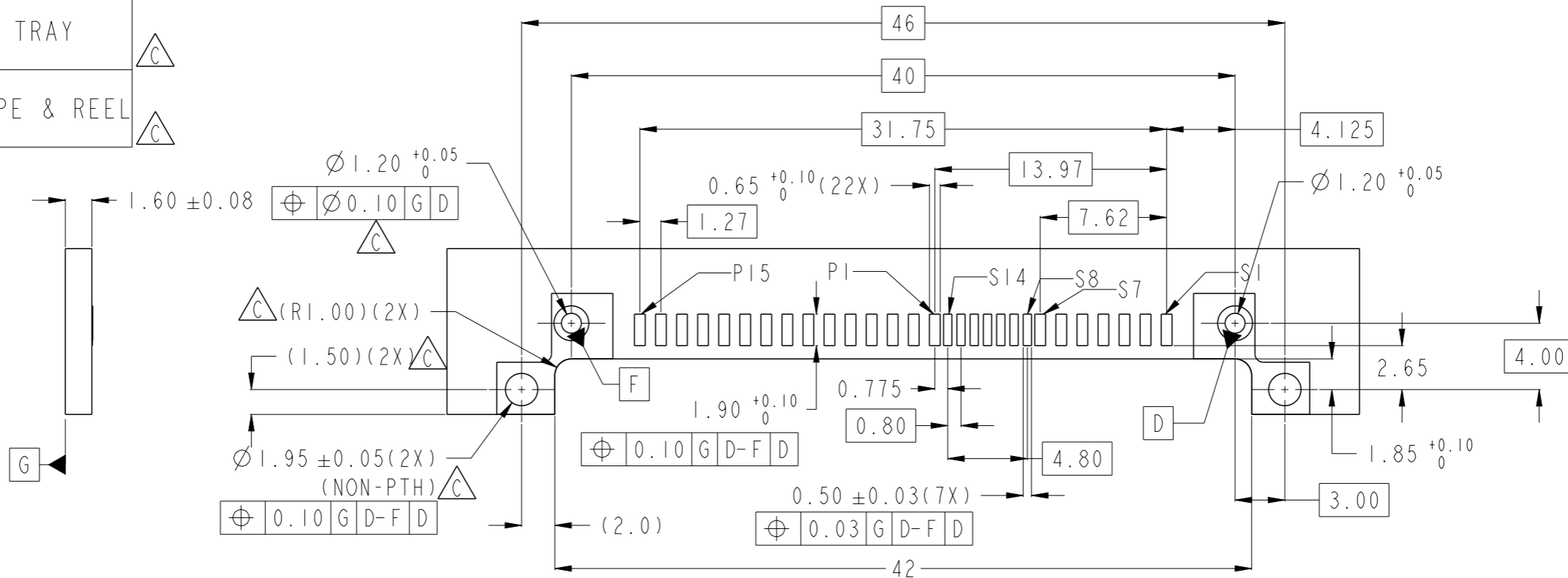


SCALE 7:2

FOR MORE DIMENSIONS, REFER TO -001LF

spec ref	-	dr	Jeffrey Lim	2014/12/17	projection	MM	size	A3	scale	1:1												
tolerance std	TOLERANCES UNLESS OTHERWISE SPECIFIED	eng	Jeffrey Lim	2018/07/31			ecn no	ELX-S-30826-1														
-		chr	-	-			rel level	Released														
surface	<table border="1"> <tr> <td>linear</td> <td>0.X</td> <td>± -</td> </tr> <tr> <td></td> <td>0.XX</td> <td>±0.20</td> </tr> <tr> <td></td> <td>0.XXX</td> <td>± -</td> </tr> <tr> <td>angular</td> <td>0°</td> <td>±2°</td> </tr> </table>	linear	0.X	± -		0.XX	±0.20		0.XXX	± -	angular	0°	±2°	appr	Koon-Poh Tay	2018/08/15	product family	12G SAS RECEPTACLE	dwg no	10123371	rev	C
linear	0.X	± -																				
	0.XX	±0.20																				
	0.XXX	± -																				
angular	0°	±2°																				
-		cat. no.	R/A ASSY, Z-HT. 0.35		Product - Customer Drw		sheet 2 of 3															

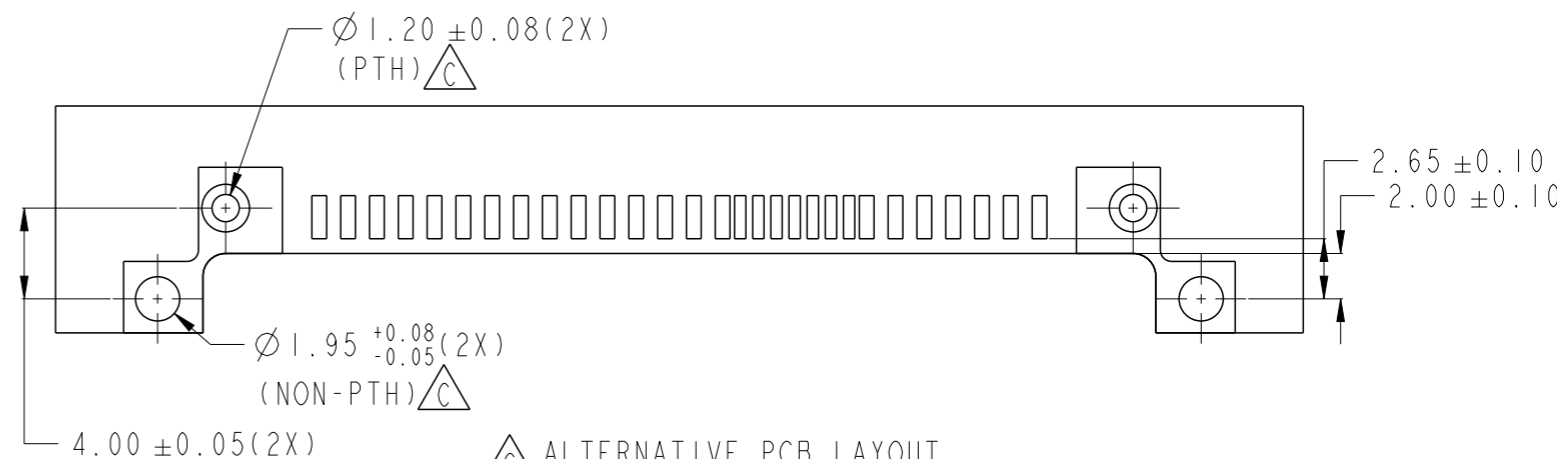
PRODUCT NO.	PACKAGING
10123371-001LF	TRAY
10123371-002LF	
10123371-001TRLF	TAPE & REEL
10123371-002TRLF	



SCALE 3:1
RECOMMENDED PCB LAYOUT
 (GENERAL TOLERANCE: ±0.05)

NOTES:

- MATERIALS:
 - HOUSING: HIGH TEMP THERMOPLASTIC, UL 94V-0, COLOUR: BLACK
 - TERMINAL, FORK-LOCK CLIP AND GROUND CONTACT: COPPER ALLOY
- FINISH:
 - TERMINAL: 30u" MIN Au PLATING (CONTACT POINT) OVER 50u" MIN NICKEL
 - SOLDER TAIL: 100u" MIN TIN OVER 50u" MIN NICKEL
 - FORK-LOCK CLIP: 100u" MIN TIN OVER 50u" MIN NICKEL
- PRODUCT SPECIFICATION : GS-12-1120
- PACKAGING SPECIFICATION: GS-14-841(TRAY); GS-14-966(TAPE & REEL)
- THIS PRODUCT IS COMPLY WITH SFF-8680 SPECIFICATION
- THIS PRODUCT MEETS EUROPEAN UNION DIRECTIVES AND OTHER COUNTRY REGULATIONS AS DESCRIBED IN GS-47-0004
- THE HOUSING WILL WITHSTAND EXPOSURE TO 260° PEAK TEMPERATURE FOR 10 SECONDS IN A CONVECTION, INFRA-RED OR VAPOR PHASE REFLOW OVEN
- A SYMBOL $\triangle C$ WILL BE NEXT TO ANY DIMENSION, VIEW, OR NOTE WHICH HAS BEEN MODIFIED WITH THE CURRENT DRAWING REVISION



$\triangle C$ ALTERNATIVE PCB LAYOUT
 (REFER TO RECOMMENDED PCB LAYOUT FOR UNSPECIFIED DIMENSIONS)

SCALE 3:1

spec ref	-	dr	Jeffrey Lim	2014/12/17	projection	MM	size	A3	scale	1:1
tolerance std	TOLERANCES UNLESS OTHERWISE SPECIFIED	eng	Jeffrey Lim	2018/07/31		← →	ecn no	ELX-S-30826-1	rel level Released	
-	-	chr	-	-			product family	-		
surface	linear	0.X	± -	Amphenol FCI	12G SAS RECEPTACLE R/A ASSY, Z-HT. 0.35		dwg no	10123371		rev
-	0.XX	±0.20								
-	0.XXX	± -								
-	angular	0°	±2°	cat. no.	-	Product - Customer Drw	sheet 3 of 3			