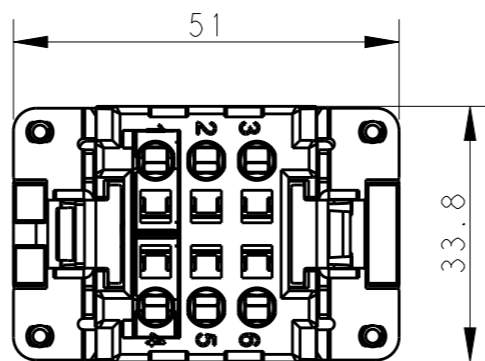
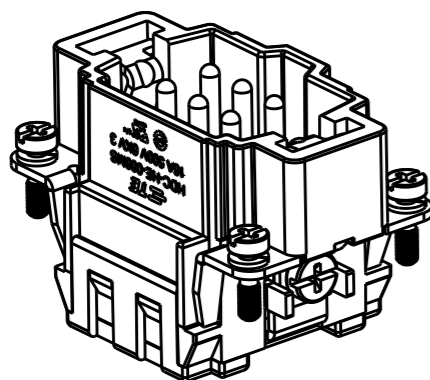


REVISIONS

P	LTR	DESCRIPTION	DATE	DWN	APVD
A		INITIAL RELEASE	06APR2015	GY	CW
B		ECR-15-013759	29SEP2015	DW	CW

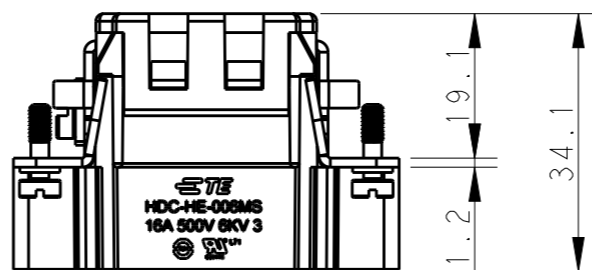
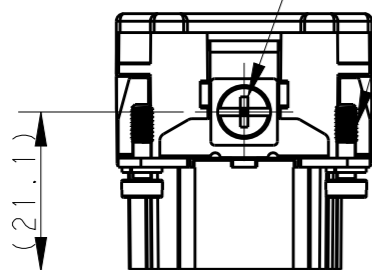


NOTES:

- TECHNICAL CHARACTERISTICS:
 - INSULATION MATERIAL: PC
 - RATED VOLTAGE: 500V
 - RATED CURRENT: 16A
 - INSULATION RESISTANCE: $\geq 400M\Omega$
 - RATED IMPULSE VOLTAGE: 6KV
 - POLLUTION DEGREE: 3
 - FLAMMABILITY: UL94V-0
 - MATING CYCLES: 500 CYCLES
 - OPERATION TEMPERATURE: $-40^{\circ}C \sim +125^{\circ}C$
 - WIRE RANGE: $0.5mm^2 \sim 2.5mm^2$ (AWG20-AWG14)
 - CONTACT TYPE: SPRING CLAMP

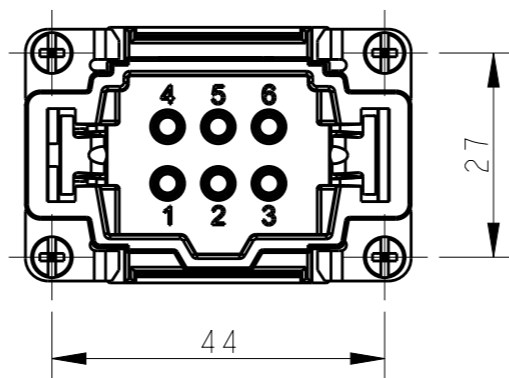
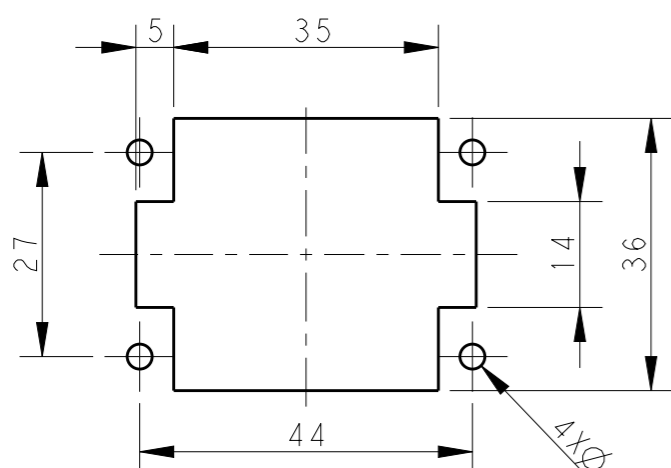
M4 screw, recommended tightening torque 1.2Nm

4 X M3 screw, recommended tightening torque 0.5Nm



注释:

- 技术参数:
 - 绝缘材料: PC
 - 额定电压: 500V
 - 额定电流: 16A
 - 绝缘电阻: $\geq 400M\Omega$
 - 脉冲电压: 6KV
 - 污染等级: 3
 - 阻燃等级: UL94V-0
 - 插拔次数: 500 次
 - 工作温度: $-40^{\circ}C \sim +125^{\circ}C$
 - 接线范围: $0.5mm^2 \sim 2.5mm^2$ (AWG20-AWG14)
 - 接线类型: 弹片压接



不使用防护外壳时芯件的安装开孔图
 Panel cut our for inserts for use without hoods/housings

HE-006-MS	T2040063101-000
DESCRIPTION	PART NUMBER

THIS DRAWING IS A CONTROLLED DOCUMENT.		DWN	Gino.Yao	06APR2015	 TE Connectivity	NAME	HE-006-MS		
DIMENSIONS:		CHK	Chris.Wang	06APR2015					
mm		APVD	Xiang.Xu	06APR2015					
TOLERANCES UNLESS OTHERWISE SPECIFIED:		PRODUCT SPEC	108-137044						
0 PLC ±- 1 PLC ±- 2 PLC ±- 3 PLC ±- 4 PLC ±- ANGLES ±-		APPLICATION SPEC	114-137044		SIZE	CAGE CODE	DRAWING NO	RESTRICTED TO	
MATERIAL		WEIGHT	-		A3	00779	©-T2040063101000	-	
FINISH		Customer Drawing		SCALE	1:1	SHEET	1 OF 1	REV	B